

# BAXI



Prime HT  
Only Heating

**SPARE PARTS CATALOGUE**

**- March 2011 -**



# HOW TO READ THE SPARE PARTS CATALOGUE

In the spare part catalogue, after the exploded diagrams, there are the components lists of the boilers; this is the meaning of the different columns:

Pos.	Identification number of the component in the exploded diagram of the boiler.
Description	Short description of the component.
Code	BAXI S.p.A. code of the component.
Tab. XX	XX is the exploded diagram number of the boiler taken into consideration.
From serial number	Date (year and week) identifying the beginning of production of a component (taken from the serial number of the boiler). e.g. B005: year 2000 (B identifies the decade 2000-2009; 0 identifies the year) – 5th week. If the box is empty, the component is in use from the beginning of production of the boiler.
To serial number	Date (year and week) identifying the end of production of a component (taken from the serial number of the boiler). e.g. B012: year 2000 (B identifies the decade 2000-2009; 0 identifies the year) – 12th week. If the box is empty, the component is still in use.
Interchangeable	It identifies the interchangeability between the new component and the old one. YES: components are interchangeable. NO: components are not interchangeable.







# Prime HT

## Only Heating

Pos	Code	Description code	HLB435243006	HLB435243005	HLB435243004	HLB435243002/3	HLB435243001	HLB435123006	HLB435123005	HLB435123003/4	HLB435123002	HLB435123001	To serial number	From serial number	Interchangeable:
			1.240	1.240	1.240	1.240	1.120	1.120	1.120	1.120	1.120				
113	617100	BY-PASS GR.	•	•	•	•	•	•	•	•	•	•			
119	605760	HYDRAULIC VENTURI ASSEMBLY	•	•	•	•	•	•	•	•	•	•			
120	600750	SPACER ASSEMBLY	•	•	•	•	•	•	•	•	•	•			
131	8434840	NTC SENSOR	•	•	•		•						B615		YES
131	8435400	NTC SENSOR					•	•						B616	
131	8435400	NTC SENSOR	•	•	•			•	•	•					
132	5402830	WASHER - SENSOR SEALING	•	•	•	•	•	•	•	•	•	•			
134	5212120	INJECTOR	•	•	•	•	•								
134	5212140	INJECTOR						•	•	•	•	•			
135	9950760	THERMOSTAT - LIMIT	•	•	•	•	•	•	•	•	•	•			
136	5672050	PIPE	•	•	•			•	•	•					
136	5681400	PIPE ASS.(3 WAY VALVE/EXCHANG)					•	•							
138	5402010	O RING 22.22x2.62	•	•	•	•	•	•	•	•	•	•			
139	5206620	CONNECTOR-GAS VALVE INLET	•	•	•	•	•	•	•	•	•	•			
140	5671930	GAS VALVE	•	•	•	•	•	•	•	•	•	•			
147	5664340	TRAVERSE	•	•	•			•	•	•					
147	5694730	TRAVERSE					•	•							
151	5407650	ELECTRICAL BOX COVER	•	•	•	•	•	•	•	•	•	•			
152	5672110	PRINT.CONTR.PAN.PRIME HT 1.240						•	•	•	•	•			
152	5672120	PRINT.CONTR.PAN.PRIME HT 1.120	•	•	•	•	•								
153	5407660	PANEL - ACCESS	•	•	•	•	•	•	•	•	•	•			
154	5676120	PCB SIEMENS LMU34 WITH INSTRUC	•	•	•			•	•	•			B540		YES
154	5680240	PCB LMU 34 SIEMENS	•	•	•			•	•	•			B620	B541	YES
154	5684110	PCB LMU 34 B	•	•	•			•	•	•			B635	B621	YES
154	5686050	GR.SCHEDA LMU 34 B C/ISTRUZ.					•	•					B944		
154	5686050	GR.SCHEDA LMU 34 B C/ISTRUZ.	•	•	•			•	•	•			B944	B636	
154	5703660	PCB LMU34 WITH INSTR.VERS.2.09													
154	5703660	PCB LMU34 WITH INSTR.VERS.2.09	•	•	•	•	•	•	•	•	•	•		B945	YES
166	8421590	TERMINAL BLOCK	•	•	•	•	•	•	•	•	•	•			

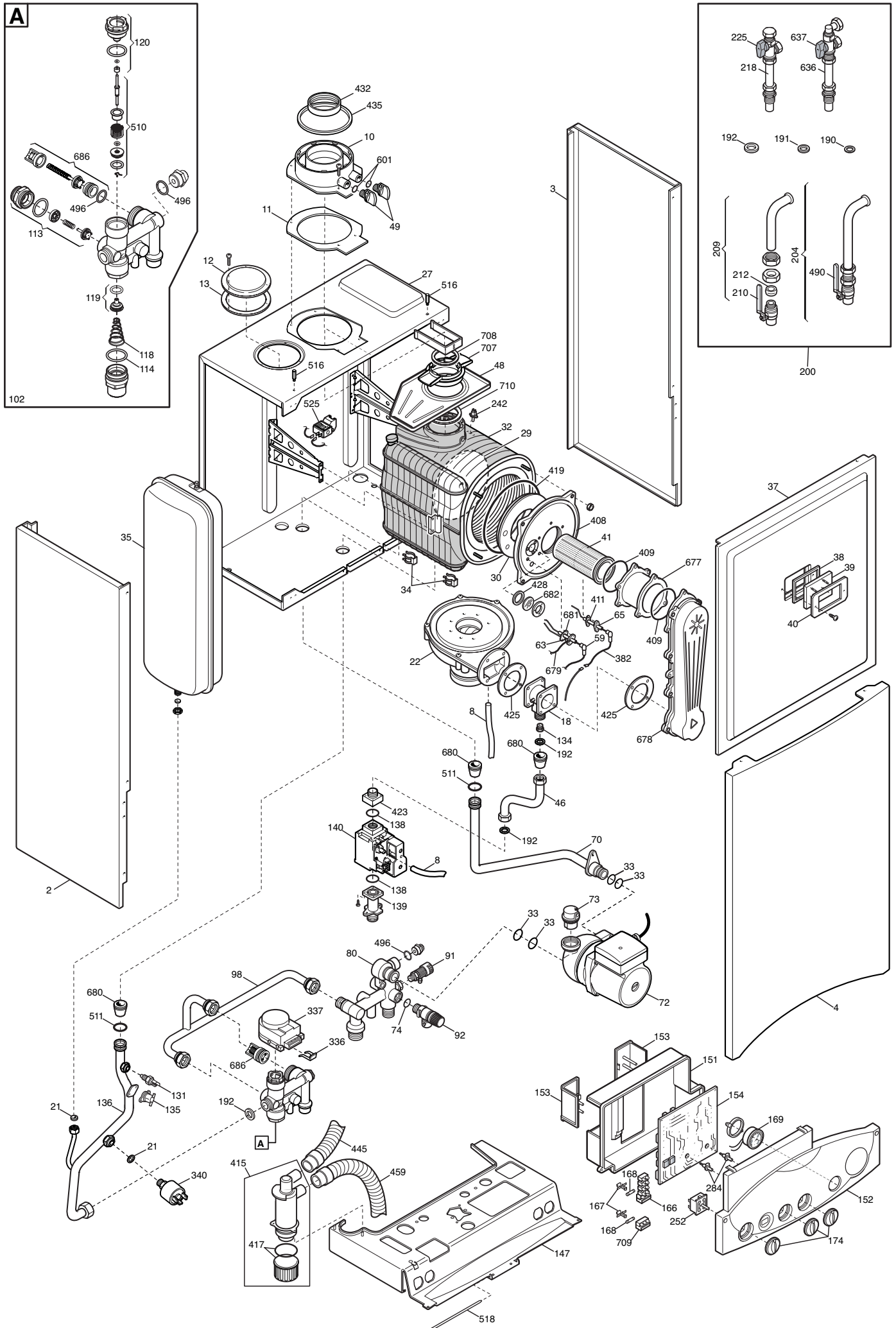




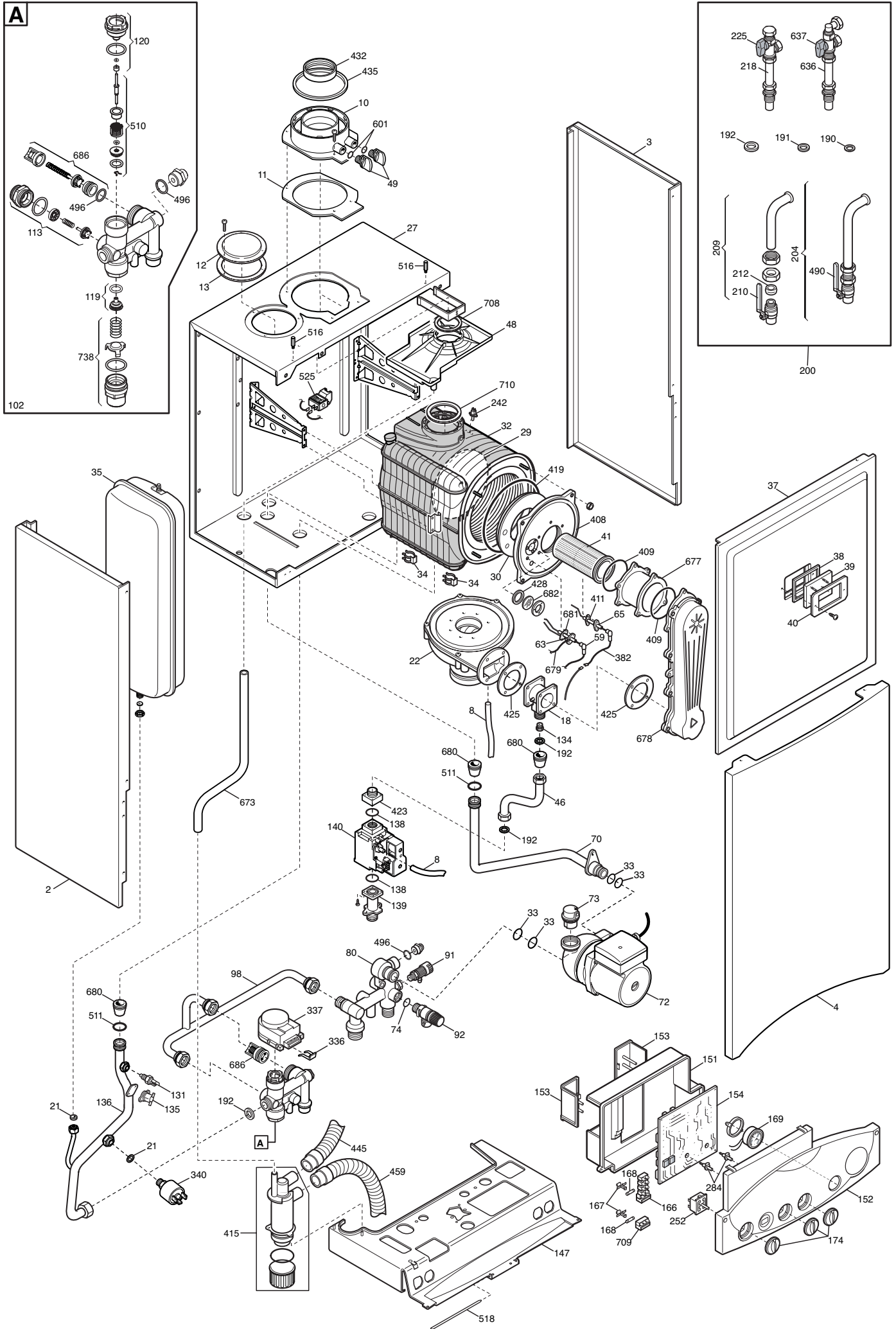




# Tab 133



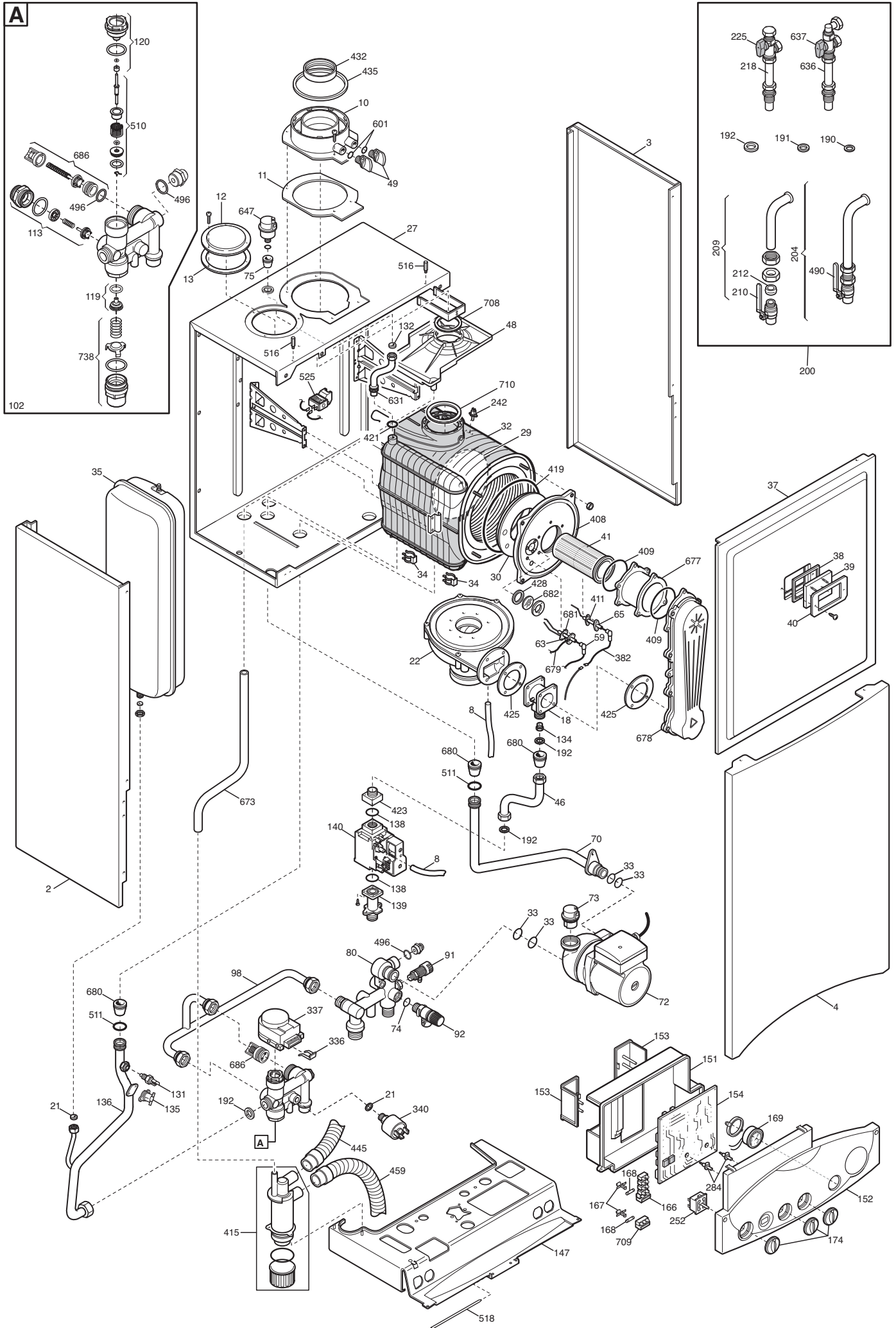
# Tab 134



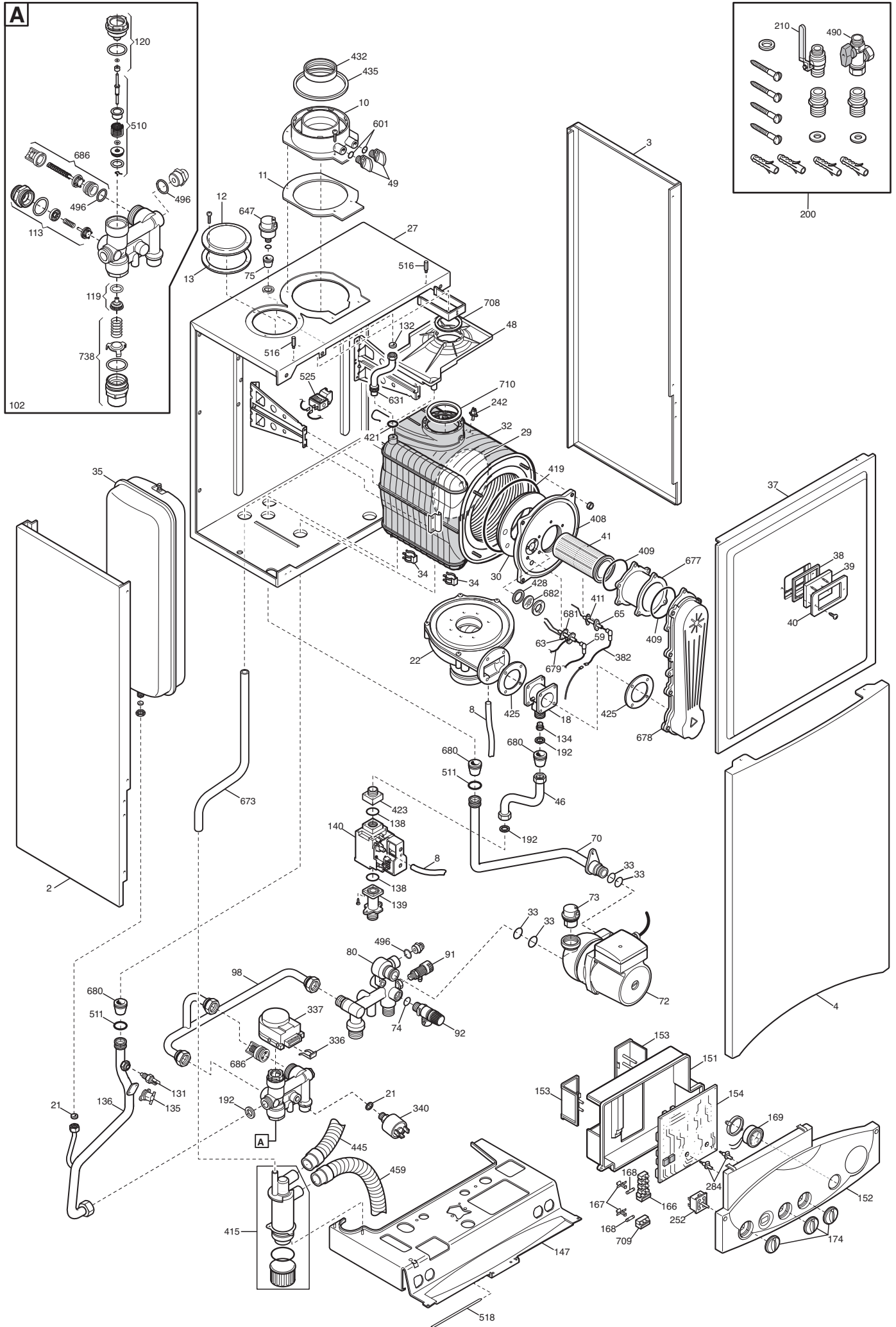




# Tab 330



# Tab 380



**BAXI**

**BAXI S.p.A.**  
**Via Trozzetti, 20**  
**36061 BASSANO DEL GRAPPA (VI)**  
**ITALY**  
**Tel. +390424517111**  
**Telefax +390424517379**  
**E-mail. [service@baxi.it](mailto:service@baxi.it)**