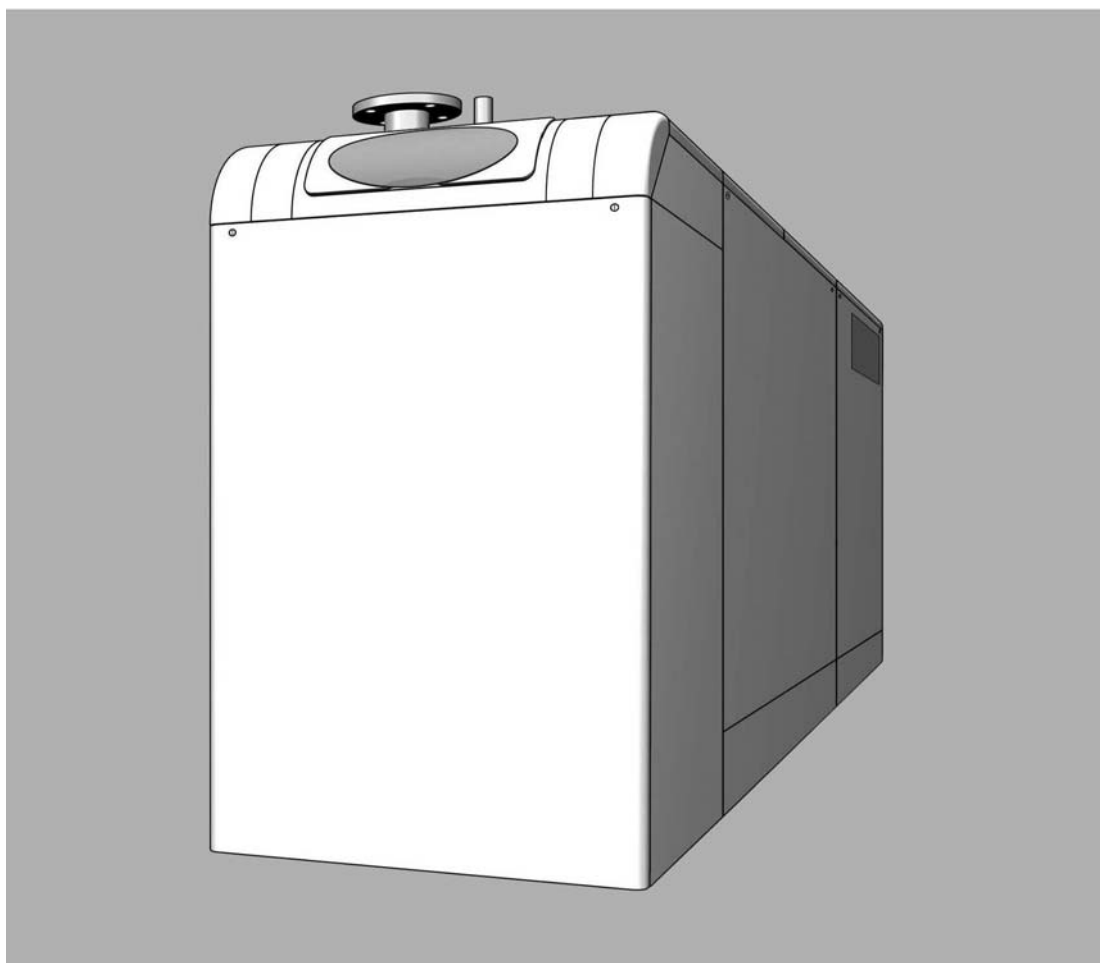


**BAXI**



# **POWER HT-A**

## **SPARE PARTS CATALOGUE**

**- September 2013 -**



## Spare parts catalogue

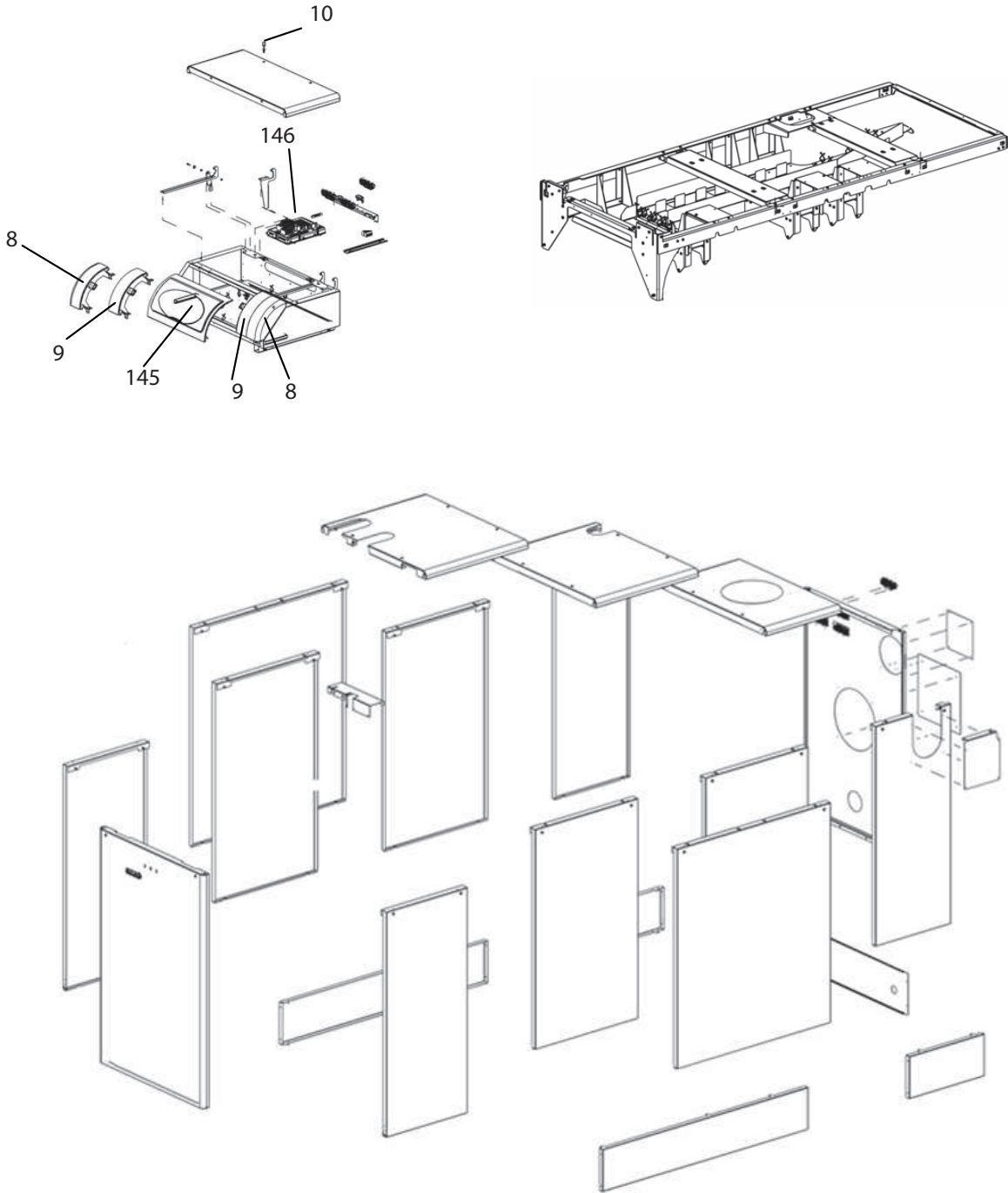
Pos.	Code	Description	LSX41143060 POWER HT 1.430	LSX41150060 POWER HT 1.500	LSX41157060 POWER HT 1.570	LSX41165060 POWER HT 1.650
		<b>SHELL COMPONENTS</b>				
8	620031	lateral cover of control	.	.	.	.
9	643276	adapter of cover of control panel middle piece	.	.	.	.
10	578899	quick lock 60 mm	.	.	.	.
		<b>BOILER COMPONENTS</b>				
44	730716400	collecting box condensed water SGB 400 E	.			
44	730716500	collecting box condensed water SGB 470-610 E		.	.	.
45	730716600	tightening cord	.	.	.	.
48	730716900	siphon SGB 410-610 E	.	.	.	.
72	730721100	gasket for maintenance flap SGB 400 E	.			
72	730721200	gasket for maintenance flap SGB 470 E		.		
72	730721300	gasket for maintenance flap SGB 540 E			.	
72	730721400	gasket for maintenance flap SGB 610 E				.
73	730721500	HEX tightening cord SGB 400-610 E	.	.	.	.
77	730721900	HEX SGB 400 E	.			
77	730722000	HEX SGB 470 E		.		
77	730722100	HEX SGB 540 E			.	
77	730722200	HEX SGB 610 E				.
78	730722300	sight glass SGB 400-610 E	.	.	.	.
82	57737300	Sheath	.	.	.	.
84	730723000	ignition and ionisation electrode	.	.	.	.
86	730723200	gasket for HEX covering sheet	.	.	.	.
94	730647300	pressure switch	.	.	.	.
96	730724500	ignition transfo	.	.	.	.
97	730724600	air pressure switch	.	.	.	.
o. A.	93692700	silicon hose 5x1.5 and T-piece	.	.	.	.
98	730724700	differential pressure switch SGB 400-610 E	.	.	.	.
o. A.	730730900	set of gaskets SGB 400-610 E	.	.	.	.
		<b>BURNER COMPONENTS</b>				
116	730726000	Venturi unit type VMU500 SGB 400-540 E	.	.	.	
116	730726100	Venturi unit type VMU680 SGB 610 E				.
120	730726500	fan type G3G250GN4426 SGB 400-610 E	.	.	.	.
121	730726600	air-flap SGB 400-610 E	.	.	.	.
122	730726700	connection for mixing unit	.	.	.	.
123	730726800	burner bar SGB 400 E	.			
123	730726900	burner bar SGB 470 E		.		
123	730727000	burner bar SGB 540 E			.	
123	730727100	burner bar SGB 610 E				.
124	730727200	burner insulation plate SGB 400-610 E	.	.	.	.
130	730727700	gas pressure switch SGB 400-540 E	.	.	.	
130	730727800	gas pressure switch SGB 610 E				.
131	730727900	gas valve type VR434VE5021 SGB 400-540 E	.	.	.	
131	730728000	gas valve type MBC 700-N SGB 610 E				.

Spare parts catalogue

132	730728100	gas filter SGB 400-540 E	•	•	•	•
o. A.	730730800	service set SGB 400 E	•	•	•	•
o. A.	730730900	set of gaskets SGB 400-610 E	•	•	•	•
<b>CONTROL COMPONENTS</b>						
145	620017	hinged cover of control panel	•	•	•	•
146	730729100	central board LMS 14 SGB 400 E	•			
146	730729200	central board LMS 14 SGB 470 E		•		
146	730729300	central board LMS 14 SGB 540 E			•	
146	730729400	central board LMS 14 SGB 610 E				•
146	730729500	Service LMS14 - SGB125-610E programmable	•	•	•	•
o. A.	635936	fuse with holder	•	•	•	•
o. A.	627498	plug outdoor sensor	•	•	•	•
o. A.	644556	plug RAST 5 -K2	•	•	•	•
o. A.	641371	plug DHW pump	•	•	•	•
o. A.	730730100	harness SGB 400-610 E	•	•	•	•
o. A.	691949	QAC 34 B outdoor sensor	•	•	•	•
o. A.	811545	central board display (ES,FR,GB, IT,NL, PL)	•	•	•	•
o. A.	627436	rotary knob of display	•	•	•	•
o. A.	627405	switch grey	•	•	•	•
o. A.	627450	calipers grey	•	•	•	•

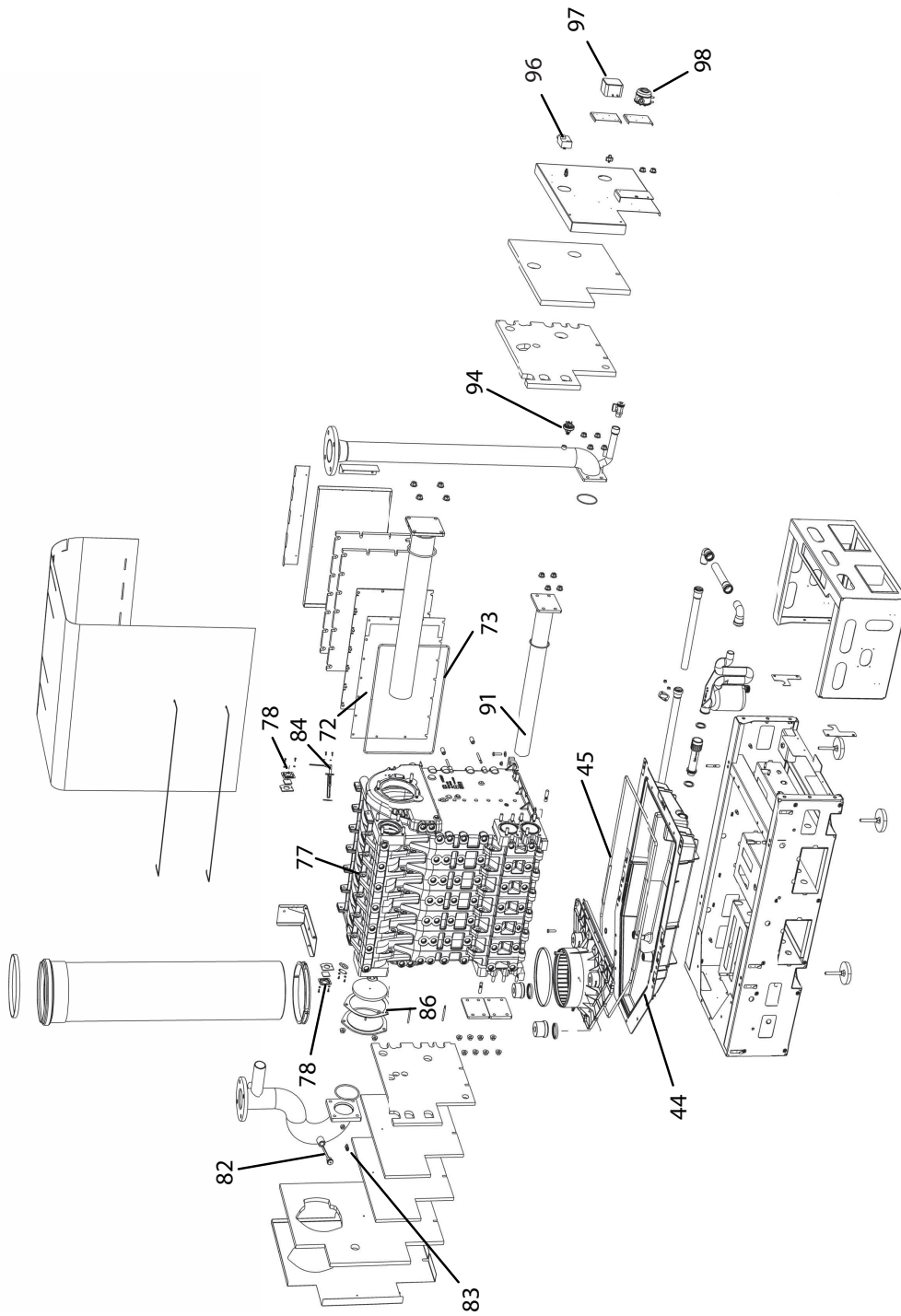
Power HT 430-650 kW

Shell and control components

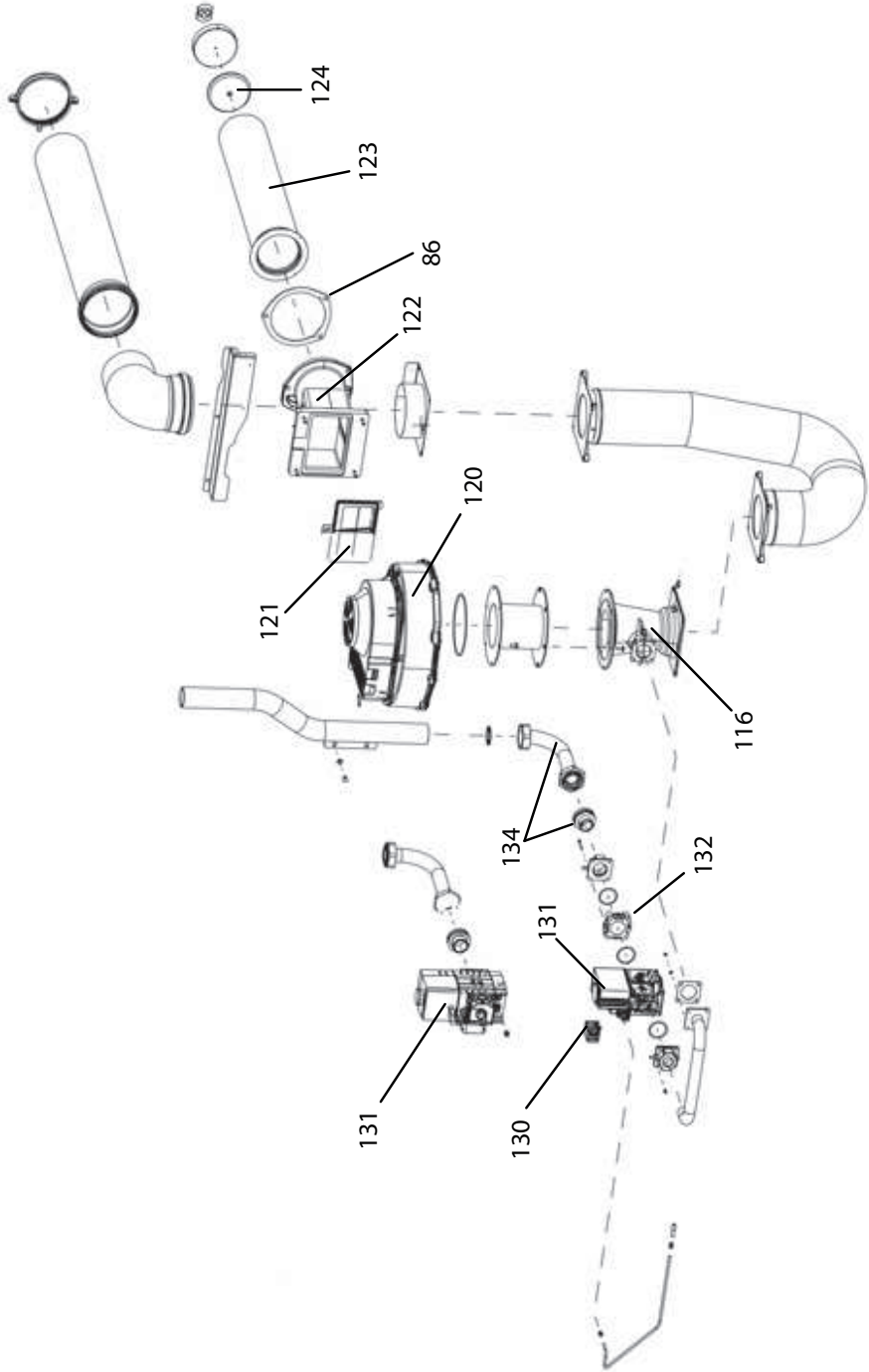


# Power HT 430-650 kW

## Boiler components



Burner components







**BAXI**

**BAXI S.p.A.**  
**Via Trozzetti, 20**  
**36061 BASSANO DEL GRAPPA (VI)**  
**ITALY**  
**Tel. +390424517111**  
**Telefax +390424517379**  
**E-mail. [service@baxi.it](mailto:service@baxi.it)**