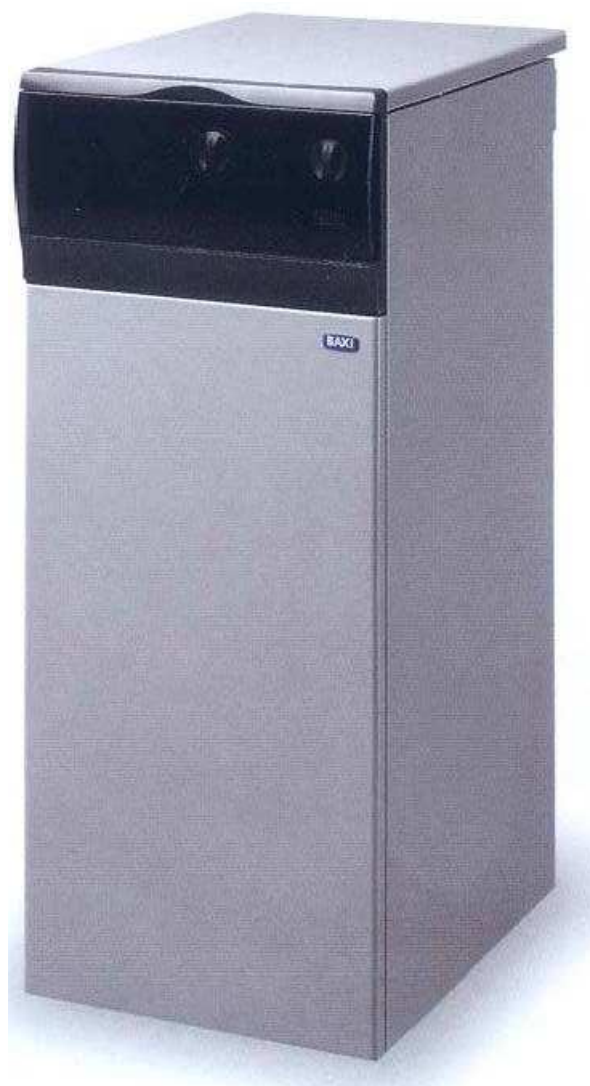


BAXI



SPARE PARTS CATALOGUE

- May 2016 -

HOW TO READ THE SPARE PARTS CATALOGUE

In the spare part catalogue, after the exploded diagrams, there are the components lists of the boilers; this is the meaning of the different columns:

Pos.	Identification number of the component in the exploded diagram of the boiler.
Description	Short description of the component.
Code	BAXI S.p.A. code of the component.
Tab. XX	XX is the exploded diagram number of the boiler taken into consideration.
From serial number	Date (year and week) identifying the beginning of production of a component (taken from the serial number of the boiler). e.g. 1201 : year 2012 (1 identifies the decade 2010-2019; 2 identifies the year) – 1th week . If the box is empty, the component is in use from the beginning of production of the boiler.
To serial number	Date (year and week) identifying the end of production of a component (taken from the serial number of the boiler). e.g. 1225 : year 2012 (1 identifies the decade 2010-2019; 2 identifies the year) – 25th week . If the box is empty, the component is still in use.
Interchangeable	It identifies the interchangeability between the new component and the old one. YES: components are interchangeable. NO: components are <u>not</u> interchangeable.

TABELLA COLLEGAMENTO CODICE CALDAIA - ESPLOSO
TABLEAU CONNECTION CODEX CHAUDIERE - VUE ECLATEE
BOILERS CONNECTION BOARD - EXPLODED VIEW

BOILER CODE	BOILER DESCRIPTION	EXPLODED REF.
CODICE CALDAIA	DESCRIZIONE CALDAIA	RIF. ESPLOSO
CODIGO CALDERA	DESCRIPCION CALDERA	REF. EXPLOSIONADO
CODE CHAUDIÈRE	DESCRIPTION CHAUDIÈRE	RÉF. EXPLOSÉE
WSB431153015/6/7	SLIM 1.150 i	Tab 138
WSB435233014/5/6	SLIM 1.230 Fi	Tab 139
WSB435233474/5/6	SLIM 1.230 FiN	Tab 141
WSB431233015/6/7	SLIM 1.230 i	Tab 138
WSB431233475/6/7	SLIM 1.230 iN	Tab 142
WSB435303014/5/6	SLIM 1.300 Fi	Tab 139
WSB435303474/5/6	SLIM 1.300 FiN	Tab 141
WSB431303015/6/7	SLIM 1.300 i	Tab 138
WSB431303475/6/7	SLIM 1.300 iN	Tab 142
WSB431403474/5/6	SLIM 1.400 iN	Tab 143
WSB431493474/5/6	SLIM 1.490 iN	Tab 143
WSB431623474/5/6	SLIM 1.620 iN	Tab 143

Pos	Code	Description code	WSB431153015/6/7 1.150 IN	WSB43123015/6/7 1.230 IN	WSB431303015/6/7 1.300 IN	WSB43123475/6/7 1.230 IN	WSB431303475/6/7 1.300 IN	WSB431403474/5/6 1.400 IN	WSB431493474/5/6 1.490 IN	WSB431623474/5/6 1.620 IN	WSB43233014/5/6 1.230 IN	WSB43353014/5/6 1.300 IN	WSB435233014/5/6 1.230 IN	WSB43533014/5/6 1.300 IN	WSB435303474/5/6 1.300 IN	WSB435303474/5/6 1.300 IN	To serial number	From serial number	Intercha ngeable:
2	3618370	LEFT PANEL ASSEMBLY -3E-	•																
2	3618390	LEFT PANEL ASS.		•	•														
2	3618410	LEFT PANEL ASSEMBLY 5E			•		•												
2	3618430	LEFT PANEL ASSEMBLY 6E						•											
2	3618450	LEFT PANEL ASEMBLY 7E							•										
2	3618470	LEFT PANEL ASSEMBLY 9E								•									
2	3618630	LEFT PANEL 4E 039 FF									•	•							
2	3618650	LEFT PANEL 039 5E FF										•	•						
3	3618360	RIGHT PANEL ASSEMBLY -3E- 039	•																
3	3618380	RIGHT PANEL ASS.		•	•														
3	3618400	RIGHT PANEL ASSEMBLY 5E			•		•												
3	3618420	RIGHT PANEL ASSEMBLY 6E						•											
3	3618440	RIGHT PANEL ASSEMBLY 7E							•										
3	3618460	RIGHT PANEL ASSEMBLY 9E								•									
3	3618620	RIGHT PANEL 4E 039 FF									•	•							
3	3618640	RIGHT PANEL ASSEMBLY -5E-FF										•	•						
4	3618500	DOOR ASSEMBLY 350 MM	•	•	•	•	•	•	•										
4	3618680	DOOR ASSEMBLY 350 MM FF									•	•	•	•					
6	3200950	NUT G1	•	•	•						•	•							
9	3105470	FLUE RESTRICTORE D.76									•	•							
9	5108700	FLUE RESTRICTOR D.80										•	•						
10	5207060	FLUE ADAPTOR									•	•	•	•					
11	5407890	GASKET ADAPTOR									•	•	•	•					
12	5108690	PLATE BLANKING									•	•	•	•					
13	5407400	SUCTION CAP GASKET									•	•	•	•					
14	3108540	SEALED CH.COVER 4E 039 FF									•	•							
14	3108550	SEALED CH.COVER 5E 039 FF										•	•						
15	600530	JOINT ASSEMBLY									•	•	•	•					

Slim

12/05/2016

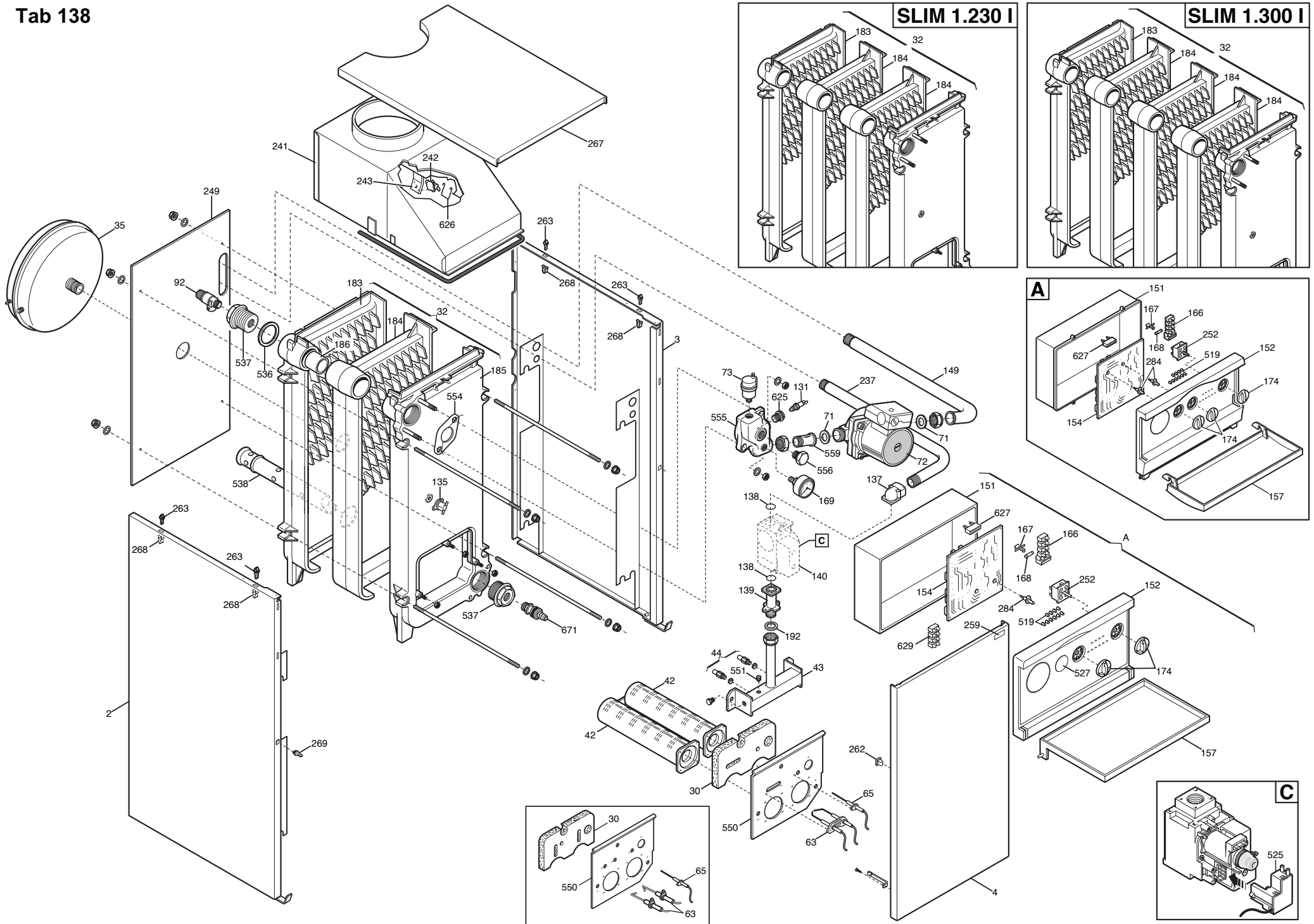
Pos	Code	Description code	WSB431153015/6/7 1.150 IN	WSB431233015/6/7 1.230 IN	WSB431303015/6/7 1.300 IN	WSB431303015/6/7 1.230 IN	WSB431233475/6/7 1.230 IN	WSB431303475/6/7 1.300 IN	WSB431403474/5/6 1.400 IN	WSB431493474/5/6 1.490 IN	WSB431623474/5/6 1.620 IN	WSB431623474/5/6 1.230 IN	WSB43233014/5/6 1.230 IN	WSB43353014/5/6 1.300 IN	WSB43353014/5/6 1.230 IN	WSB43353014/5/6 1.300 IN	WSB43353014/5/6 1.300 IN	To serial number	From serial number	Intercha ngeable:	
17	5211090	BEND - FAN OUTLET																			
18	5407050	PRESSURE SENSING VENTURI																			
20	5207050	HOSE ADAPTER M6																			
21	5402050	WASHER-SEALING																			
22	5653850	FAN - 80																			
23	628620	PRESS.SWITCH ASS. 0,9mbar HONEYW.																			
23	710790000	FLUE PRESS.SWITCH 90-75 Pa HUBA																1448			
23	721890400	FLUE PRES. SWITCH 90-75Pa HUBA																	1449		YES
24	5402490	VALVE PRESSURE PIPE																			
26	3108300	SEALED CHAMBER CASE 4e																			
26	3108310	SEALED CHAMBER CASE 5E																			
30	3203100	RAMP SHIELD INSULATION 2 IGNIT	•	•	•	•	•	•	•	•	•	•	•	•	•	•	•				
32	3611660	HEAT EXCHANGER ASSEMBLY 3E	•																		
32	3611670	HEAT EXCHANGER ASSEMBLY		•		•															
32	3611680	HEAT EXCHANGER ASSEMBLY 5E			•		•														
32	3611690	HEAT EXCHANGER ASSEMBLY 6E						•													
32	3611700	HEAT EXCHANGER ASSEMBLY 7E							•												
32	3611710	BOILER HEAT EXCHANGER 9E								•											
32	3616870	HEAT EXCHANGER ASSEMBLY 4E FF									•		•								
32	3616880	HEAT EXCHANGER ASSEMBLY 5E FF											•		•						
35	3616830	EXPANSION VESSEL											•	•							
35	9930020	EXPANSION VESSEL 10 L.	•	•	•																
37	3616920	SEALED CHAMBER CHEST											•	•	•	•					
38	5401610	VIEWING WINDOW GASKET											•	•	•	•					
39	5203930	VIEWING WINDOW											•	•	•	•					
40	5103360	SURROUND - VIEWING WINDOW											•	•	•	•					
42	3602420	MULTIGAS BURNER 3E	•																		
42	3602430	MULTIGAS BURNER 4E		•		•							•		•						

Pos	Code	Description code	WSB431153015/6/7 1.150 IN	WSB43123015/6/7 1.230 IN	WSB431303015/6/7 1.300 IN	WSB431233475/6/7 1.230 IN	WSB431303475/6/7 1.300 IN	WSB431403474/5/6 1.400 IN	WSB431493474/5/6 1.490 IN	WSB431623474/5/6 1.620 IN	WSB43233014/5/6 1.230 IN	WSB4335303014/5/6 1.300 IN	WSB435233474/5/6 1.230 IN	WSB4353303014/5/6 1.300 IN	WSB4353303474/5/6 1.230 IN	WSB4353303474/5/6 1.300 IN	To serial number	From serial number	Intercha ngeable:
42	3602440	MULTIGAS BURNER 5E			•	•						•		•					
42	3602450	MULTIGAS BURNER 6E					•												
42	3602460	MULTIGAS BURNER 7E							•										
42	3602480	MULTIGAS BURNER 9E								•									
43	3614390	GAS RAMP -039 TANDEM-	•	•	•	•	•	•	•	•	•	•	•	•	•	•			
44	609520	NATURAL GAS INJECTORS KIT -3E-	•																
44	609530	NATURAL GAS INJECTORS KIT 4E		•		•					•		•						
44	609540	NATURAL GAS INJECTOR KIT 5E			•		•					•		•					
44	609550	NATURAL GAS INJECTOR KIT 6E						•											
44	609560	NATURAL GAS INJECTOR KIT 7E							•										
44	609570	NATURAL GAS INJECTORS KIT 9E								•									
44	3607110	LPG INJECTORS 3E	•																
44	3607120	LPG INJECTORS 4E		•		•					•		•						
44	3607130	LPG INJECTORS 5E			•		•					•		•					
44	3607140	LPG INJECTORS 6E						•											
44	3607150	LPG INJECTORS 7E							•										
44	3607160	LPG INJECTORS 9E								•									
47	5404740	GAS PIPE GROMMET									•	•	•	•					
49	5207070	FLUE SAMPLE PLUG									•	•	•	•					
60	5406600	GROMMET ELECTRODE LEADS									•	•	•	•					
63	8620350	IGNITION ELECTRODE	•	•	•	•	•	•	•	•	•	•	•	•	•	•			
65	8620290	IONIZATION ELECTRODE & CABLE	•	•	•	•	•	•	•	•	•	•	•	•	•	•			
71	5405000	SEALING WASHER - G1	•	•	•						•	•							
72	3611300	PUMP (UPS 15-50 G1 H6)	•	•	•						•	•							
73	5600731	AUTOMATIC AIR VENT VALVE 3/8	•	•	•						•	•							
87	3616900	HEATING RETURN PIPE FF									•	•							
92	9950600	SAFETY VALVE 3 BAR	•	•	•						•	•							
131	8434820	TEMPERATURE SENSOR	•	•	•	•	•	•	•	•	•	•	•	•	•	•			

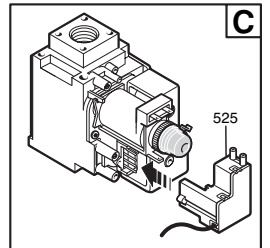
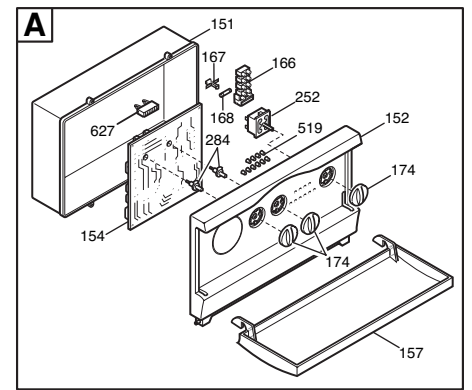
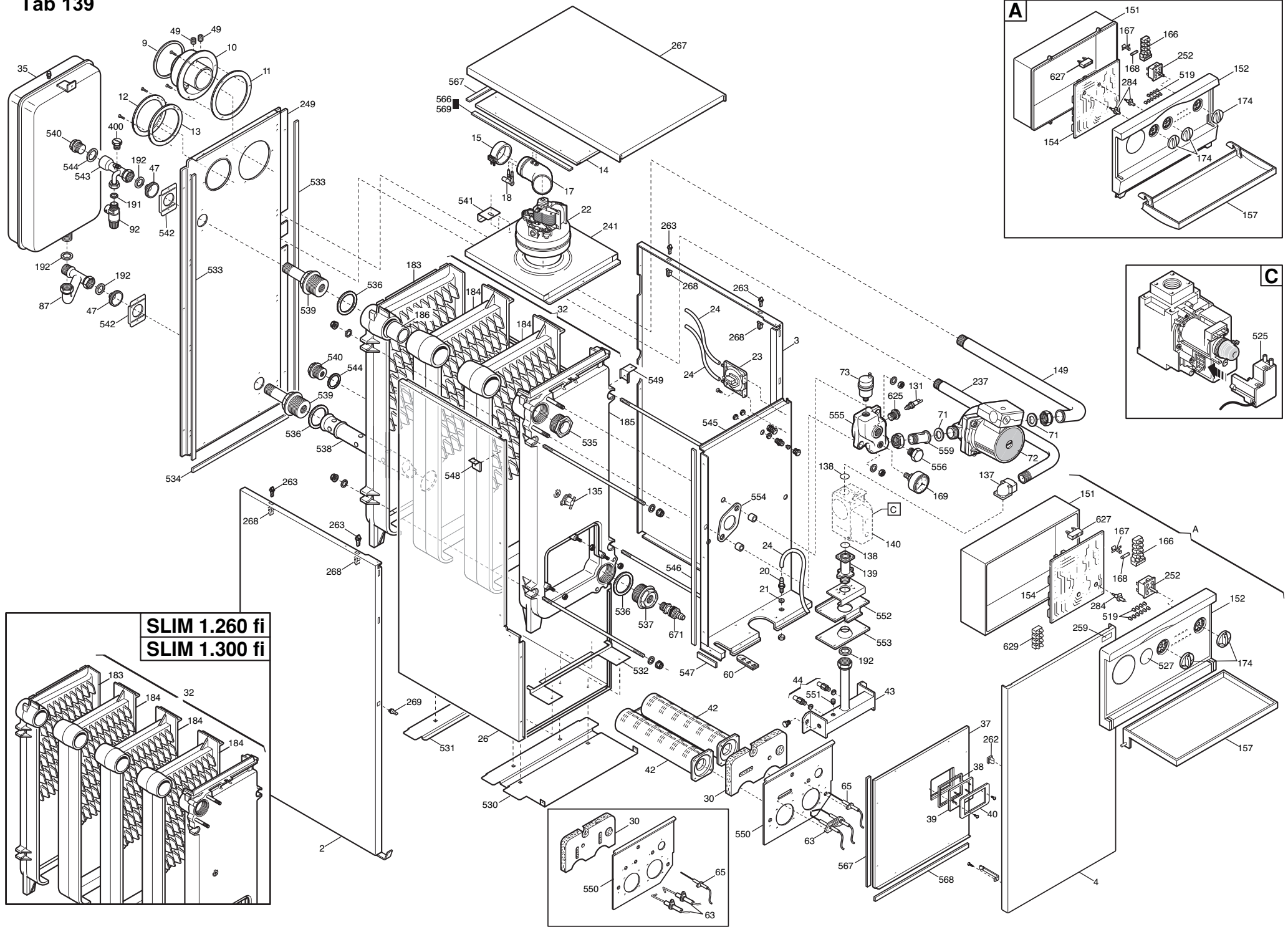
Slim

12/05/2016

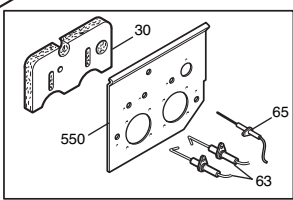
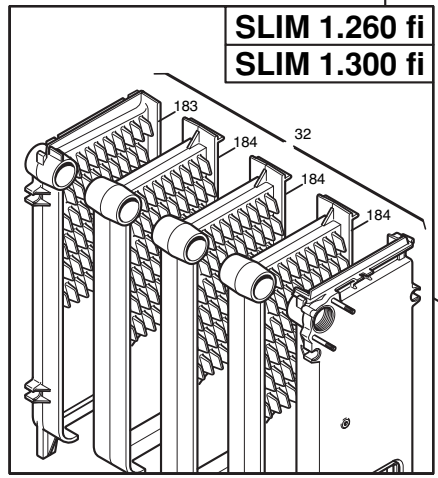
Pos	Code	Description code	WSB431153015/6/7 1.150 IN	WSB43123015/6/7 1.230 IN	WSB431303015/6/7 1.300 IN	WSB431303015/6/7 1.230 IN	WSB431233475/6/7 1.230 IN	WSB431303475/6/7 1.300 IN	WSB431403474/5/6 1.400 IN	WSB431493474/5/6 1.490 IN	WSB431623474/5/6 1.620 IN	WSB43233014/5/6 1.230 IN	WSB4333014/5/6 1.300 IN	WSB4333014/5/6 1.230 IN	WSB4333014/5/6 1.300 IN	To serial number	From serial number	Intercha ngeable:	
267	3108840	TOP PANEL -5E-			•		•												
267	3108850	TOP PANEL -6E-							•										
267	3108860	TOP PANEL-7E-								•									
267	3108870	TOP PANEL 9E									•								
267	3109140	COVER BOILER 4E 039 FF 9007										•		•					
267	3109150	TOP PANEL 5E											•		•				
268	3400380	CLIP - SIDE PANELS - FEMALE	•	•	•	•	•	•	•	•	•	•	•	•	•				
269	3402700	CLIP - SIDE PANELS - MALE	•	•	•	•	•	•	•	•	•	•	•	•	•				
284	5405990	DRIVE PIN	•	•	•	•	•	•	•	•	•	•	•	•	•				
400	5205940	PLUG G 3/8										•		•					
519	5407780	LENS - NEON	•	•	•	•	•	•	•	•	•	•	•	•	•				
525	711565600	IGNITER VZ 4/25	•	•	•	•	•	•	•	•	•	•	•	•	•				
527	5408000	BLANKING PLATE - FACIA	•	•	•	•	•	•	•	•	•	•	•	•	•				
530	3108270	FRONTAL U TRAVERSE										•	•	•	•				
531	3108290	U-SHAPED REAR SUPPORT -FF-										•	•	•	•				
532	3108280	EXCHANGER POSITIONING SUPPORT										•	•	•	•				
533	3401500	SEALED CHAMBER GASKET L-828 MM										•	•	•	•				
534	3401480	SEALED CHAMBER GASKET L-300 MM										•	•	•	•				
535	3202820	FRONTAL SPACER 039 FF G1/										•	•						
535	3202840	FRONTAL SPACER G1 1/4-G1/2 FF												•	•				
536	3400530	GASKET 1" 1/4" "	•	•	•	•	•	•	•	•	•	•	•	•	•				
537	3101570	CAP G1" 1/4" "	•	•	•	•	•	•	•	•	•	•	•	•	•				
538	3101190	FLOW DISTRIBUTOR -4/5 ELEM.				•								•					
538	3101200	FLOW DISTRIBUTOR -6/7/9 ELEM.						•	•	•									
538	3101210	FLOW DISTRIBUTOR -3 ELEM. IONO	•																
538	3101220	FLOW DISTRIBUTOR -4 ELEM. IONO		•								•							
538	3101230	FLOW DISTRIBUTOR -5 ELEM. IONO			•								•						
539	3616890	REAR JUNCTION ELEMENT 039 FF										•	•	•	•				



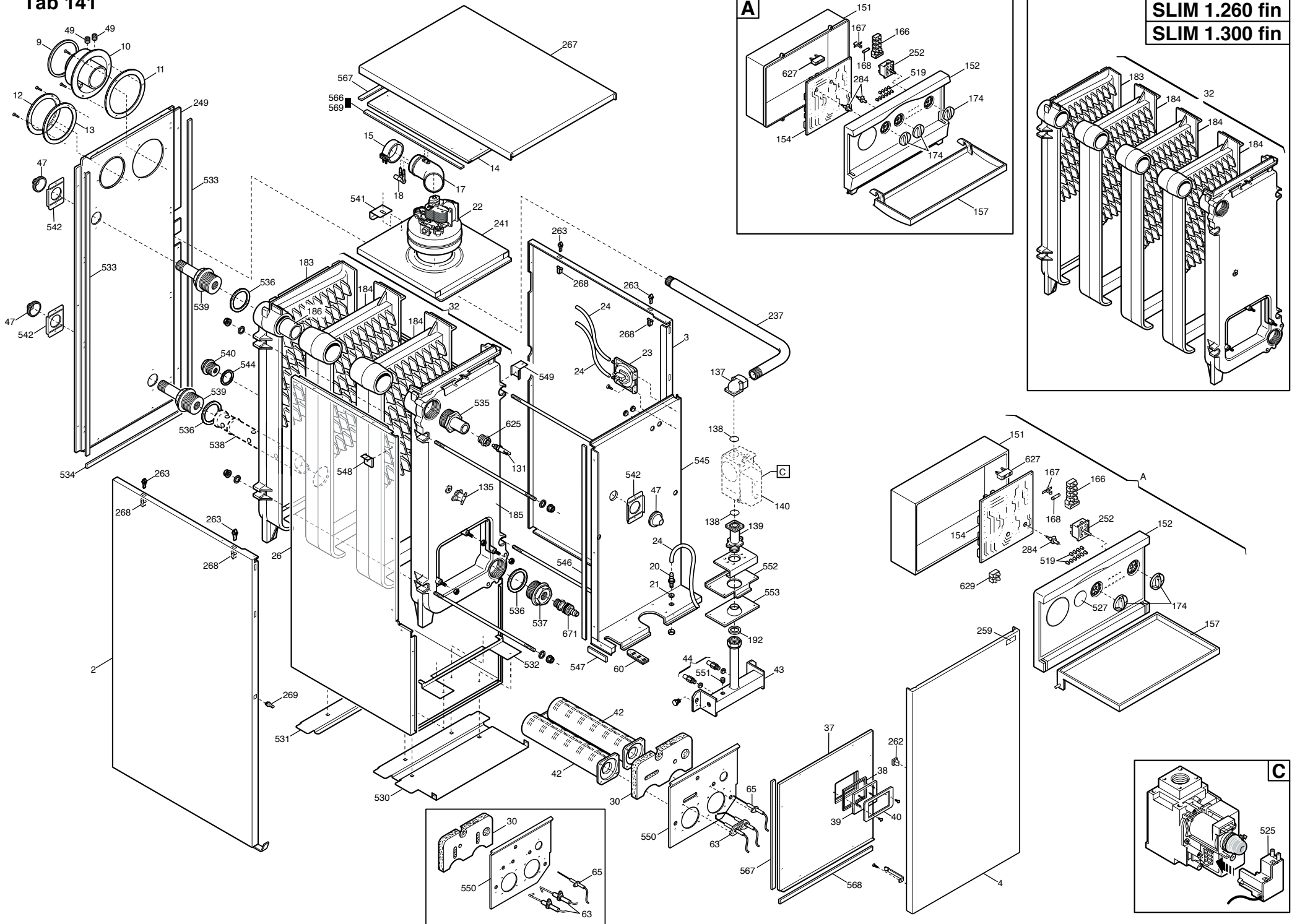
Tab 139



SLIM 1.260 fi
SLIM 1.300 fi

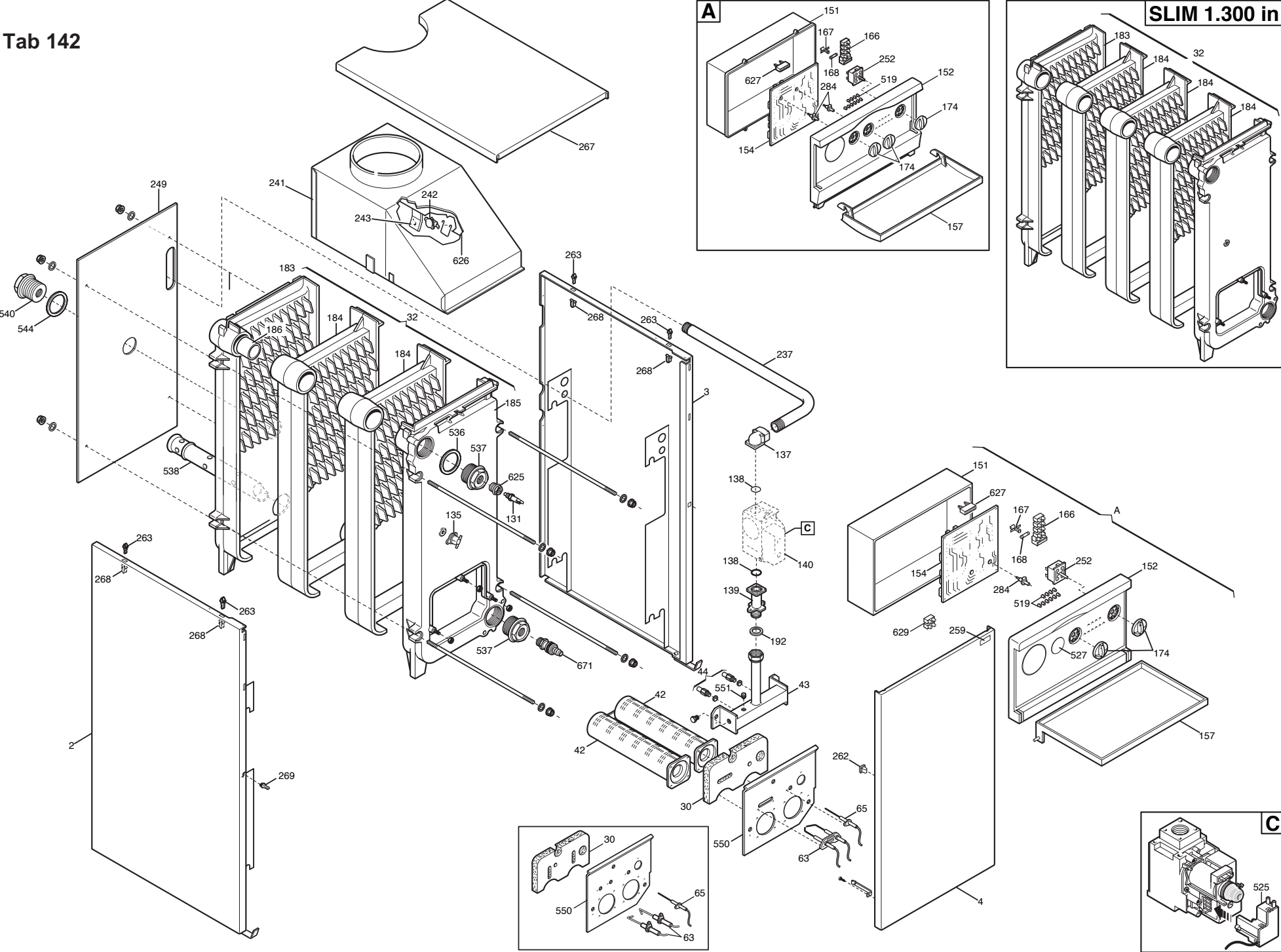


Tab 141

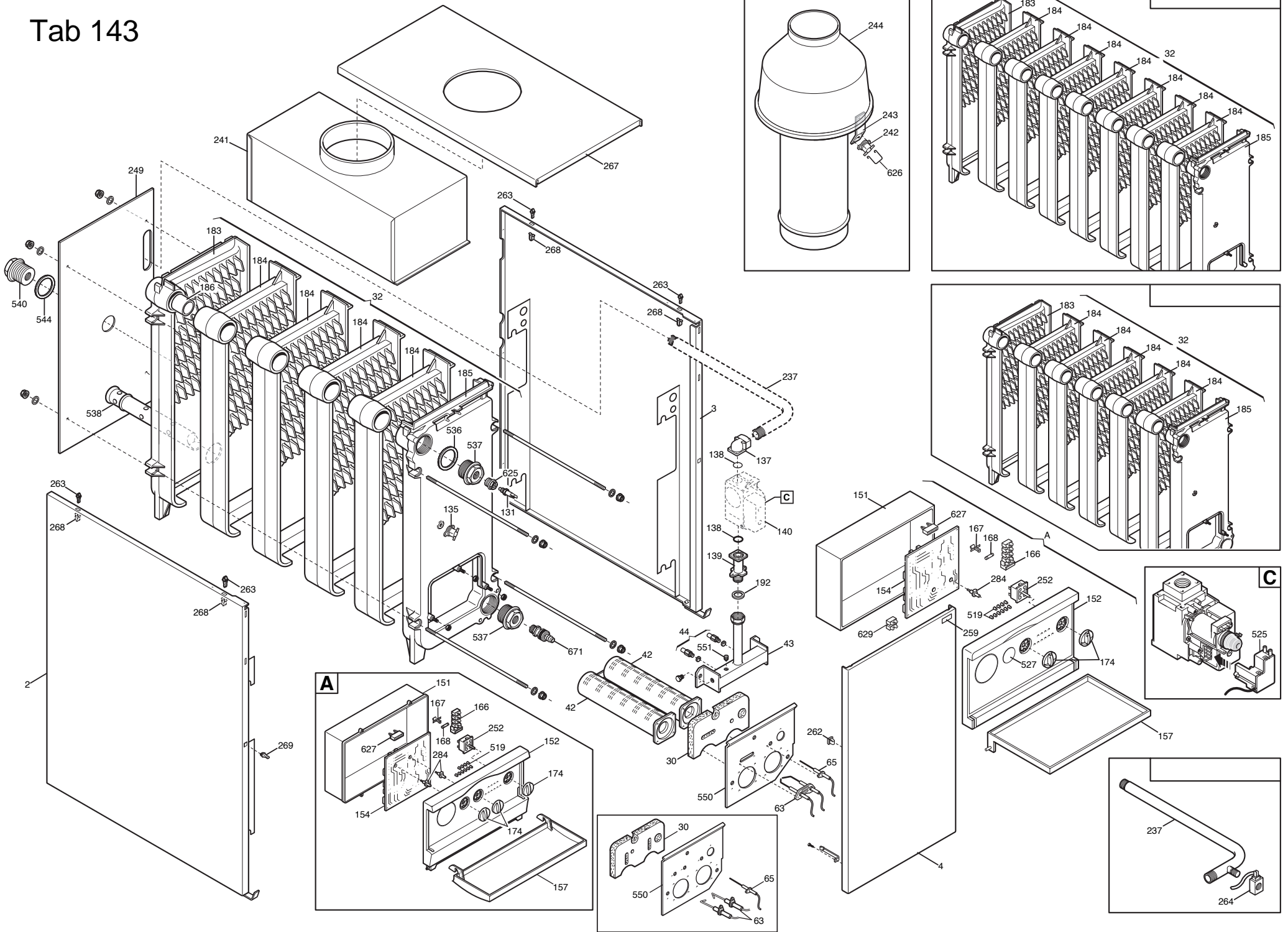


SLIM 1.260 fin
SLIM 1.300 fin

Tab 142



Tab 143



BAXI

BAXI S.p.A.
Via Trozzetti, 20
36061 BASSANO DEL GRAPPA (VI)
ITALY
Tel. +390424517111
Telefax +390424517379
E-mail. service@baxi.it