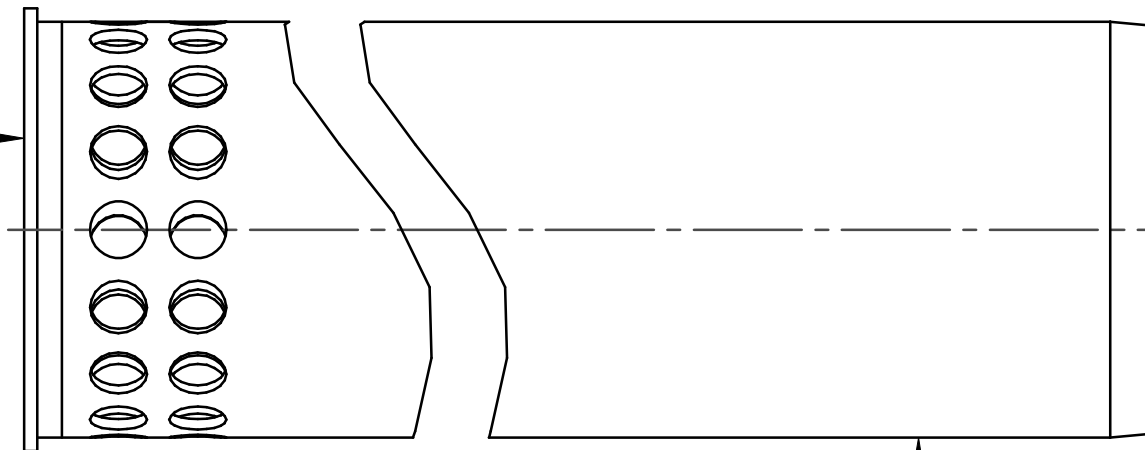
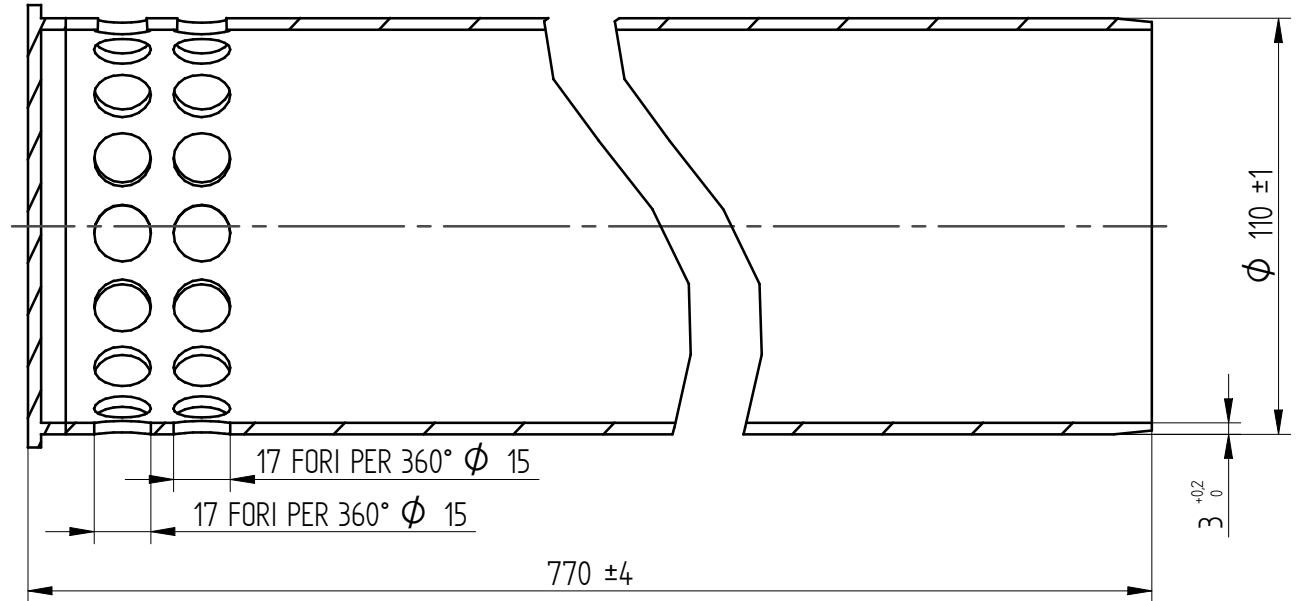


UNCONTROLLED WHEN PRINTED, CHECK REVISION AND STATUS BEFORE USE



CODICE DISEGNO FORNITORE : 63232847  
 CODICE ARTICOLO FORNITORE: 939900500

50	926.692.1	FOGLIO ISTRUZIONI KIT KUG714132810	1
40	926.691.1	ETICHETTA IDENTIFICAZIONE KIT KUG714132810	1
30	XXXXXX	SCATOLA IMBALLO KIT 780X140X130H	1
20	XXXXXX	TAPPO Ø 110 PP TAGLIATO	1
10	XXXXXX	TUBO Ø 110X760 mm PP FORATO A 360°	1
ITEM NO	PART NUMBER	DESCRIPTION	QTY

REVISION	MODIFICATION	ENGINEER	REFERS TO	DATE

<b>BAXI S.p.A.</b> A MEMBER OF BAXI GROUP	RELEASE STATUS. <b>Production</b>	ITEM NUMBER. <b>570459</b>	REVISION. <b>01</b>
	ENGINEER. <b>DALLA COSTA MAURO</b>	DATE. <b>09-Dec-09</b>	SHEET No. <b>1 of 1</b>

© 2009	TITLE. <b>TERMINALE CAMINO VERT. D.110</b>
UNITS. mm	SCALE. <b>1:2</b>
MATERIAL SPECIFICATION.	

FIRST ANGLE PROJECTION.	TOLERANCE TO EN 22768 - mK UNLESS OTHERWISE SPECIFIED	<table border="1"> <tr> <th>CLASS m</th> <th>0.5-3</th> <th>3-6</th> <th>6-30</th> <th>30-120</th> <th>120-400</th> <th>400-1m</th> </tr> <tr> <td>LINEAR</td> <td>±0.1</td> <td>±0.1</td> <td>±0.2</td> <td>±0.3</td> <td>±0.5</td> <td>±0.8</td> </tr> <tr> <td>RADII &amp; CHAMFERS</td> <td>±0.4</td> <td>±1</td> <td>±2</td> <td>±3</td> <td>±5</td> <td>±8</td> </tr> </table>	CLASS m	0.5-3	3-6	6-30	30-120	120-400	400-1m	LINEAR	±0.1	±0.1	±0.2	±0.3	±0.5	±0.8	RADII & CHAMFERS	±0.4	±1	±2	±3	±5	±8	QUALITY SIGNIFICANCE. [C]=CRITICAL [I]=IMPORTANT ITEM CATEGORY (1, 2 OR 3) <b>3</b> <b>A3</b>
CLASS m	0.5-3	3-6	6-30	30-120	120-400	400-1m																		
LINEAR	±0.1	±0.1	±0.2	±0.3	±0.5	±0.8																		
RADII & CHAMFERS	±0.4	±1	±2	±3	±5	±8																		

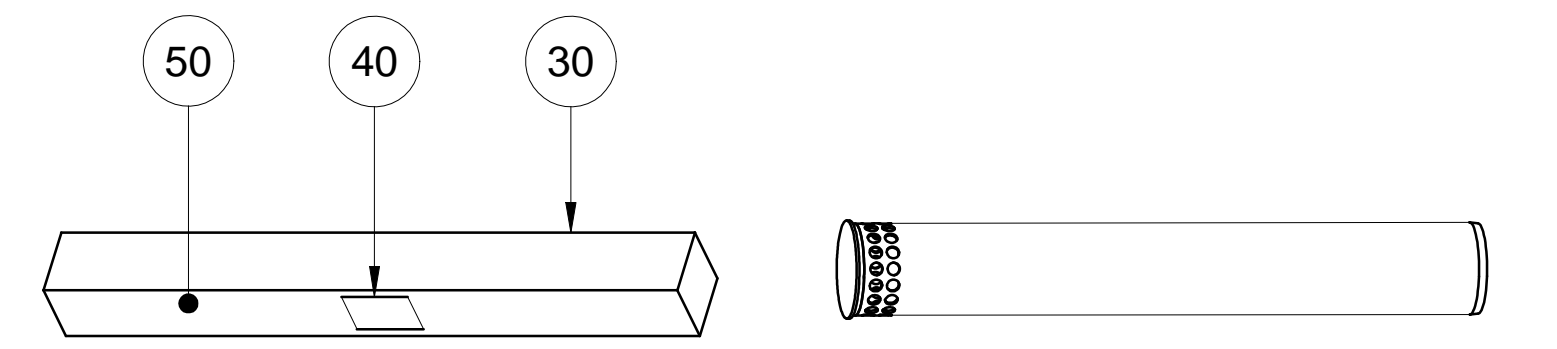
ETICHETTA INDICATIVA A CURA DEL FORNITORE  
 DISEGNO NON IN SCALA

**KUG714132810**

- VERTICAL FLUE END-PIECE Ø 110 mm
- TERMINAL VERTICTAL Ø 110 mm
- SENKRECHTES KAMINENDSTÜCK Ø 110 mm
- TERMINAL CHIMENEA VERTICAL Ø 110 mm
- TERMINAL CHAMINE' VERTICAL Ø 110 mm
- TERMINAL CHIMNEY VERTICALE Ø 110 mm
- TERMINALE CAMINO VERTICALE Ø 110 mm

codice a barre tipo C39 vedi KUG71.....  
 \*KUG714132810\* 926.691.1

CODICE PRODOTTO FINITO CONFEZIONATO BAXI: KUG714132810



DISEGNO SCATOLA E PARTICOLARE NON IN SCALA

