

WESTEN

The smart choice for your home comfort



QUASAR E

SPARE PARTS CATALOGUE

- November 2015 -

HOW TO READ THE SPARE PARTS CATALOGUE

In the spare part catalogue, after the exploded diagrams, there are the components lists of the boilers; this is the meaning of the different columns:

Pos. Identification number of the component in the exploded diagram of the boiler.

Description Short description of the component.

Code BAXI S.p.A. code of the component.

Tab. XX XX is the exploded diagram number of the boiler taken into consideration.

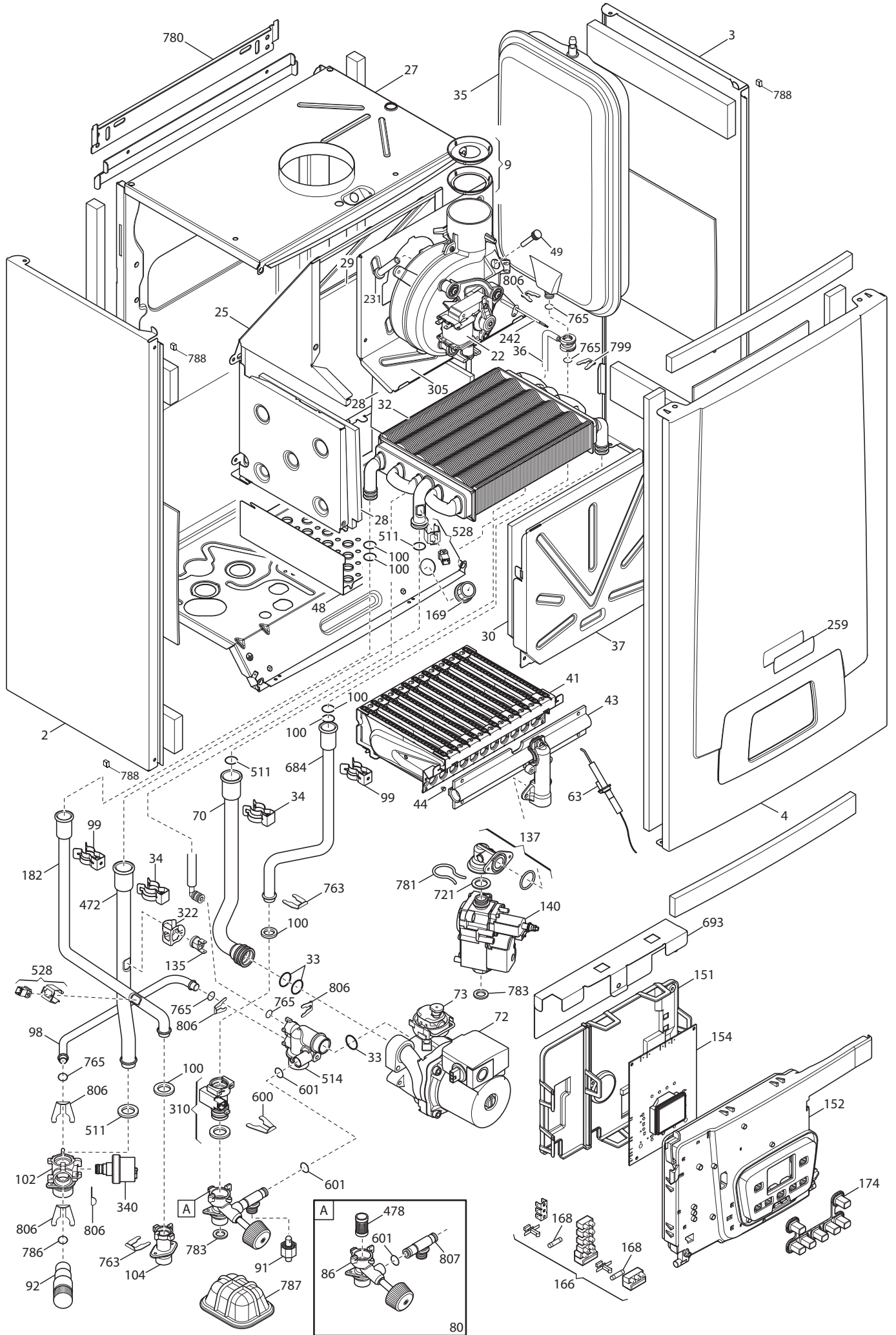
From serial number Date (year and week) identifying the beginning of production of a component (taken from the serial number of the boiler).
e.g. 1201: year 2012 (1 identifies the decade 2010-2019; 2 identifies the year) – 01th week.
If the box is empty, the component is in use from the beginning of production of the boiler.

To serial number Date (year and week) identifying the end of production of a component (taken from the serial number of the boiler).
e.g. 1225: year 2012 (1 identifies the decade 2010-2019; 2 identifies the year) – 25th week.
If the box is empty, the component is still in use.

Interchangeable It identifies the interchangeability between the new component and the old one.
YES: components are interchangeable.
NO: components are not interchangeable.

TABELLA COLLEGAMENTO CODICE CALDAIA - ESPLOSO TABLEAU CONNECTION CODEX CHAUDIERE - VUE ECLATEE BOILERS CONNECTION BOARD - EXPLODED VIEW

BOILER CODE	BOILER DESCRIPTION	EXPLODED REF.
CODICE CALDAIA	DESCRIZIONE CALDAIA	RIF. ESPLOSO
CODIGO CALDERA	DESCRIPCION CALDERA	REF. EXPLOSIONADO
CODE CHAUDIÈRE	DESCRIPTION CHAUDIÈRE	RÉF. EXPLOSÉE
711316102/3	QUASAR E 18F	Tab 494
711316002/3	QUASAR E 24F	Tab 494



WESTEN

BAXI S.p.A.
Via Trozzetti, 20
36061 BASSANO DEL GRAPPA (VI) ITALY
Tel. +390424517111 Telefax +390424517379
Web site: www.baxi.it e-mail: service@baxi.it