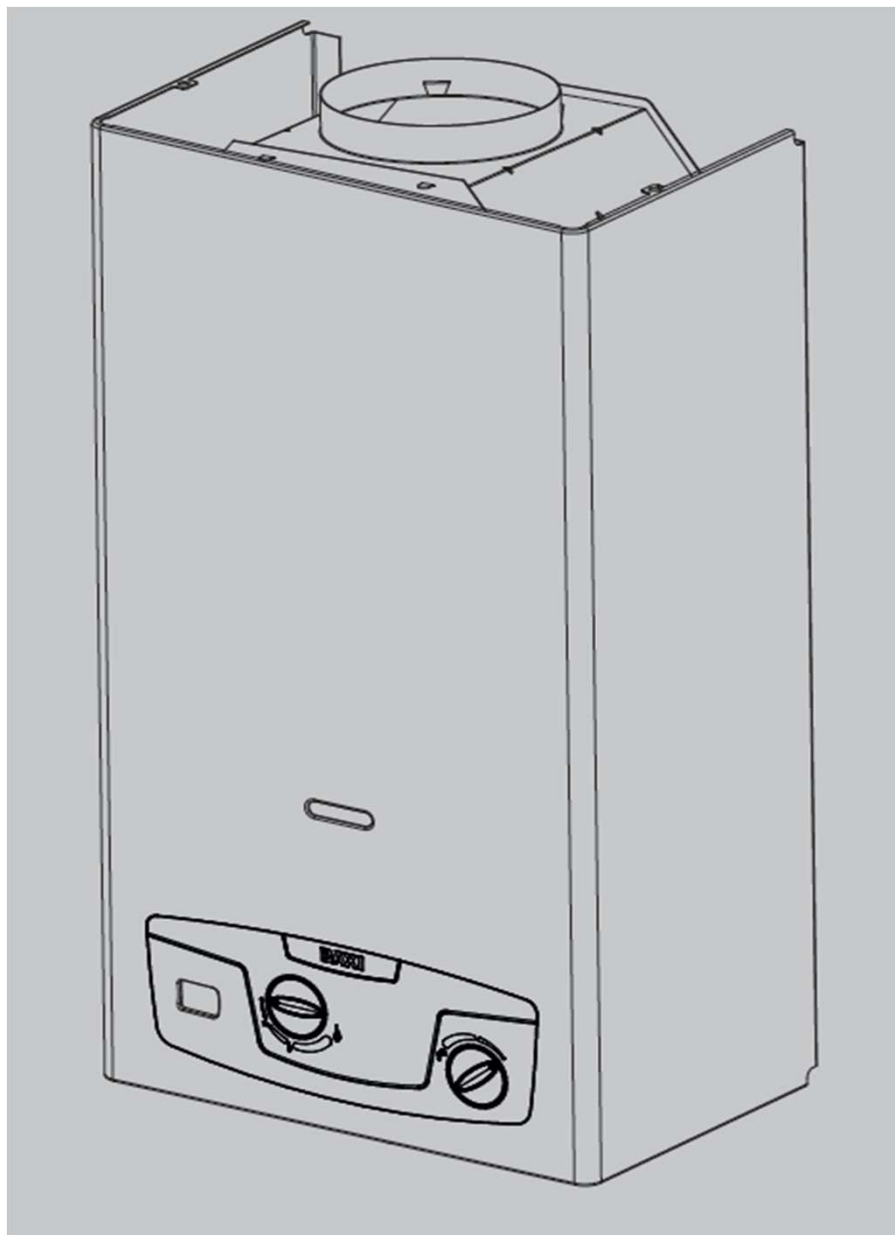


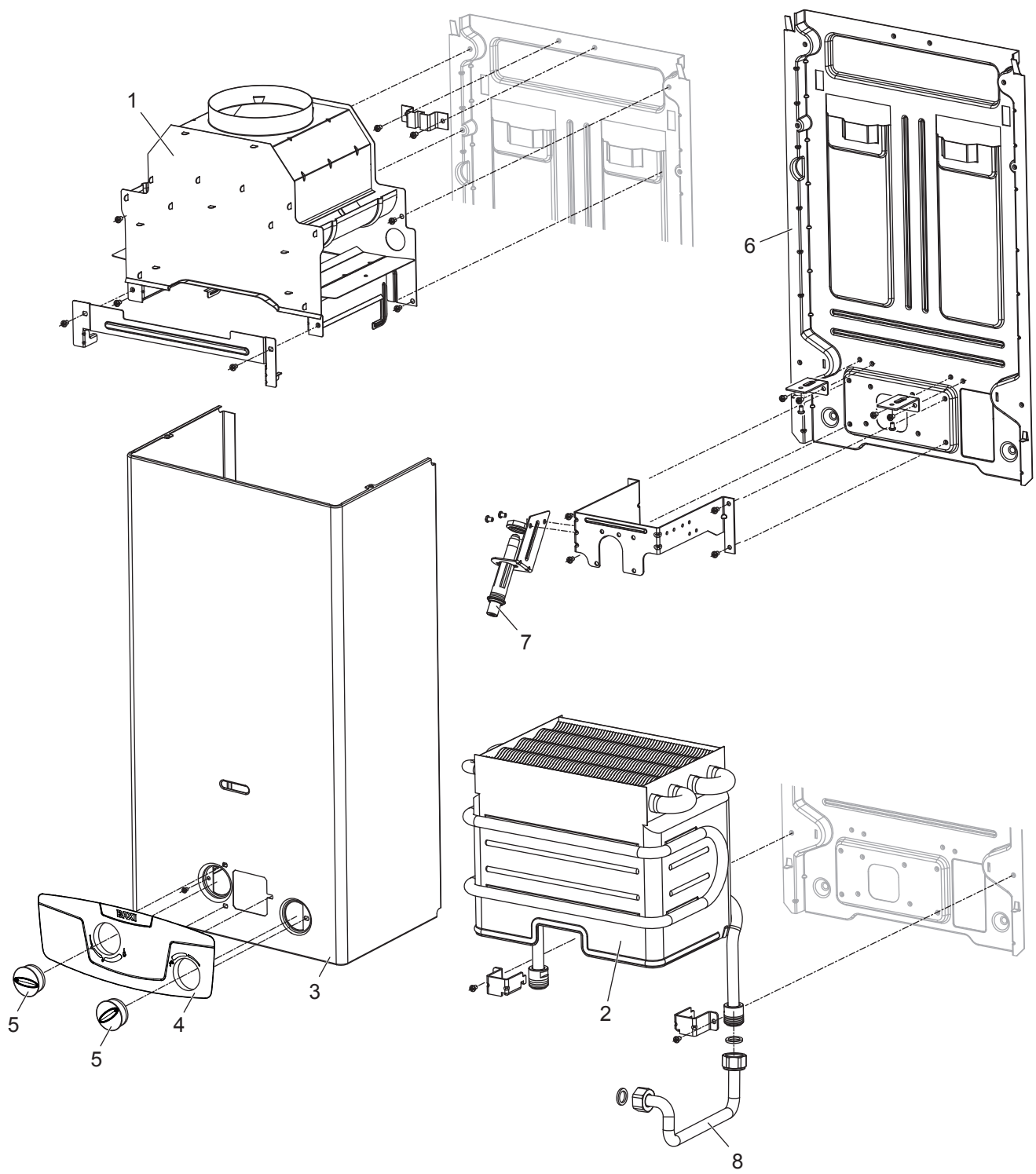
BAXI

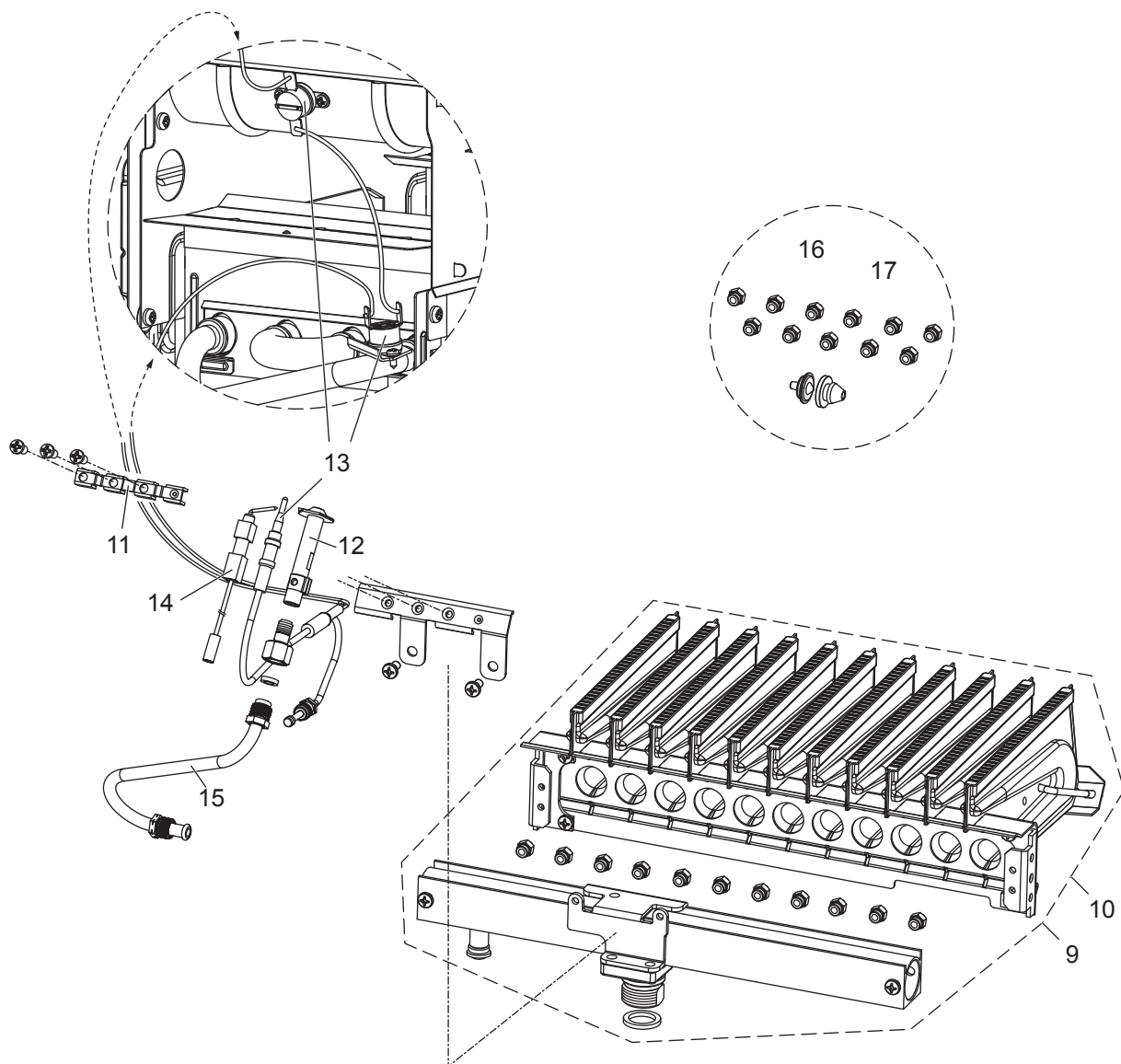


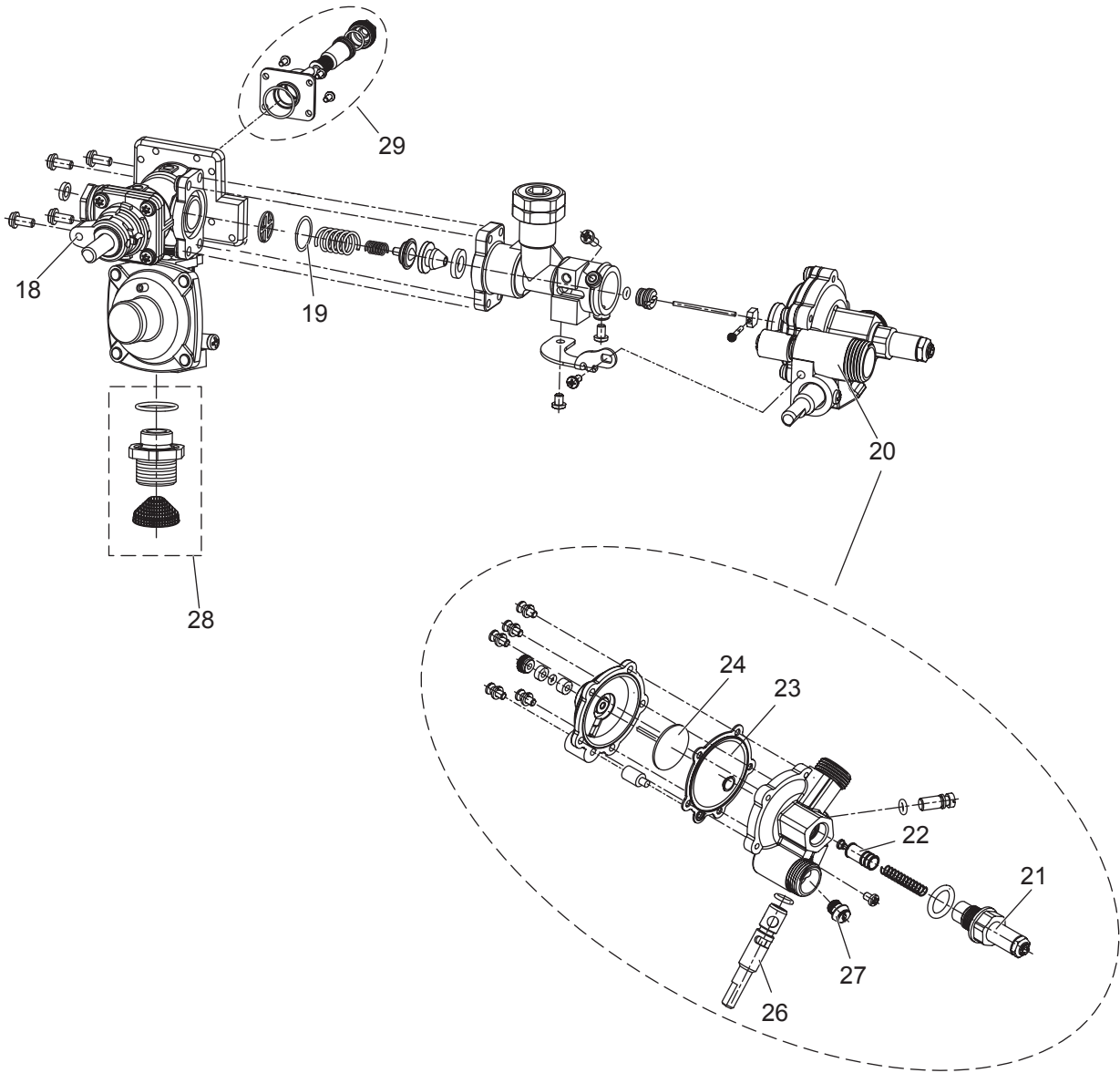
SIG-2

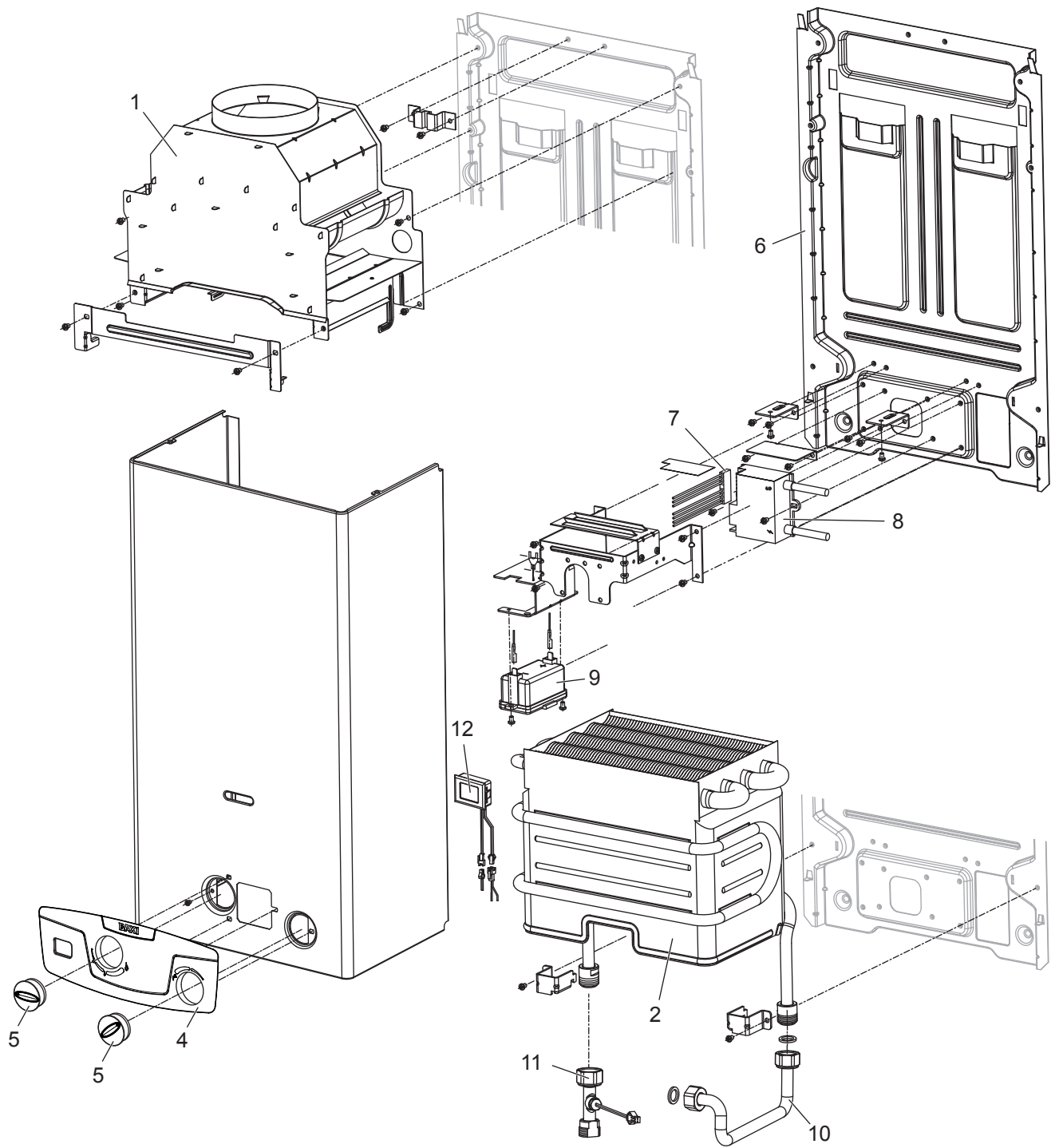
SPARE PARTS CATALOGUE

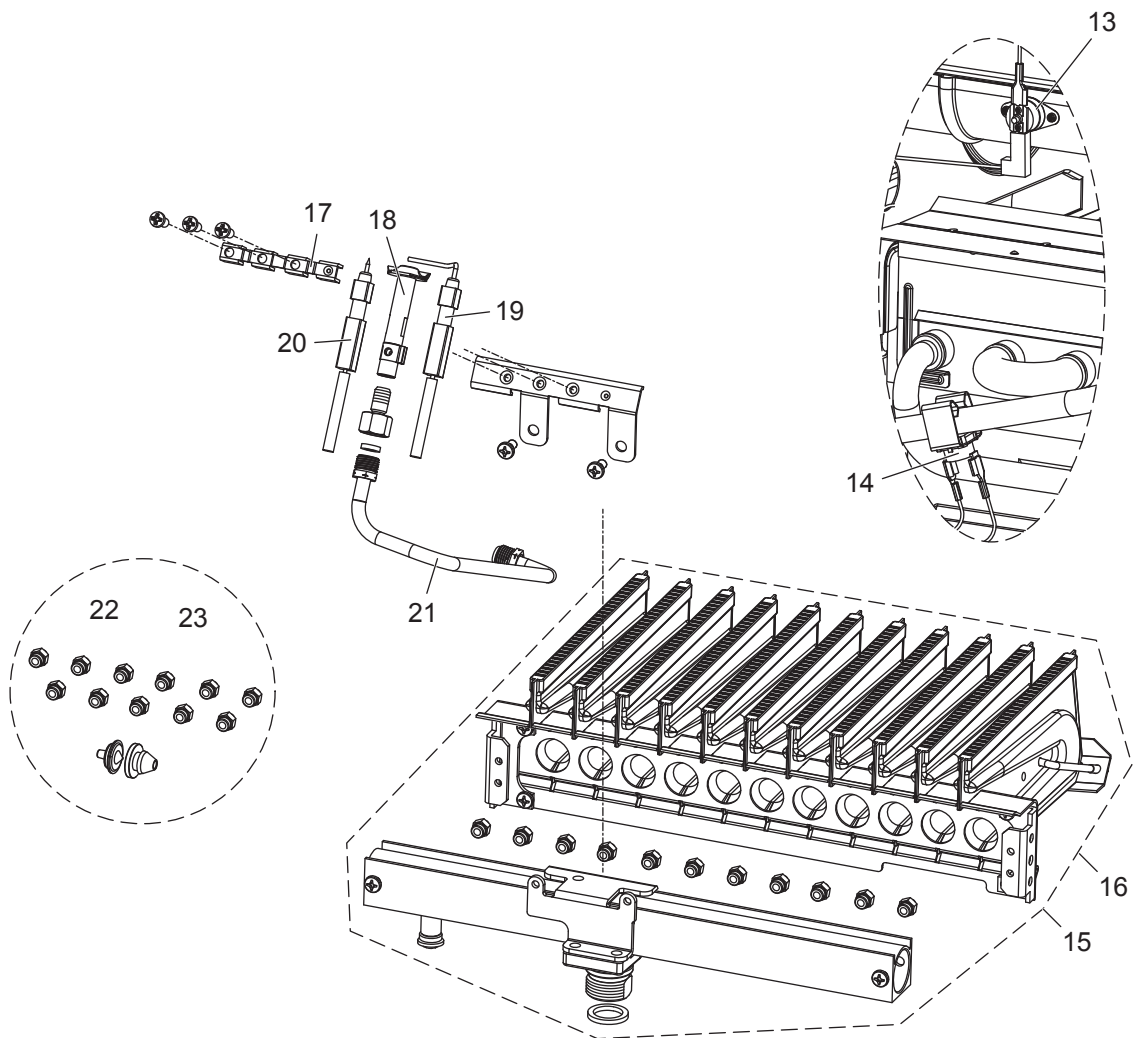
October 2015

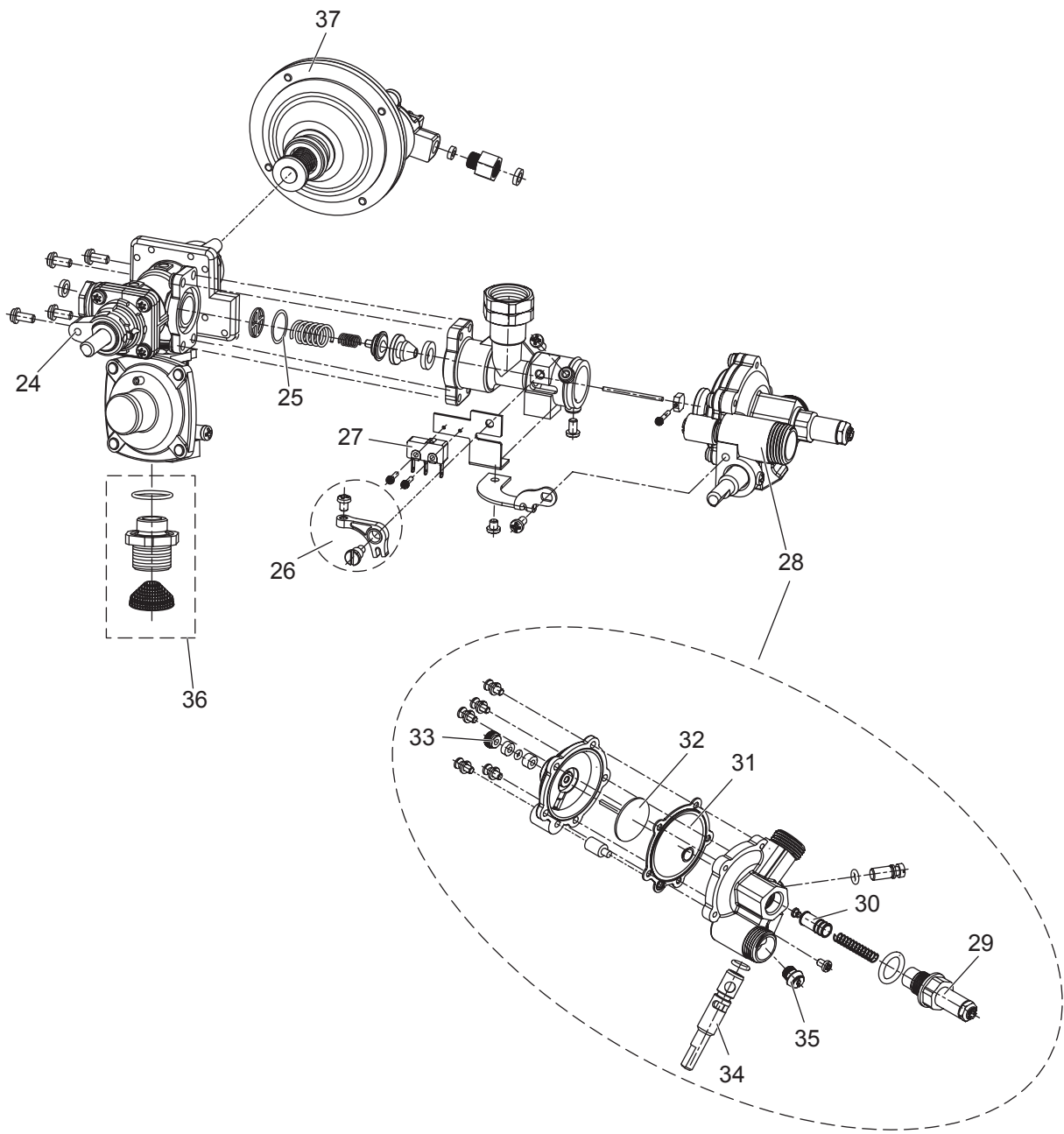


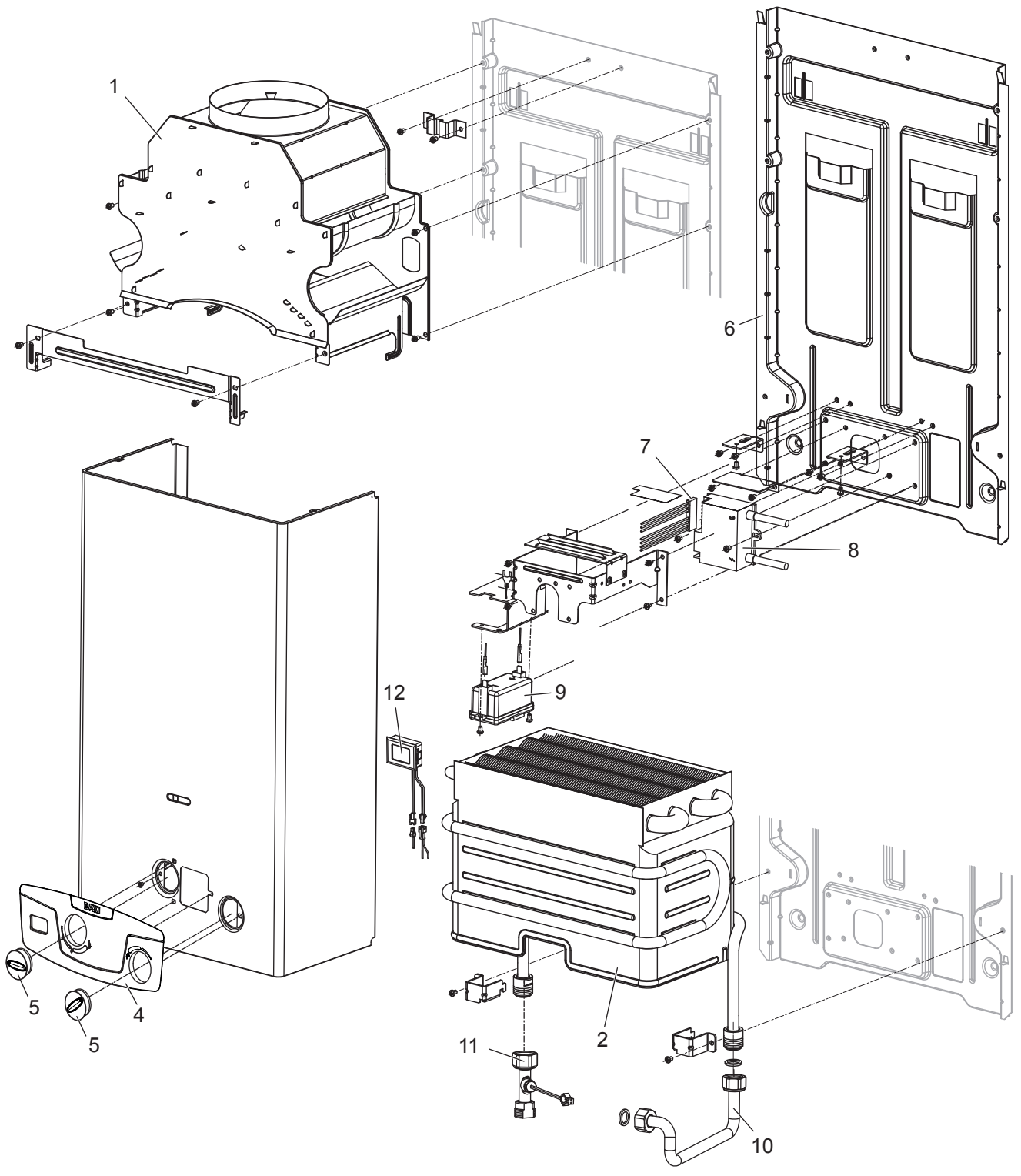


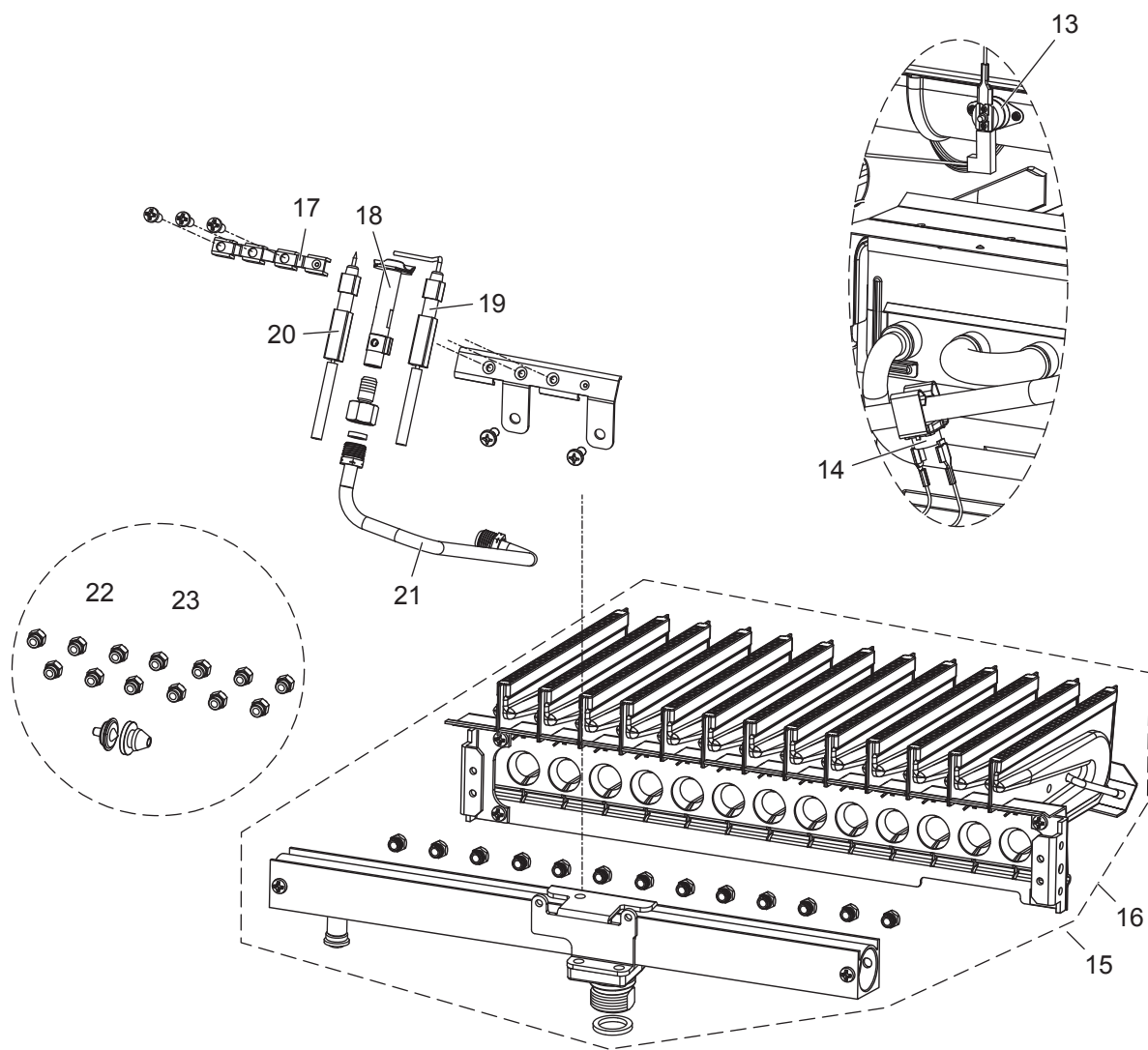


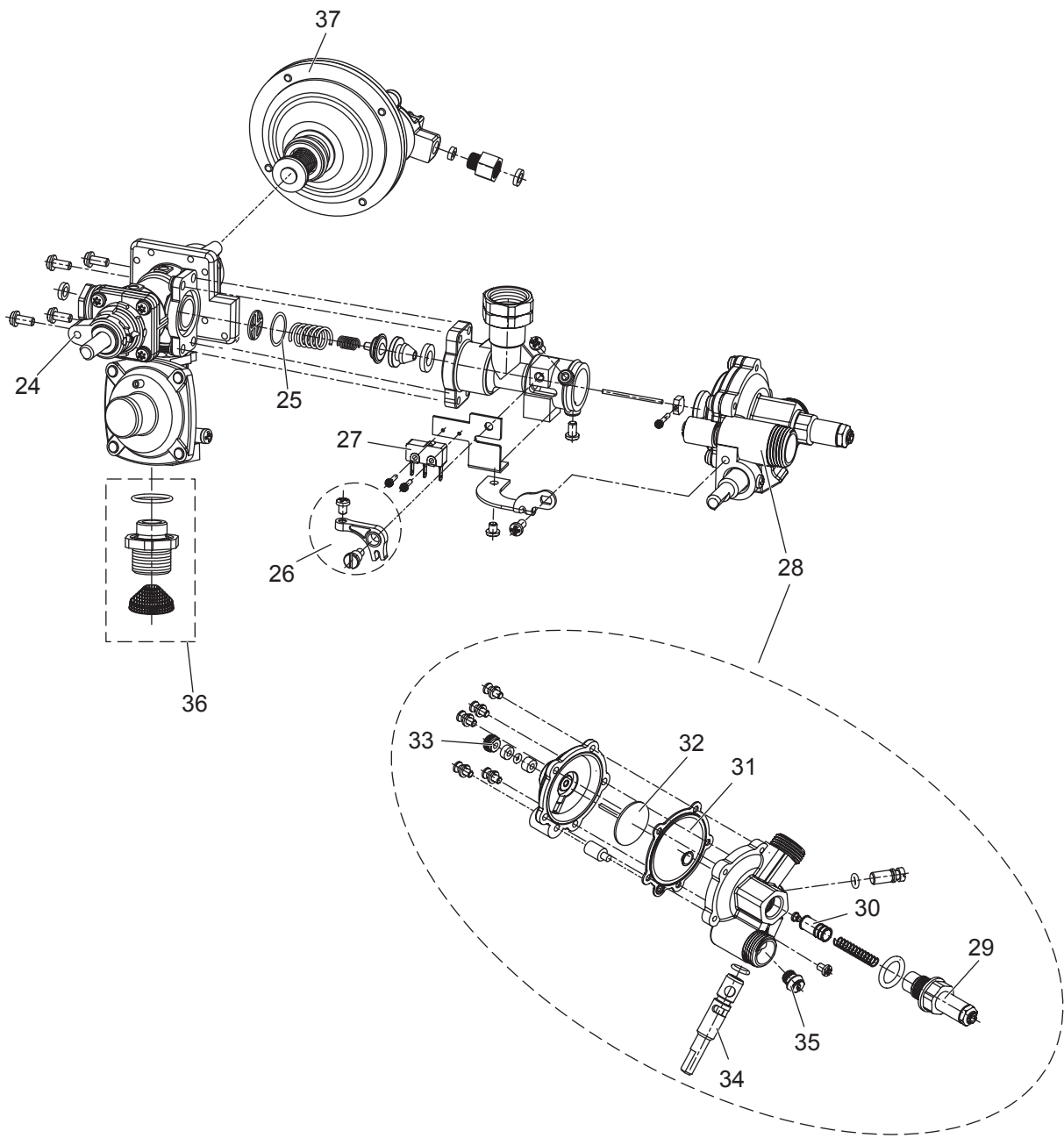












BAXI

BAXI S.p.A.
Via Trozzetti, 20
36061 BASSANO DEL GRAPPA (VI)
ITALY
Tel. +390424517111
Telefax +390424517379
E-mail. service@baxi.it