

SUPPLIER DRAWING CODE: 63233996
SUPPLIER PART NUMBER: 939981453

THE LABEL BELOW IS AN INDICATION FOR THE SUPPLIER. ALL THE INFORMATION SHOWN ARE MANDATORY, WHILE THE LAYOUT AND DIMENSIONS CAN BE MODIFIED.

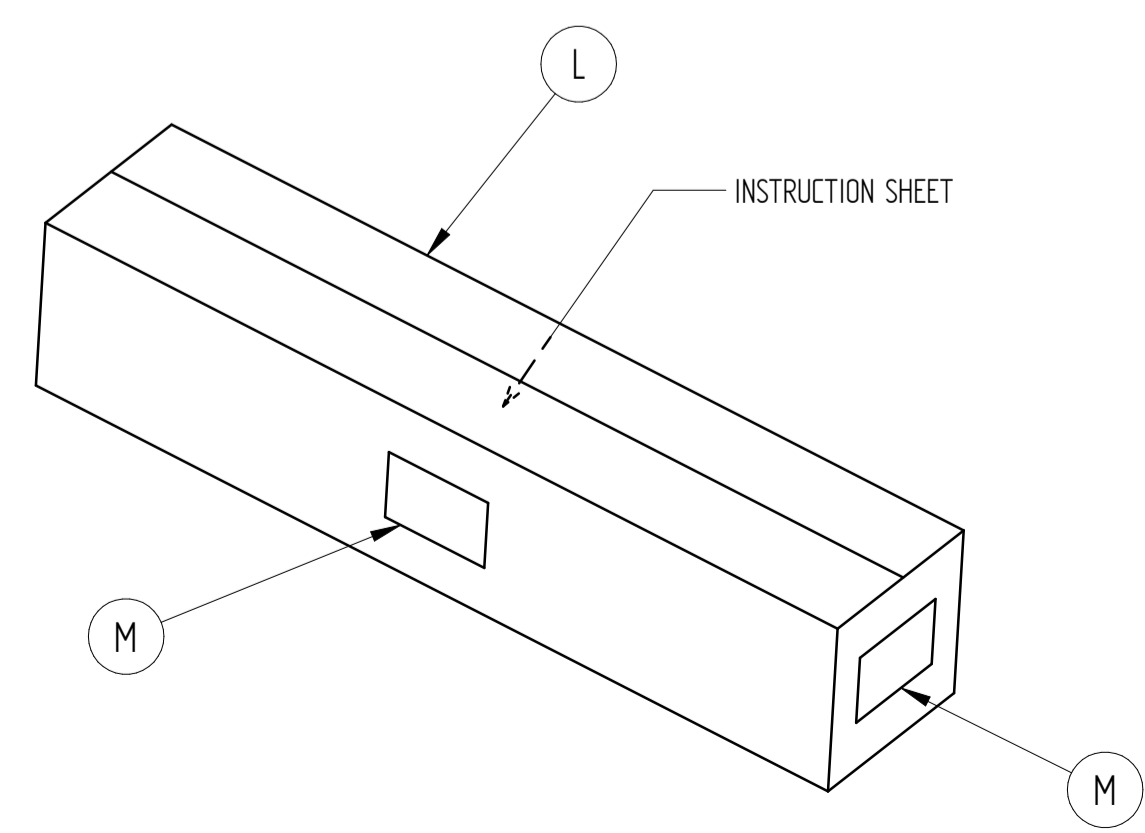
BAXI PART NUMBER : KUG714135813

KUG714135813

- ANTI-FREEZING VERTICAL COAXIAL FLUE TERMINAL Ø 60/100 mm FOR HIGH EFFICIENCY BOILERS
- TUBE VERTICAL ANTIGELANT Ø 60/100 mm POUR CHAUDIERES A CONDENSATION
- SENKRECHTE KONZENTRISCHE DACHDURCHFÜHRUNG Ø 60/100 mm MIT FROSTSCHUTZ FÜR BRENNWERTGERÄTE
- CONDUCTO DESCARGA-ASPIRACIÓN VERTICAL ANTIHELIO Ø 60/100 mm PARA CALDERAS DE CONDENSACIÓN
- TERMINAL VERTICAL, COAXIAL, Ø 60/100 mm, ANTI-GELO, PARA CALDEIRAS DE CONDENSACÃO
- ANTI-VRIJES VERTIKALE DOORVOER Ø 60/100 mm VOOR CONDENSERENDE KETELS
- TERMINALE SCARICO VERTICALE ANTIGHIACCIO Ø 60/100 mm PER CALDAIE A CONDENSAZIONE

Barcode C39: KUG714135813
Barcode EAN13: 802294597496
Barcode EAN13: 358869148978

C71413581



Modified sheet metal thickness from 0.8 to 0.6 mm		PC1832
Change Description		
DIMENSION TOLERANCE TO ISO 14405	QUALITY SIGNIFICANCE (C) DENOTES A CRITICAL DIMENSION. DEVIATION FROM THE SPECIFICATION MAY COMPROMISE THE SAFETY AND/OR THE FUNCTIONALITY OF THE FINISHED PRODUCT.	Tolerance: ISO 2768 - cK
A1 Sheet No.: 1 of 1	First Angle Projection	Material specification:
Units: mm	Scale: 2:1	Creator: ScalCo, Stefano
		Date of Issue: 17-Oct-2016
BDR THERMEA		File: ANTIFR. FLUE TER.D.60-100 HE
Release Status: Production	Work In Progress: 7116504	Revision: 02
THE REPRODUCTION, DISTRIBUTION AND UTILIZATION OF THIS DOCUMENT AS WELL AS THE COMMUNICATION OF ITS CONTENTS TO OTHERS WITHOUT EXPRESS AUTHORIZATION IS PROHIBITED. OFFENDERS WILL BE HELD LIABLE FOR THE PAYMENT OF DAMAGE. ALL RIGHTS RESERVED IN THE EVENT OF THE GRANT OF A PATENT, UTILITY MODEL OR DESIGN.		