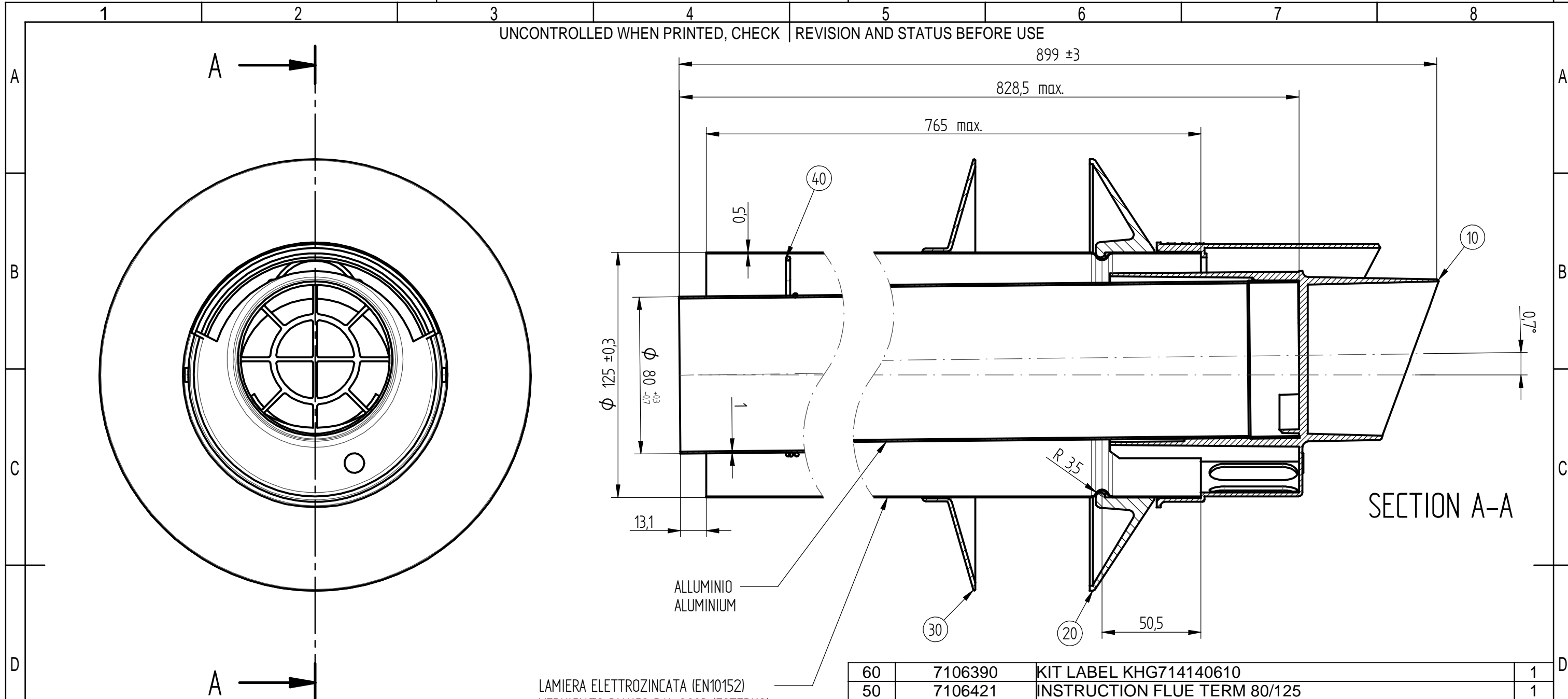


UNCONTROLLED WHEN PRINTED, CHECK REVISION AND STATUS BEFORE USE



LAMIERA ELETTOZINCATA (EN10152)
VERNICIATO BIANCO RAL 9003 (ESTERNO)

MATERIAL: ZINC COATED STEEL (EN10152)
WHITE RAL 9003 PAINTED

ITEM NO	PART NUMBER	DESCRIPTION	QTY
60	7106390	KIT LABEL KHG714140610	1
50	7106421	INSTRUCTION FLUE TERM 80/125	1
40	7106341	CENTERING SPRING 80/125	1
30	7106370	INTERNAL PLATE D125	1
20	7106369	OUTSIDE PLATE D125	1
10	7106371	FLUE TERMINAL SE 80/125	1

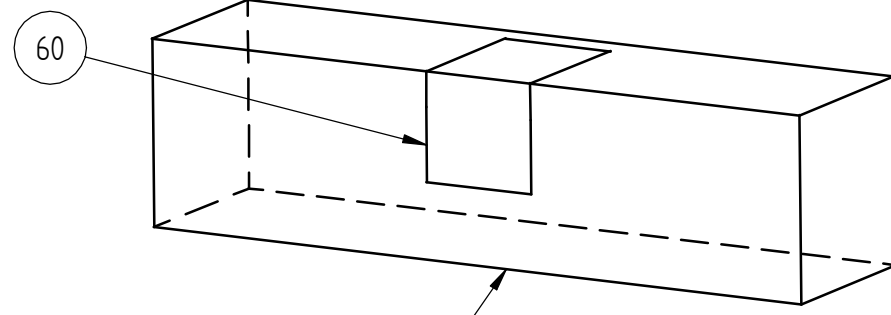
REVISION	MODIFICATION	ENGINEER	REFERS TO	DATE

BAXI S.p.A. A MEMBER OF BAXI GROUP		RELEASE STATUS. Production	ITEM NUMBER. 7106372,01	REVISION.
		ENGINEER. CHIURATO P.	DATE. 02-Feb-11	SHEET No. 1 of 1

© 2009	TITLE. KIT FLUE TERMINAL SE 80/125
UNITS. mm	SCALE. 1:2
MATERIAL SPECIFICATION.	

FIRST ANGLE PROJECTION.	TOLERANCE TO EN 22768 - mK UNLESS OTHERWISE SPECIFIED	QUALITY SIGNIFICANCE. [C]=CRITICAL [I]=IMPORTANT																					
	<table border="1"> <tr> <th>CLASS m</th> <th>0.5-3</th> <th>3-6</th> <th>6-30</th> <th>30-120</th> <th>120-400</th> <th>400-1m</th> </tr> <tr> <td>LINEAR</td> <td>±0.1</td> <td>±0.1</td> <td>±0.2</td> <td>±0.3</td> <td>±0.5</td> <td>±0.8</td> </tr> <tr> <td>RADI & CHAMFERS</td> <td>±0.4</td> <td>±1</td> <td>±2</td> <td>±3</td> <td>±5</td> <td>±8</td> </tr> </table>	CLASS m	0.5-3	3-6	6-30	30-120	120-400	400-1m	LINEAR	±0.1	±0.1	±0.2	±0.3	±0.5	±0.8	RADI & CHAMFERS	±0.4	±1	±2	±3	±5	±8	ITEM CATEGORY (1, 2 OR 3) 3 A3
CLASS m	0.5-3	3-6	6-30	30-120	120-400	400-1m																	
LINEAR	±0.1	±0.1	±0.2	±0.3	±0.5	±0.8																	
RADI & CHAMFERS	±0.4	±1	±2	±3	±5	±8																	

BAXI PRODUCT CODE: KHG714140610



SCATOLA CARTONE 1130x145x155
CARTON BOX 1130x145x155

NOTA: DISEGNO SCATOLA NON IN SCALA
NOTE: THE DRAWING OF THE BOX IS ONLY INDICATIVE