

BAXI



LUNA 3 COMFORT

SPARE PARTS CATALOGUE

- January 2015 -

HOW TO READ THE SPARE PARTS CATALOGUE

In the spare part catalogue, after the exploded diagrams, there are the components lists of the boilers; this is the meaning of the different columns:

Pos. Identification number of the component in the exploded diagram of the boiler.

Description Short description of the component.

Code BAXI S.p.A. code of the component.

Tab. XX XX is the exploded diagram number of the boiler taken into consideration.

Until 31th December 2011

From serial number Date (year and week) identifying the beginning of production of a component (taken from the serial number of the boiler).

e.g. **B005: year 2000** (B identifies the decade 2000-2009; 0 identifies the year) – **5th week**.

If the box is empty, the component is in use from the beginning of production of the boiler.

To serial number Date (year and week) identifying the end of production of a component (taken from the serial number of the boiler).

e.g. **B012: year 2000** (B identifies the decade 2000-2009; 0 identifies the year) – **12th week**.

If the box is empty, the component is still in use.

Interchangeable It identifies the interchangeability between the new component and the old one.

YES: components are interchangeable.

NO: components are not interchangeable.

FROM 1st January 2102

From serial number Date (year and week) identifying the beginning of production of a component (taken from the serial number of the boiler).

e.g. **1201: year 2012** (1 identifies the decade 2010-2019; 2 identifies the year) – **1th week**.

If the box is empty, the component is in use from the beginning of production of the boiler.

To serial number Date (year and week) identifying the end of production of a component (taken from the serial number of the boiler).

e.g. **1225: year 2012** (1 identifies the decade 2010-2019; 2 identifies the year) – **25th week**.

If the box is empty, the component is still in use.

Interchangeable It identifies the interchangeability between the new component and the old one.

YES: components are interchangeable.

NO: components are not interchangeable.

TABELLA COLLEGAMENTO CODICE CALDAIA - ESPLOSO
TABLEAU CONNECTION CODEX CHAUDIERE - VUE ECLATEE
BOILERS CONNECTION BOARD - EXPLODED VIEW

BOILER CODE	BOILER DESCRIPTION	EXPLODED REF.
CODICE CALDAIA	DESCRIZIONE CALDAIA	RIF. ESPLOSO
CODIGO CALDERA	DESCRIPCION CALDERA	REF. EXPLOSIONADO
CODE CHAUDIÈRE	DESCRIPTION CHAUDIÈRE	RÉF. EXPLOSÉE
CSZ456243584	LUNA3 COMFORT 240Fi	Tab 343
CSZ456243582/3	LUNA3 COMFORT 240Fi	Tab 343
CSZ456243581	LUNA3 COMFORT 240Fi	Tab 94
CSZ456243580	LUNA3 COMFORT 240Fi	Tab 94
CSZ452243584	LUNA3 COMFORT 240i	Tab 344
CSZ452243582/3	LUNA3 COMFORT 240i	Tab 344
CSZ452243581	LUNA3 COMFORT 240i	Tab 95
CSZ452243580	LUNA3 COMFORT 240i	Tab 95
CSZ456313584	LUNA3 COMFORT 310Fi	Tab 343
CSZ456313582/3	LUNA3 COMFORT 310Fi	Tab 343
CSZ456313581	LUNA3 COMFORT 310Fi	Tab 94
CSZ456313580	LUNA3 COMFORT 310Fi	Tab 94

Pos	Code	Description code	CSZ452243580 1.240f	CSZ452243581 1.240f	CSZ452243582/3 1.240f	CSZ452243584 2.240f	CSZ452243580 240f	CSZ452243581 240f	CSZ456243582/3 240f	CSZ456243584 240f	CSZ456313580 310f	CSZ456313581 310f	CSZ456313582/3 310f	CSZ456313584 310f	To serial number	From serial number	Intercha ngeable:
1	5681330	SUPPORT FRAME		•			•					•			B750		
1	5681330	SUPPORT FRAME	•				•				•						
1	5683090	SUPPORT FRAME			•	•			•	•			•	•			
1	5683090	SUPPORT FRAME		•				•					•			B751	NO
2	5116190	LEFT PANEL	•	•	•	•											
2	5681390	LEFT PANEL					•	•	•	•	•	•	•	•			
3	5116170	RIGHT PANEL	•	•	•	•											
3	5681380	RIGHT PANEL					•	•	•	•	•	•	•	•			
4	5115970	FRONTAL PANEL LUNA3	•	•	•	•	•	•	•	•	•	•	•	•			
5	5110290	BRACKET-UPPER SUPPORT	•	•	•	•	•	•	•	•	•	•	•	•			
6	5109640	BRACKET-LOWER SUPPORT	•	•	•	•	•	•	•	•	•	•	•	•			
8	5408080	PRESSURE SWITCH PIPE L=270					•	•	•	•	•	•	•	•			
9	5108700	RESTRICTOR-AIR INTAKE					•	•	•	•	•	•	•	•			
10	5207060	FLUE ADAPTOR					•	•	•	•	•	•	•	•			
11	5407890	GASKET ADAPTOR					•	•	•	•	•	•	•	•			
12	5108690	PLATE BLANKING					•	•	•	•	•	•	•	•			
13	5407400	SUCTION CAP GASKET					•	•	•	•	•	•	•	•			
15	600530	JOINT ASSEMBLY					•	•	•	•	•	•	•	•			
17	5213750	CONVEYOR BEND LUNA3					•	•	•	•	•	•	•	•			
18	5407050	PRESSURE SENSING VENTURI					•	•	•	•			•	•			
18	5413850	PRESS.SENS.VENTURI SINGLE TAP									•	•					
21	5402050	WASHER-SEALING	•	•	•	•	•	•	•	•	•	•	•	•			
22	5653850	FAN - 80					•	•	•	•							
22	5655730	FAN - 105									•	•	•	•			
23	628610	PRESS.SWITCH ASS. 0,68mbar HONEYW.									•	•	•	•			
23	628640	PRESS.SWITCH ASS.1.2mbar HONEYW.					•	•	•	•							
23	710789900	PRESSURE SWITCH ASSEMBLY HUBA									•	•	•	•	1448		
23	710790300	FLUE PRESS.SWITCH 1,2mBAR HUBA					•	•	•	•					1448		

Pos	Code	Description code	CSZ452243580 1.240i	CSZ452243581 1.240i	CSZ452243582/3 1.240i	CSZ452243584 2.240i	CSZ452243580 240Fi	CSZ456243581 240Fi	CSZ456243582/3 240Fi	CSZ456243584 240Fi	CSZ456313580 310Fi	CSZ456313581 310Fi	CSZ456313582/3 310Fi	CSZ456313584 310Fi	To serial number	From serial number	Intercha ngeable:
23	721890300	FLUE PRESS.SWITCH 70-60Pa HUBA									•	•	•	•		1449	YES
23	721890800	FLUE PRES.SWITCH 95-115Pa HUBA					•	•	•	•						1449	YES
24	5407930	PIPE - VALVE COMPENSATION					•	•	•	•					B923		
24	5414320	PIPE-VALVE COMPENS.4,5x8 L=170								•							
24	5414320	PIPE-VALVE COMPENS.4,5x8 L=170					•	•	•		•	•	•			B924	YES
25	5681090	CONVEYOR ASSEMBLY LUNA3					•	•	•	•	•	•	•				
27	5680950	COMBUSTION CHAMBER ASS. 31KW								•	•	•	•				
27	5681180	COMBUSTION CHAMBER ASS. 24Kw					•	•	•	•							
27	5681700	COMBUST.CHAMBER ASSEMBLY ATM	•	•	•	•											
28	5213190	INSULATING PANEL	•	•	•	•	•	•	•	•	•	•	•				
29	5213290	INSULATION - REAR PANEL	•	•	•	•	•	•	•	•	•	•	•				
30	5213310	INSULATING PANEL	•	•	•	•											
30	5213340	INSULATING PANEL					•	•	•	•	•	•	•				
31	5108030	CONBUSTION CHAMBER FRONT PLATE	•	•	•	•											
31	5111840	PANEL-COMBUSTION CHAMBER 80					•	•	•	•							
31	5111850	PANEL-COMB CHAMBER-105									•	•	•	•			
32	620860	H2O/GAS EXCHANGER 24KW+CLIP	•	•	•	•	•	•	•	•							
32	5680990	EXCHANGER ASS. CLIP 31KW									•	•	•	•			
32	5681190	HEATING EXCHANGER H2O/GAS 24Kw	•	•	•	•	•	•	•	•							
33	5403130	O-RING 22 x 3	•	•	•		•	•	•		•	•	•		1311		
33	710963000	OR 21,5X3 EP70 TFL				•				•							
33	710963000	OR 21,5X3 EP70 TFL	•	•	•		•	•	•		•	•	•			1312	YES
34	5113650	PRIMARY EXCHANGER FIXING CLIP	•	•	•	•	•	•	•	•	•	•	•				
35	5608840	EXPANSION VESSEL									•	•	•		C017		
35	5625560	VESSEL EXPANSION - 8L	•	•	•		•	•	•						C014		
35	5625570	VESSEL EXPANSION - 8L				•				•							
35	5625570	VESSEL EXPANSION - 8L	•	•	•		•	•	•							C015	YES
35	5690740	EXPANSION VESSEL 10 L											•				

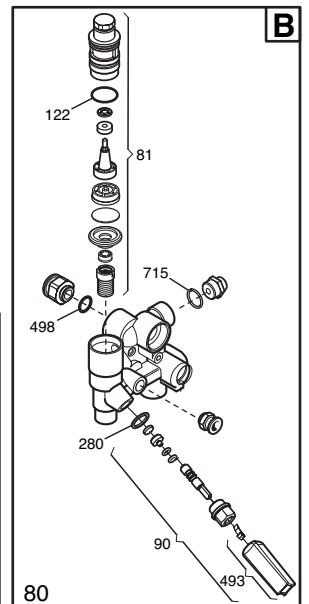
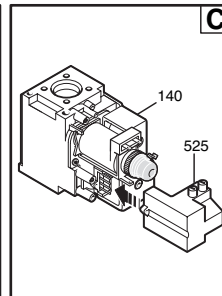
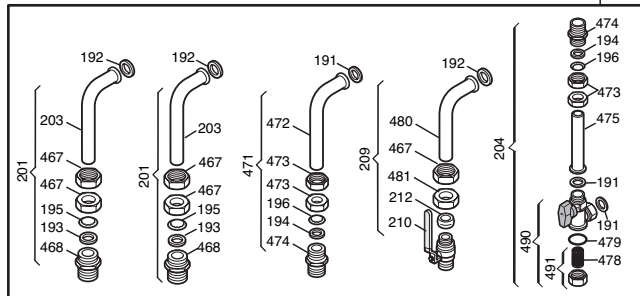
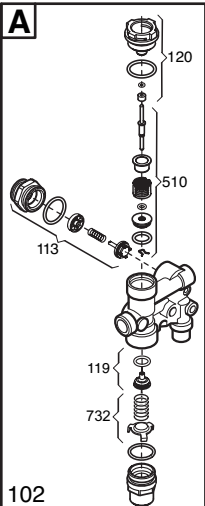
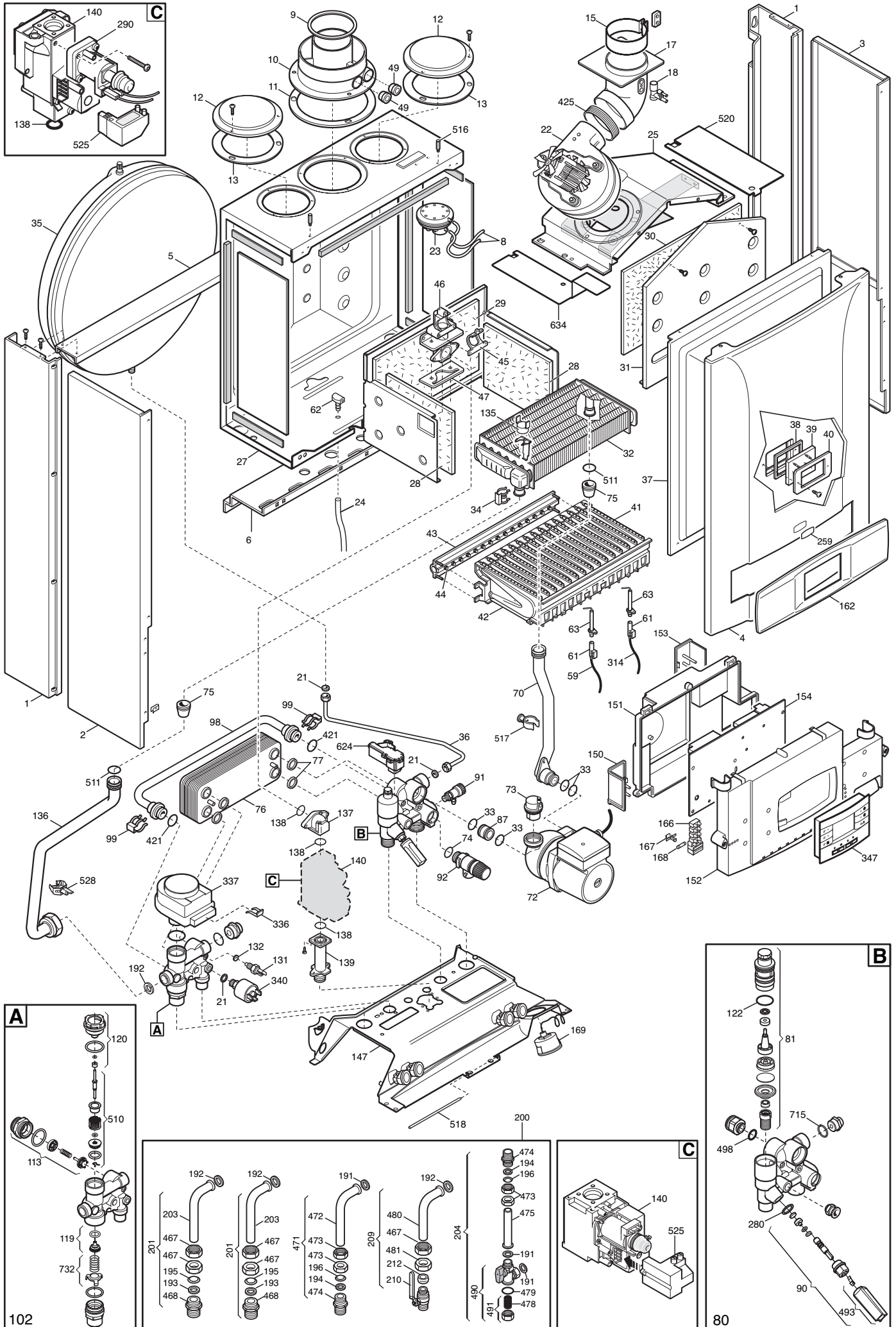
Pos	Code	Description code	CSZ452243580 1.240i	CSZ452243581 1.240i	CSZ452243582/3 2.240i	CSZ452243584 2.240i	CSZ452243580 2.40Fi	CSZ45243581 2.40Fi	CSZ456243582/3 2.40Fi	CSZ456243584 2.40Fi	CSZ456313580 3.10Fi	CSZ456313581 3.10Fi	CSZ456313582/3 3.10Fi	CSZ456313584 3.10Fi	To serial number	From serial number	Intercha ngeable:
35	5690740	EXPANSION VESSEL 10 L									•	•	•			C018	YES
36	5653290	PIPE - EXPANSION VESSEL	•	•	•	•	•	•	•	•	•	•	•	•			
37	5653710	PANEL COMBUSTION BOX FRONT 80					•	•								B734	YES
37	5653710	PANEL COMBUSTION BOX FRONT 80							•	•							
37	5655750	PANEL-COMBUSTION BOX											•	•			
37	5656490	PANEL COMBUSTION BOX FRONT 80					•	•								B733	
37	5656500	PANEL-COMBUSTION BOX FRONT 105									•	•					
38	5401610	VIEWING WINDOW GASKET					•	•	•	•	•	•	•	•			
39	5203930	VIEWING WINDOW					•	•	•	•	•	•	•	•			
40	5103360	SURROUND - VIEWING WINDOW					•	•	•	•	•	•	•	•			
41	5653300	BURNER ASSEMBLY (15 ELEMENTS)	•	•	•	•	•	•	•	•	•	•	•	•			
42	5604090	BURNER ELEMENT	•	•	•	•	•	•	•	•	•	•	•	•			
43	606140	MANIFOLD - BURNER	•	•	•	•	•	•	•	•							
43	5680970	GAS RAMP WITH INJECT. (D.1,28)									•	•	•	•			
44	601520	INJECTOR KIT D. 0,74	•	•	•	•	•	•	•	•							
44	608430	TRANSFORM. KIT N.G. (15x1,28)									•	•	•	•			
44	608440	TRANSFORM. KIT N.G. (18x1,18)	•	•	•	•	•	•	•	•							
44	608450	TRANSFORM.KIT LPG(15x 0,77)									•	•	•	•			
45	5407940	GASKET-BURNER MANIFOLD	•	•	•	•	•	•	•	•	•	•	•	•			
46	5657180	ADAPTOR-MANIFOLD	•	•	•	•	•	•	•	•	•	•	•	•			
47	5407810	GASKET-MANIFOLD ADAPTOR					•	•	•	•	•	•	•	•			
48	5116650	BURNER PROTECTION	•	•	•	•											
49	5207070	FLUE SAMPLE PLUG					•	•	•	•	•	•	•	•			
59	8419050	LEAD - IGNITION ELECTRODE	•	•	•	•	•	•	•	•	•	•	•	•			
61	5404920	INSULATION BOOT-ELECTRODES	•	•	•	•											
61	5407830	INSULATION BOOT - ELECTRODE					•	•	•	•	•	•	•	•			
62	5409570	SEALED CHAMBER HOSE ADAPTER					•	•	•	•	•	•	•	•			
63	8422570	ELECTRODE - IGNITION	•	•	•	•	•	•	•	•	•	•	•	•			

Pos	Code	Description code	CSZ452243580 1.240i	CSZ452243581 1.240i	CSZ452243582/3 1.240i	CSZ452243584 2.240i	CSZ456243580 240Fi	CSZ456243581 240Fi	CSZ456243582/3 240Fi	CSZ456243584 240Fi	CSZ456313580 310Fi	CSZ456313581 310Fi	CSZ456313582/3 310Fi	CSZ456313584 310Fi	To serial number	From serial number	Intercha ngeable:
70	5681020	EXCHANGER/PUMP PIPE ASSEMBLY	•	•													
70	5681020	EXCHANGER/PUMP PIPE ASSEMBLY					•	•			•	•			B719		
70	5688900	PIPE ASSEMBLY PUMP/EXCHANGER			•				•			•					
70	5688900	PIPE ASSEMBLY PUMP/EXCHANGER					•	•			•	•				B720	NO
70	711192200	PUMP/EXCHANGER PIPE ASSEMBLY				•								•			
72	5659550	PUMP UPS 15-60 AO & CONNECTOR									•	•	•	•			
72	5661200	PUMP UP 15-50/CONNECTOR	•	•	•	•	•	•	•	•	•	•	•	•			
73	607290	AUTOMATIC AIR VENT	•	•	•	•	•	•	•	•	•	•	•	•			
74	5406360	O-RING 14X1,78 EP	•	•	•	•	•	•	•	•	•	•	•	•			
75	5404670	GROMMET - PIPE ASSEMBLY					•	•	•	•	•	•	•	•			
76	5653660	DHW PLATE EXCHANGER -12 PLATES	•	•			•	•							B649		
76	5655780	DHW PLATE EXCHANG. 16 PLATES								•	•				B649		
76	5686670	DHW PLATE EXCHANGER 12 PLATES			•				•								
76	5686670	DHW PLATE EXCHANGER 12 PLATES	•	•			•	•								B650	YES
76	5686680	DHW PLATE EXCHANGER 14 PLATE											•				
76	5686680	DHW PLATE EXCHANGER 14 PLATE									•	•				B730	YES
76	5686690	DHW PLATE EXCHANGER 16 PLATES									•	•			B729	B650	YES
76	711612800	DHW PLATE EXCHANGER 12 PLATES				•					•						
76	711613000	DHW PLATE EXCHANGER 14 PLATES												•			
77	5404520	DHW PLATE EXCHANGER GASKET	•	•	•		•	•	•	•	•	•	•				
77	711613500	DHW PLATE EXCHANGER OR				•								•			
80	5680920	GROUP -15.0553-	•	•			•	•			•	•					
80	5693860	HYDR.INLET GR.WITH BYPASS			•				•				•				
80	711608300	HYDRAULIC INLET GROUP				•								•			
81	620340	FILTER-TRASDUC GROUP -100078-	•	•	•	•	•	•	•	•	•	•	•	•			
87	631680	PUMP CONNECTING ELEMENT/OR	•	•	•		•	•	•	•	•	•	•			1302	YES
87	5210710	PUMP CONNECTING ELEMENT	•	•	•		•	•	•	•	•	•	•		1301		
87	711652300	PUMP CONNECTING ELEMENT/OR				•								•			

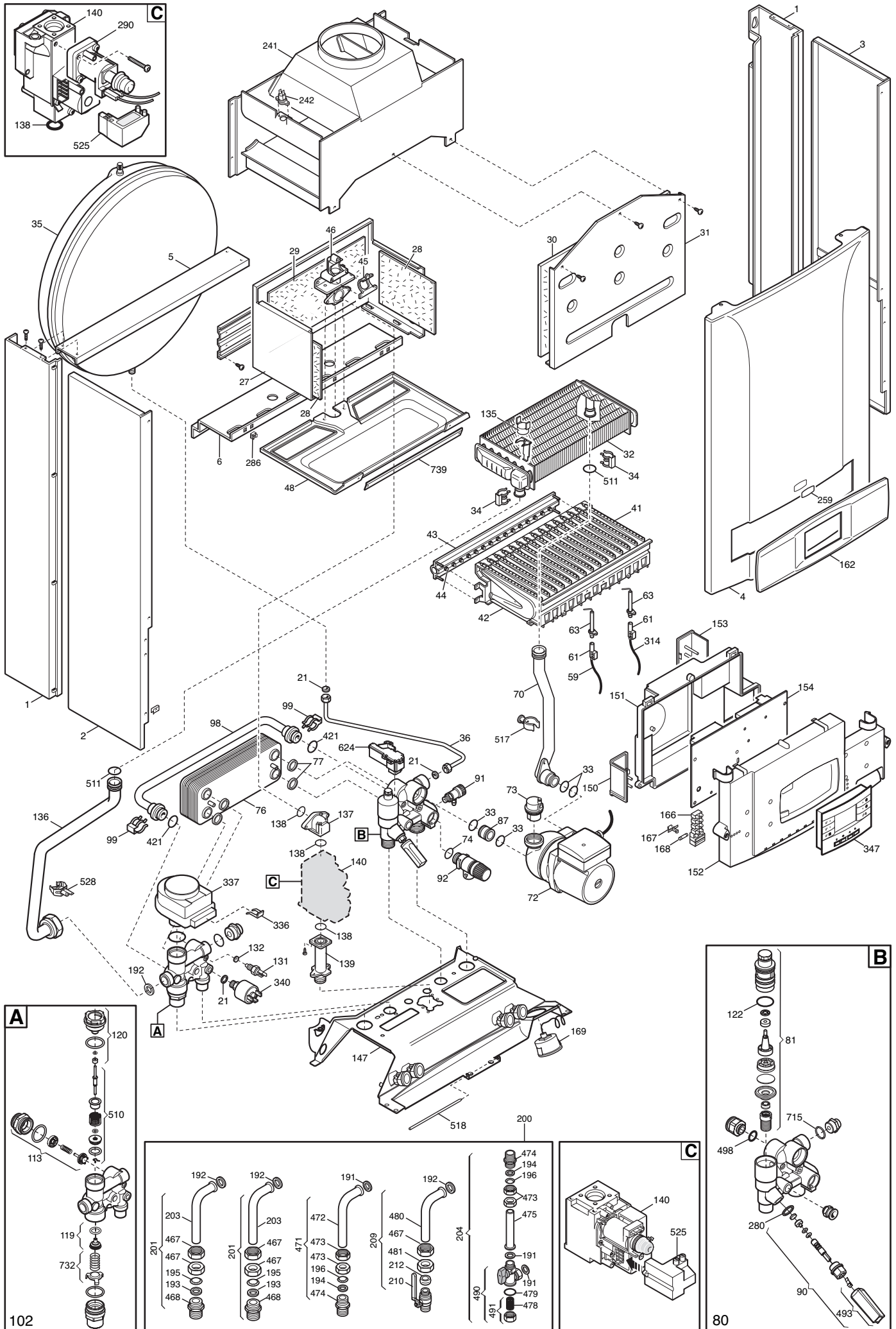
Pos	Code	Description code	CSZ452243580 1.240i	CSZ452243581 1.240i	CSZ452243582/3 1.240i	CSZ452243584 2.240i	CSZ456243580 240Fi	CSZ456243581 240Fi	CSZ456243582/3 240Fi	CSZ456243584 240Fi	CSZ456313580 310Fi	CSZ456313581 310Fi	CSZ456313582/3 310Fi	CSZ456313584 310Fi	To serial number	From serial number	Intercha ngeable:
210	9950830	GAS TAP	•	•	•	•	•	•	•	•	•	•	•	•			
212	5408330	BICONIC GASKET	•	•			•	•			•	•					
241	5669470	AIR CHAMBER ASSEMBLY	•	•	•	•											
242	606930	FLUE SAFETY THERMOSTAT 60C	•	•	•	•											
259	5681120	BRAND BAXI LUNA3	•	•	•	•	•	•	•	•	•	•	•	•			
280	5207730	GASKET 14,2X18X1,5	•	•	•	•	•	•	•	•	•	•	•	•			
286	8240530	NUT M5	•	•	•	•											
290	5665230	MODULATION COIL ASSY	•	•	•		•	•	•		•	•	•				
314	8418870	LEAD - SENSING ELECTRODE	•	•	•	•	•	•	•	•	•	•	•	•			
336	8380680	CLIP-RETAINING	•	•	•	•	•	•	•	•	•	•	•	•			
337	5647340	MOTOR-3 WAY VALVE	•	•			•	•			•	•			B952		
337	5694580	3 WAY VALVE MOTOR			•	•			•	•			•	•			
337	5694580	3 WAY VALVE MOTOR	•	•			•	•			•	•				B953	YES
340	5663750	PRESSURE SWITCH	•	•			•	•			•	•			B714		
340	9951690	PRESSURE SWITCH			•	•			•	•			•	•			
340	9951690	PRESSURE SWITCH	•	•			•	•			•	•				B715	YES
347	5682690	REMOTE CONTROL ASSEMBLY	•	•	•	•	•	•	•	•	•	•	•	•			
421	5408270	O-RING 11,91 X 2,62 NBR	•	•			•	•			•	•					
425	5412270	GASKET FAN HT					•	•	•	•	•	•	•				
467	9950310	NUT G 3/4	•	•			•	•			•	•					
468	5627970	CONNECTING ELEMENT G 3/4	•	•			•	•			•	•					
471	5625960	DHW OUTLET	•	•			•	•			•	•					
471	5625960	DHW OUTLET			•				•				•		B928		
472	5627990	SANITARY OUTLET PIPE	•	•			•	•			•	•					
473	9950300	NUT G 1/2	•	•			•	•			•	•					
474	5627980	CONNECTING ELEMENT G 1/2	•	•			•	•			•	•					
475	5628000	SANITARY INLET PIPE	•	•			•	•			•	•					
478	624480	SANITARY FILTER ASSEMBLY	•	•			•	•			•	•					

Pos	Code	Description code	CSZ452243580 1.240f	CSZ452243581 1.240f	CSZ452243582/3 1.240f	CSZ452243584 2.240f	CSZ452243580 2.40f	CSZ452243581 2.40f	CSZ452243582/3 2.40f	CSZ452243584 2.40f	CSZ456243580 3.10f	CSZ456243581 3.10f	CSZ456243582/3 3.10f	CSZ456243584 3.10f	To serial number	From serial number	Intercha ngeable:
478	624480	SANITARY FILTER ASSEMBLY			•				•				•		B928		
479	5405190	O RING FILTER TAP	•	•			•	•			•	•			B928		
479	5405190	O RING FILTER TAP			•				•				•				
480	5628010	GAS CONNECTING PIPE	•	•			•	•			•	•					
481	5628030	NUT G 3/4	•	•			•	•			•	•					
490	5625970	DHW INLET TAP WITH FILTER	•	•	•	•	•	•	•	•	•	•	•	•			
491	624440	PLUG G1/2 FILTER ASSEMBLY			•				•				•		B928		
491	624440	PLUG G1/2 FILTER ASSEMBLY	•	•			•	•			•	•				B730	YES
491	5637070	PLUG WITH FILTER ASSEMBLY	•	•			•	•			•	•			B729		
493	605660	FILLING KNOB ASSEMBLY	•	•	•	•	•	•	•	•	•	•	•	•			
498	400030	O-RING	•	•			•	•			•	•					
510	600760	DHW PADDLE ASSEMBLY	•	•			•	•			•	•					
511	5404600	O.R. 17,86x2,62	•	•	•	•	•	•	•	•	•	•	•	•			
516	5210670	STUD-FRONT PANEL					•	•	•	•	•	•	•	•			
517	5407840	CLIP-PLASTIC	•	•	•	•	•	•	•	•	•	•	•	•			
518	5112040	PIN - HINGED FACIA PANEL	•	•	•	•	•	•	•	•	•	•	•	•			
520	5112050	AIR DEFLECTOR					•	•	•	•	•	•	•	•			
525	8419060	IGNITION UNIT - NAC	•	•	•	•	•	•	•	•	•	•	•	•			
525	8510910	CABLE-GAS VALVE/IGNITER	•	•	•	•	•	•	•	•	•	•	•	•			
525	8511560	SAC IGNITOR L 600	•	•	•	•	•	•	•	•	•	•	•	•			
528	8435360	NTC SENSOR (ITS)	•	•	•	•	•	•	•	•	•	•	•	•			
624	8435380	FLOW RILEVATOR	•	•	•	•	•	•	•	•	•	•	•	•			
634	5115960	LEFT AIR DEFLECTOR LUNA3					•	•	•	•	•	•	•	•			
715	5402700	ORING 15,60X1,78	•	•			•	•			•	•					
732	620210	SPRING ASS.	•	•			•	•			•	•					
739	5116660	BURNER PROTECTION PROFILE	•	•	•	•											
808	721311400	O-RING 18X2				•								•			
809	711615000	SPRING				•								•			

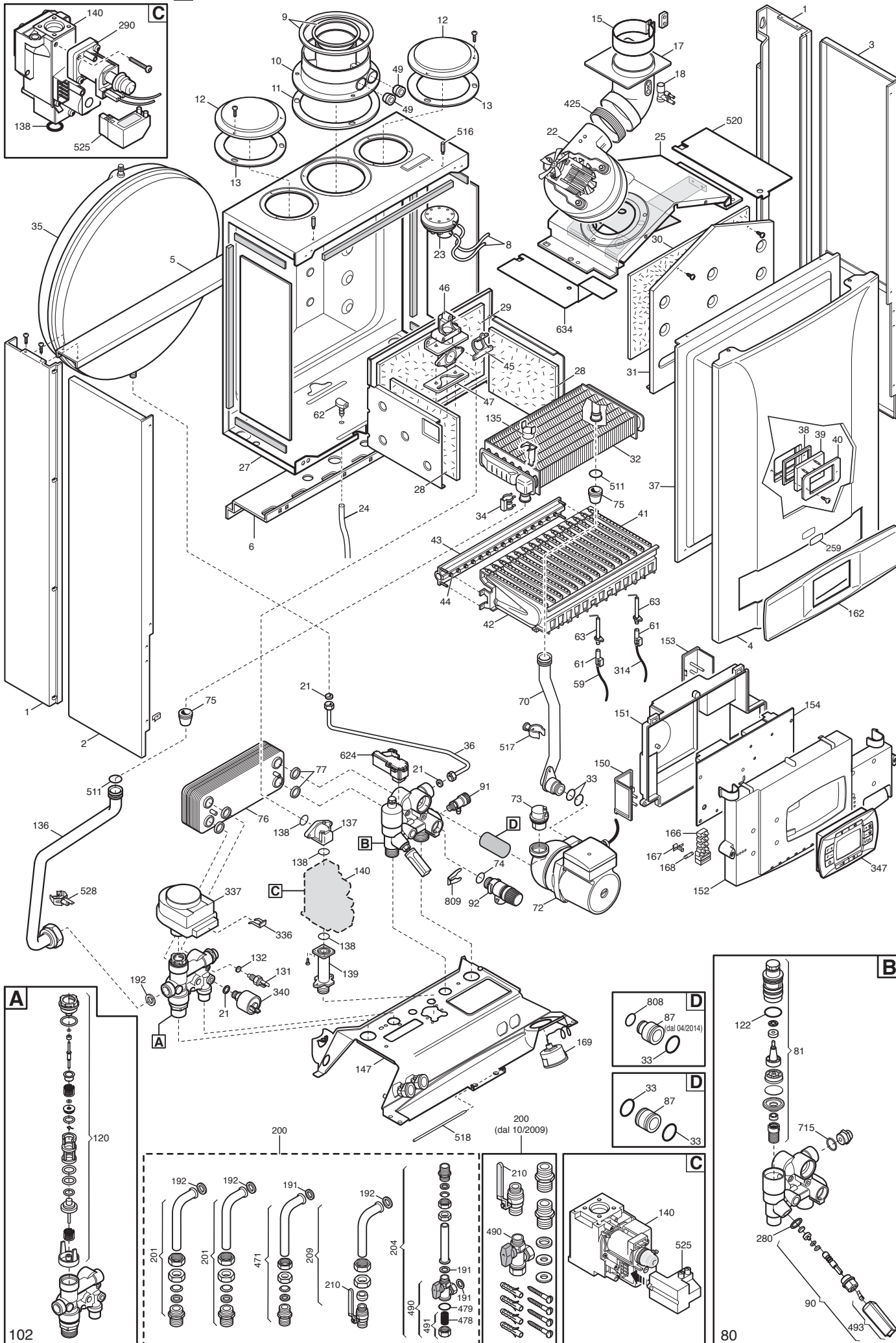
Tab 94



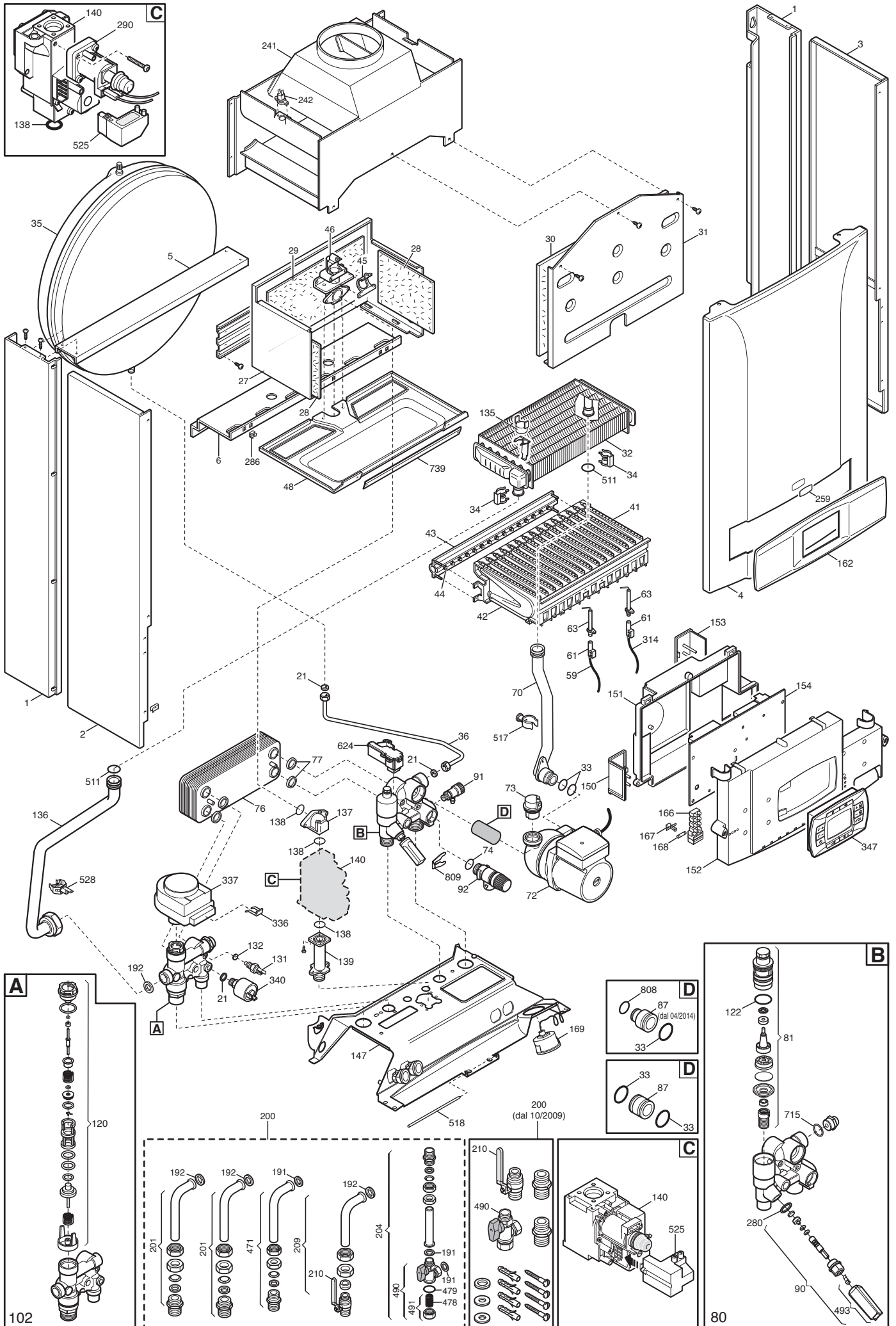
Tab 95



Luna3 240_310 Fi comfort



Luna3 240 i comfort



BAXI

BAXI S.p.A.
Via Trozzetti, 20
36061 BASSANO DEL GRAPPA (VI)
ITALY
Tel. +390424517111
Telefax +390424517379
E-mail. service@baxi.it