

**WESTEN**

The smart choice for your home comfort



# ***PULSAR E***

**SPARE PARTS CATALOGUE**

**- september 2015 -**



# HOW TO READ THE SPARE PARTS CATALOGUE

In the spare part catalogue, after the exploded diagrams, there are the components lists of the boilers; this is the meaning of the different columns:

Pos. Identification number of the component in the exploded diagram of the boiler.

Description Short description of the component.

Code BAXI S.p.A. code of the component.

Tab. XX XX is the exploded diagram number of the boiler taken into consideration.

From serial number Date (year and week) identifying the beginning of production of a component (taken from the serial number of the boiler).  
e.g. 1205: year 2012 (1 identifies the decade 2010-2019; 2 identifies the year) – 5th week.  
If the box is empty, the component is in use from the beginning of production of the boiler.

To serial number Date (year and week) identifying the end of production of a component (taken from the serial number of the boiler).  
e.g. 1235: year 2012 (1 identifies the decade 2010-2019; 2 identifies the year) – 35th week.  
If the box is empty, the component is still in use.

Interchangeable It identifies the interchangeability between the new component and the old one.  
YES: components are interchangeable.  
NO: components are not interchangeable.

## TABELLA COLLEGAMENTO CODICE CALDAIA - ESPLOSO TABLEAU CONNECTION CODEX CHAUDIERE - VUE ECLATEE BOILERS CONNECTION BOARD - EXPLODED VIEW

<b>BOILER CODE</b>	<b>BOILER DESCRIPTION</b>	<b>EXPLODED REF.</b>
<b>CODICE CALDAIA</b>	<b>DESCRIZIONE CALDAIA</b>	<b>RIF. ESPLOSO</b>
<b>CODIGO CALDERA</b>	<b>DESCRIPCION CALDERA</b>	<b>REF. EXPLOSIONADO</b>
<b>CODE CHAUDIÈRE</b>	<b>DESCRIPTION CHAUDIÈRE</b>	<b>RÉF. EXPLOSÉE</b>
711312001	PULSAR E 1.24 F	Tab 502
711311901	PULSAR E 24 F	Tab 501

# PULSAR E

01/12/2015

Pos	Code	Description code			To serial number	From serial number	Intercha ngeable:
			711312001 1.24F	711311901 24F			
2	710556300	LEFT PANEL ASSEMBLY	•	•			
3	710556400	RIGHT PANEL ASSEMBLY	•	•			
4	711285300	FRONTAL PANEL PULSAR ASS.	•	•			
9	631760	FLUE RESTRICTOR MAIN5	•	•			
22	710365100	FAN 30W	•	•			
25	710808100	COMBUSTION CHAMBER ASSEMBLY	•	•			
27	710507500	C FRAME ECO5	•	•			
28	710495700	LATERAL INSULATING PANEL	•	•			
29	710495600	REAR INSULATING PANEL	•	•			
30	710391300	FRONTAL INSULATING PANEL	•	•			
32	710592300	H2O/EXCHANGER ECO5	•	•			
33	710963000	OR 21,5X3 EP70 TFL	•	•			
34	5113650	PRIMARY EXCHANGER FIXING CLIP	•	•			
35	710418200	EXPANSION VESSEL 8L CIMM	•	•			
36	711412700	EXPANSION VESSEL PIPE ECO5	•	•			
37	710795800	SEALED CHAMBER FRONT PANEL	•	•			
41	710516000	BURNER 11 ELEMENTS	•	•			
43	710807300	GAS RAMP 11 INJECTORS	•	•			
44	5214470	INJECTOR diameter 1,35 mm	•	•			
44	711368600	KIT TRANSF. G31 11X0,85	•	•			
48	710733000	BURNER TRAY	•	•			
49	5409520	HOSE ADAPTER CAP	•	•			
63	711333500	ELECTRODE	•	•	1536		
63	711404900	ELECTRODE	•	•		1537	YES
70	710593900	PIPE PUMP/EXCHANGER	•	•			
72	710820200	PUMP WILO 5M WHITE GOOD	•	•			
73	710139500	AUTOMATIC AIR VENT WI	•	•			
76	5686660	DHW PLATE EXCHANGER 10 PLATES	•				
77	5404520	DHW PLATE EXCHANGER GASKET	•				
81	710048100	DHW CARTRIDGE	•				
90	710046600	FILLING TAP ASSY	•	•			
91	710045500	DISCHARGE TAP CONNECTION	•	•			
92	710109400	HYDRAULIC SAFETY VALVE 3 BAR	•	•			
98	710046300	BY-PASS CONNECTION ASSY	•	•			
113	710048300	BY-PASS CARTRIDGE	•	•			
114	710046400	O-RING d.15,54X2,62	•	•			
120	710144100	3WV CARTRIDGE	•		1448		
120	721403800	3WV CARTRIDGE	•			1449	YES
122	710047800	O-RING d.23,47X2,62	•	•			
128	710048800	O-RING d.8,9X1,9	•	•			
131	710056200	NTC SENSOR HONEYWELL	•		1422		
131	721309400	NTC SENSOR NICKEL	•			1423	YES
132	710049100	O-RING d.11,91X2,62 OR115	•				

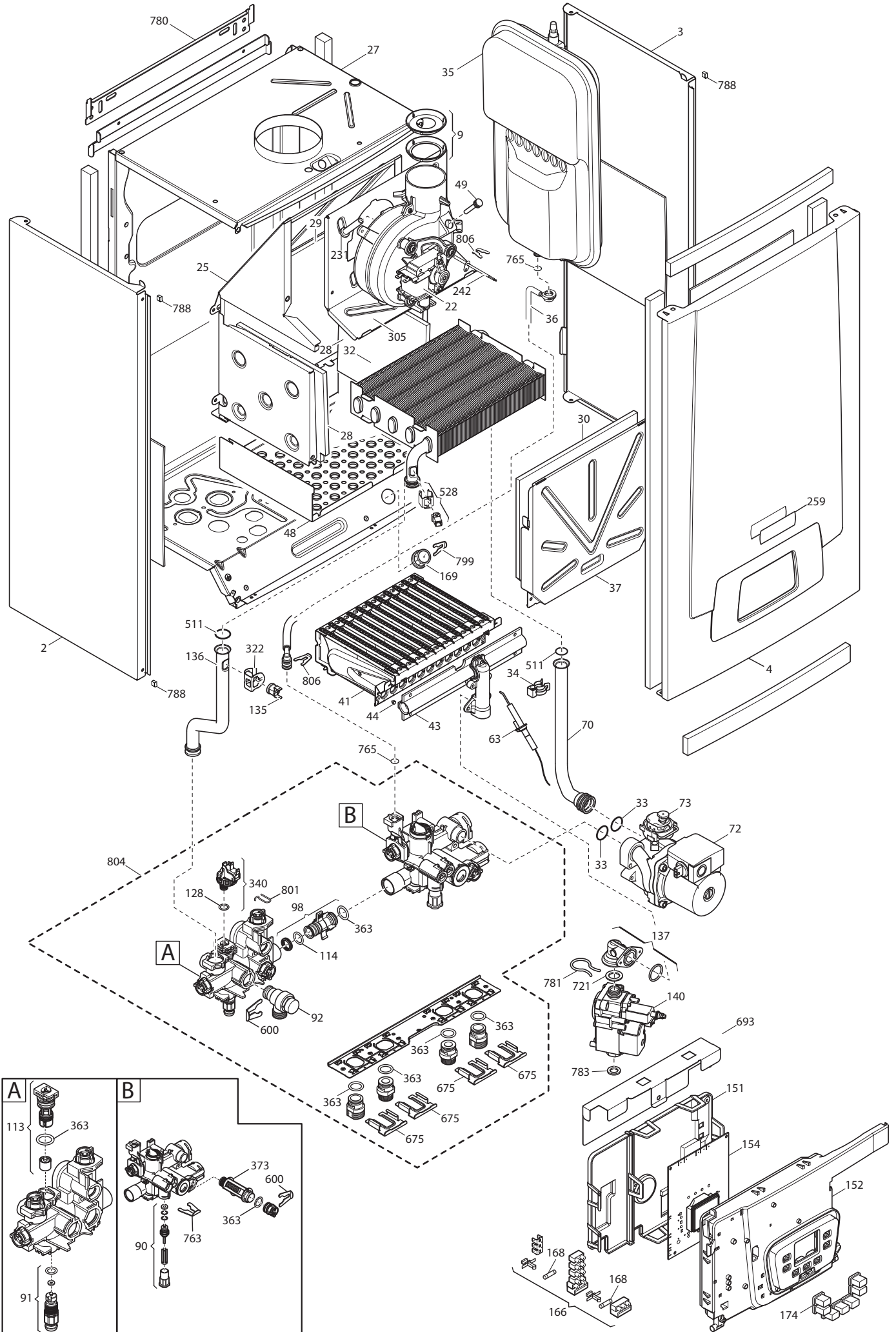
# PULSAR E

01/12/2015

Pos	Code	Description code	711312001		To serial number	From serial number	Intercha ngeable:
			711311901 24F	124F			
135	9951610	LIMIT THERMOSTAT 105°C	•	•			
136	711159000	PIPE EXCHANG./INLET ECO5	•	•			
137	710585800	CONNECTION GAS VALVE/OR	•	•			
140	710660400	GAS VALVE VK4105M	•	•			
151	710654600	BOX COVER	•	•			
152	710803900	PRINTED CONTR.PANEL WESTEN400	•	•			
154	711476200	PCB HON. ECO5/MAIN5	•	•	1447		
154	721824700	PCB HON. ECO5/MAIN5	•	•		1448	YES
166	5688430	TERM.BOARD/DOUBLE FUSE HOLDER	•	•			
168	9950580	FUSE	•	•			
169	710673600	MANOMETER D.28	•	•			
174	710954700	KEYBOARD	•	•			
231	710452800	FLUE INTAKE	•	•			
242	710743700	FLUE SENSOR/CABLE	•	•			
259	710859200	PULSAR E BRAND	•	•			
305	710495200	FAN BRACKET	•	•			
322	710538300	CLIP TH	•	•			
336	710047400	CLIP - 3WV MOTOR HEAD	•				
337	710047300	3WV MOTOR HEAD	•				
340	710048500	ON/OFF CH PRESSURE SWITCH	•	•	1448		
340	721384000	ON/OFF CH PRESSURE SWITCH	•	•		1449	YES
363	710045300	O-RING d.17,96X2,62	•	•			
373	710047100	CH FILTER	•	•			
511	711230600	OR 17,13X2,62 EP70 TFL	•	•			
528	710666500	NTC SENSOR D14	•	•			
600	710045400	CLIP FLAT d.18	•	•			
624	710976600	HALL SENSOR ASSY	•				
675	710046100	CLIP BRASS ADAPTOR	•	•			
693	710783700	PRINTED CNTR. PANEL PROTECTION	•	•			
721	710660300	OR d.19,3X3,6 HNBR	•	•			
763	710046700	CLIP FLAT d.12	•	•			
764	710047500	CLIP U d.3	•				
765	710045700	O-RING d.9,19 X 2,62	•	•			
767	710046900	PTP EXCH FIXING SCREW	•				
780	710633100	UPPER SUPPORT	•	•			
781	710539600	CLIP GAS PIPE	•	•			
783	710039500	HYDRAULIC GROUP GASKET	•	•			
788	710176000	COMBUSTION CHAMBER GASKET C	•	•			
799	710654100	SPRING FIXING D.9	•	•			
801	710048700	CLIP CH PRESSURE SWITCH	•	•			
804	711231000	HYDRAULIC GROUP BITRON ECO5	•				
804	711286700	HYDR. GROUP. BITRON ECO5 MONO.		•			
806	5117880	CLIP d.10 BITRON	•	•			









**WESTEN**

**BAXI S.p.A.**  
**Via Trozzetti, 20**  
**36061 BASSANO DEL GRAPPA (VI) ITALY**  
**Tel. +390424517111 Telefax +390424517379**  
**Web site: [www.baxi.it](http://www.baxi.it) e-mail: [service@baxi.it](mailto:service@baxi.it)**