

WESTEN

The smart choice for your home comfort



PULSAR E

SPARE PARTS CATALOGUE

- November 2015 -

TABELLA COLLEGAMENTO CODICE CALDAIA - ESPLOSO
TABLEAU CONNECTION CODEX CHAUDIERE - VUE ECLATEE
BOILERS CONNECTION BOARD - EXPLODED VIEW

BOILER CODE	BOILER DESCRIPTION	EXPLODED REF.
CODICE CALDAIA	DESCRIZIONE CALDAIA	RIF. ESPLOSO
CODIGO CALDERA	DESCRIPCION CALDERA	REF. EXPLOSIONADO
CODE CHAUDIÈRE	DESCRIPTION CHAUDIÈRE	RÉF. EXPLOSÉE
711312002/3	PULSAR E 1.24F	Tab 502
711311902/3	PULSAR E 24F	Tab 501

PULSAR E

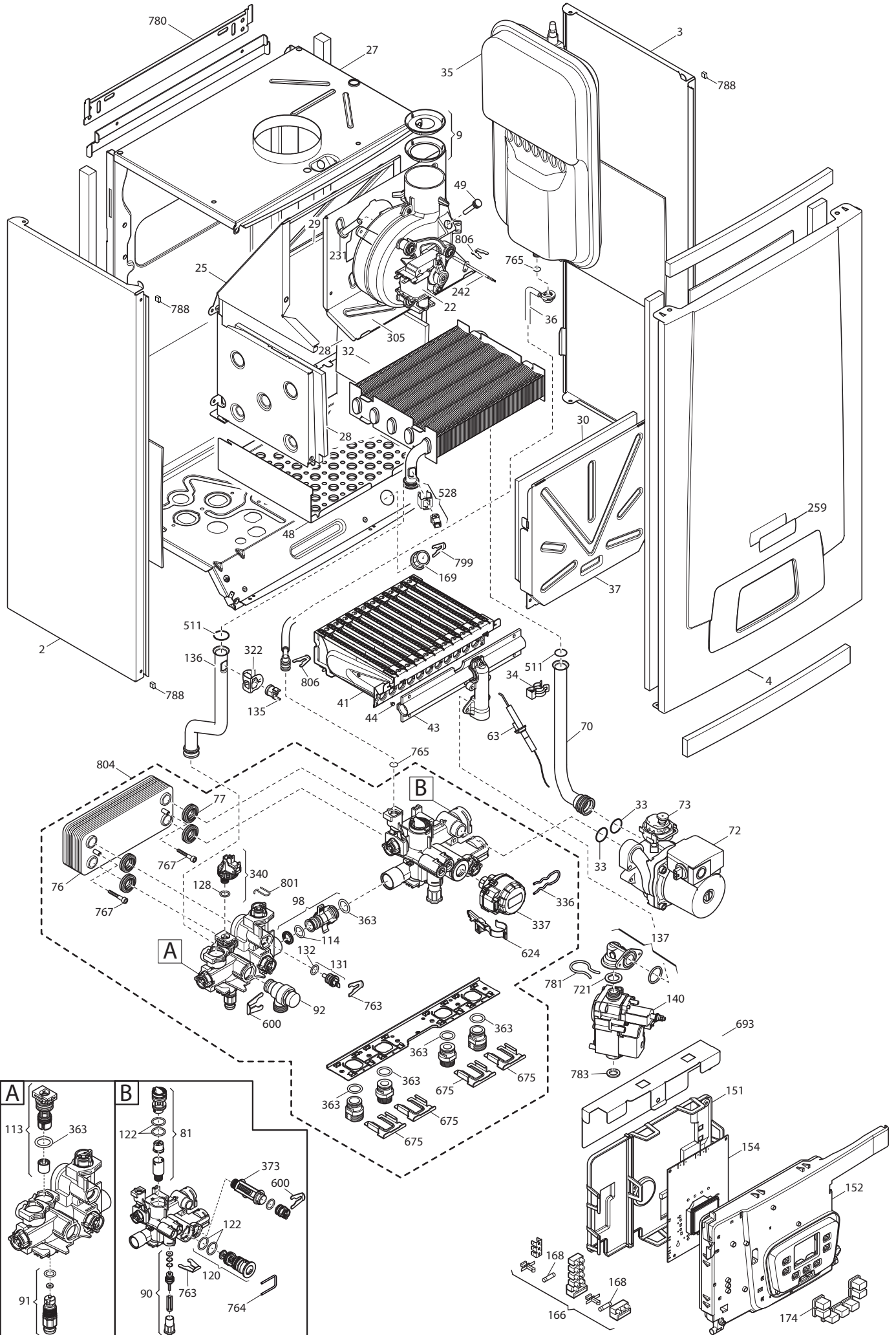
01/12/2015

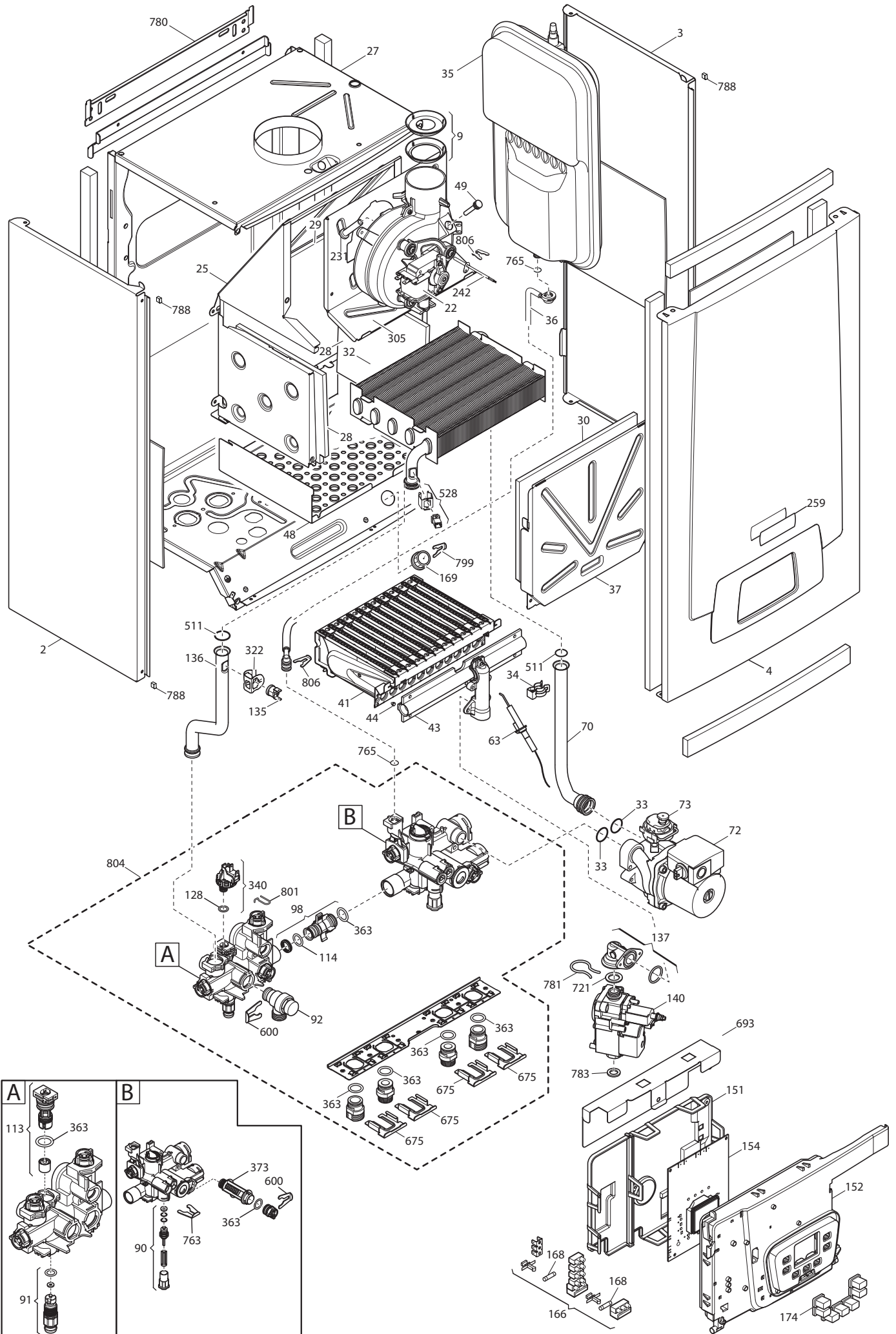
Pos	Code	Description code	711312002/3		To serial number	From serial number	Intercha ngeable:
			1,24 F	24 F			
2	710556300	LEFT PANEL ASSEMBLY	•	•			
3	710556400	RIGHT PANEL ASSEMBLY	•	•			
4	711285300	FRONTAL PANEL PULSAR ASS.	•	•			
9	631760	FLUE RESTRICTOR MAIN5	•	•			
22	710365100	FAN 30W	•	•			
25	710808100	COMBUSTION CHAMBER ASSEMBLY	•	•			
27	710507500	C FRAME ECO5	•	•			
28	710495700	LATERAL INSULATING PANEL	•	•			
29	710495600	REAR INSULATING PANEL	•	•			
30	710391300	FRONTAL INSULATING PANEL	•	•			
32	710592300	H2O/EXCHANGER ECO5	•	•			
33	710963000	OR 21,5X3 EP70 TFL	•	•			
34	5113650	PRIMARY EXCHANGER FIXING CLIP	•	•			
35	710418200	EXPANSION VESSEL 8L CIMM	•	•			
36	711412700	EXPANSION VESSEL PIPE ECO5	•	•			
37	710795800	SEALED CHAMBER FRONT PANEL	•	•			
41	710516000	BURNER 11 ELEMENTS	•	•			
43	710807300	GAS RAMP 11 INJECTORS	•	•			
44	5214470	INJECTOR diameter 1,35 mm	•	•			
44	711368600	KIT TRANSF. G31 11X0,85	•	•			
48	710733000	BURNER TRAY	•	•			
49	5409520	HOSE ADAPTER CAP	•	•			
63	711404900	ELECTRODE	•	•			
70	710593900	PIPE PUMP/EXCHANGER	•	•			
72	721957600	PUMP 5M NO CE	•	•			
73	7219215	AIR VENT PUMP WI.	•	•			
76	5686660	DHW PLATE EXCHANGER 10 PLATES	•				
77	5404520	DHW PLATE EXCHANGER GASKET	•				
81	710048100	DHW CARTRIDGE	•				
90	710046600	FILLING TAP ASSY	•	•			
91	710045500	DISCHARGE TAP CONNECTION	•	•			
92	710109400	HYDRAULIC SAFETY VALVE 3 BAR	•	•			
98	710046300	BY-PASS CONNECTION ASSY	•	•			
113	710048300	BY-PASS CARTRIDGE	•	•			
114	710046400	O-RING d.15,54X2,62	•	•			
120	721403800	3WV CARTRIDGE	•				
122	710047800	O-RING d.23,47X2,62	•	•			
128	710048800	O-RING d.8,9X1,9	•	•			
131	721309400	NTC SENSOR NICKEL	•				
132	710049100	O-RING d.11,91X2,62 OR115	•				
135	9951610	LIMIT THERMOSTAT 105°C	•	•			
136	711159000	PIPE EXCHANG./INLET ECO5	•	•			
137	710585800	CONNECTION GAS VALVE/OR	•	•			

PULSAR E

01/12/2015

Pos	Code	Description code	711312002/3		To serial number	From serial number	Intercha ngeable:
			1,24 F	24 F			
140	710660400	GAS VALVE VK4105M	•	•			
151	710654600	BOX COVER	•	•			
152	710803900	PRINTED CONTR.PANEL WESTEN400	•	•			
154	721824700	PCB HON. ECO5/MAIN5	•	•			
166	5688430	TERM.BOARD/DOUBLE FUSE HOLDER	•	•			
168	9950580	FUSE	•	•			
169	710673600	MANOMETER D.28	•	•			
174	710954700	KEYBOARD	•	•			
231	710452800	FLUE INTAKE	•	•			
242	710743700	FLUE SENSOR/CABLE	•	•			
259	710859200	PULSAR E BRAND	•	•			
305	710495200	FAN BRACKET	•	•			
322	710538300	CLIP TH	•	•			
336	710047400	CLIP - 3WV MOTOR HEAD	•				
337	710047300	3WV MOTOR HEAD	•				
340	721384000	ON/OFF CH PRESSURE SWITCH	•	•			
363	710045300	O-RING d.17,96X2,62	•	•			
373	710047100	CH FILTER	•	•			
511	711230600	OR 17,13X2,62 EP70 TFL	•	•			
528	710666500	NTC SENSOR D14	•	•			
600	710045400	CLIP FLAT d.18	•	•			
624	710976600	HALL SENSOR ASSY	•				
675	710046100	CLIP BRASS ADAPTOR	•	•			
693	710783700	PRINTED CNTR. PANEL PROTECTION	•	•			
721	710660300	OR d.19,3X3,6 HNBR	•	•			
763	710046700	CLIP FLAT d.12	•	•			
764	710047500	CLIP U d.3	•				
765	710045700	O-RING d.9,19 X 2,62	•	•			
767	710046900	PTP EXCH FIXING SCREW	•				
780	710633100	UPPER SUPPORT	•	•			
781	710539600	CLIP GAS PIPE	•	•			
783	710039500	HYDRAULIC GROUP GASKET	•	•			
788	710176000	COMBUSTION CHAMBER GASKET C	•	•			
799	710654100	SPRING FIXING D.9	•	•			
801	710048700	CLIP CH PRESSURE SWITCH	•	•			
804	711231000	HYDRAULIC GROUP BITRON ECO5	•				
804	711286700	HYDR. GROUP. BITRON ECO5 MONO.		•			
806	5117880	CLIP d.10 BITRON	•	•			
999	8414540	CABLE ROOM TH	•	•			
999	8414620	POWER CABLE	•	•			
999	710678000	GAS VALVE CABLE HON.	•	•			
999	710794400	LOW POWER CABLE 7P ECO5	•				
999	710794500	3 WAY VALVE CABLE ECO5	•				





WESTEN

BAXI S.p.A.
Via Trozzetti, 20
36061 BASSANO DEL GRAPPA (VI) ITALY
Tel. +390424517111 Telefax +390424517379
Web site: www.baxi.it e-mail: service@baxi.it