

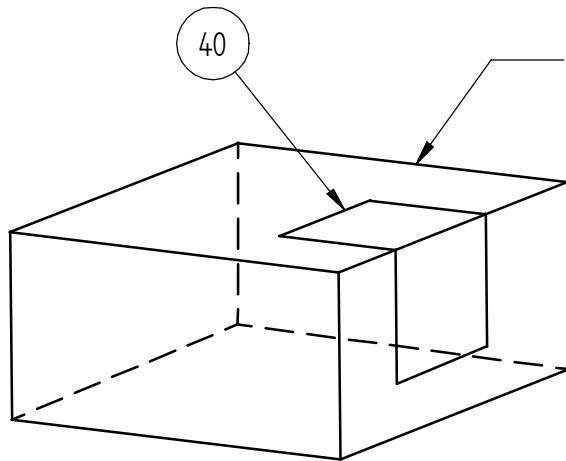
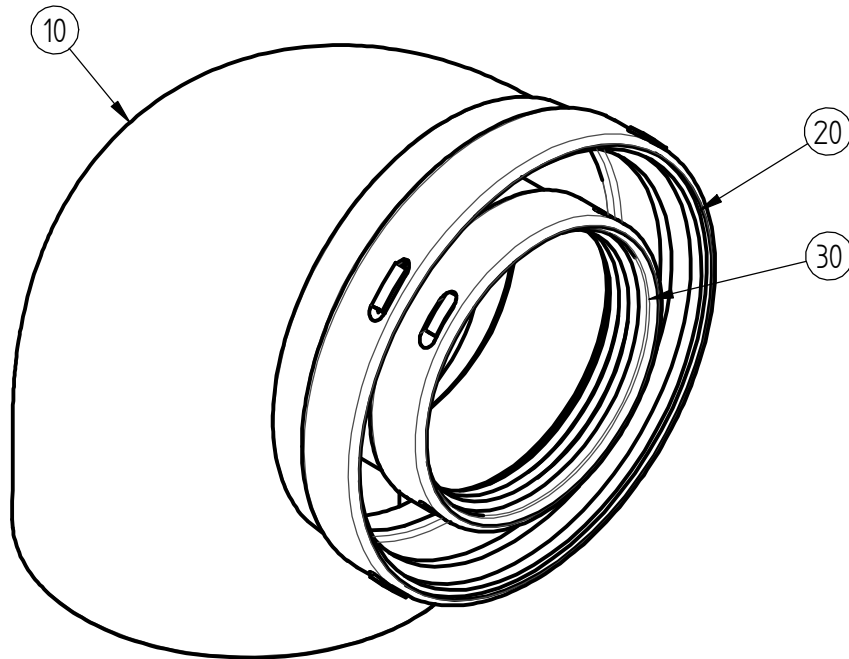
1

2

3

4

UNCONTROLLED WHEN PRINTED, CHECK REVISION AND STATUS BEFORE USE



SCATOLA CARTONE 230x230x150
CARTON BOX 230x230x150

NOTA:

IL PRODOTTO DEVE ESSERE FORNITO IN UNA SCATOLA DI CARTONE IN CUI DEVONO ESSERE PRESENTI LE ETICHETTE IMBALLO, COME MOSTRATO NELLA FIGURA.

NOTE:

THE ITEM MUST BE SUPPLIED IN THE CARTON BOX, IN WHICH MUST BE GLUED ON THE PACK. LABELS, AS SHOWN IN THE DRAWING.

| 40 | 7106389 | LABEL KIT KHG714140510 | 1 |
|---------|-------------|------------------------|-----|
| 30 | 7106354 | GASKET D80 ELBOW | 1 |
| 20 | 7106355 | GASKET D125 ELBOW | 1 |
| 10 | 7106356 | ELBOW 80/125 SE 90 | 1 |
| ITEM NO | PART NUMBER | DESCRIPTION | QTY |

| | | | |
|--|--|--|--|
| | | | |
| | | | |
| | | | |
| | | | |

| REVISION | MODIFICATION | ENGINEER | REFERS TO | DATE |
|----------|--------------|----------|-----------|------|
|----------|--------------|----------|-----------|------|

BAXI S.p.A.

A MEMBER OF BAXI GROUP

RELEASE STATUS.

Production

ENGINEER.

CHIURATO P.

ITEM NUMBER.

7106353,01

REVISION.

DATE.

01-Feb-11

SHEET No.

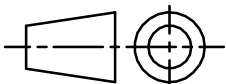
1 of 1

© 2009 TITLE: **KIT ELBOW 80/125 SE 90**

UNITS: SCALE. MATERIAL SPECIFICATION.

mm 1:2

FIRST ANGLE PROJECTION.



TOLERANCE TO EN 22768 - mK UNLESS OTHERWISE SPECIFIED

| | | | | | | |
|-----------------|---------|--------|--------|---------|---------|--------|
| CLASS m | 0.5-3 | 3-6 | 6-30 | 30-120 | 120-400 | 400-1m |
| LINEAR | ±0.1 | ±0.1 | ±0.2 | ±0.3 | ±0.5 | ±0.8 |
| RADI & CHAMFERS | ±0.4 | ±1 | ±2 | ±2 | ±2 | ±2 |
| CLASS m | upto 10 | 10-50 | 50-120 | 120-400 | 400+ | |
| ANGULAR | ±1° | ±0°30' | ±0°20' | ±0°10' | ±0°5' | |

QUALITY SIGNIFICANCE.

[C]=CRITICAL [I]=IMPORTANT

ITEM CATEGORY (1, 2 OR 3)

3

A4