

BAXI

Kit copertura DUO-TEC IN
Kit cover DUO-TEC IN

BAXI S.p.A. Made in Italy



765667901

CODICE A BARRE C39
765.....

CODICE A BARRE EAN 13
8022945309125

766012201

200

COD. 568367.


4

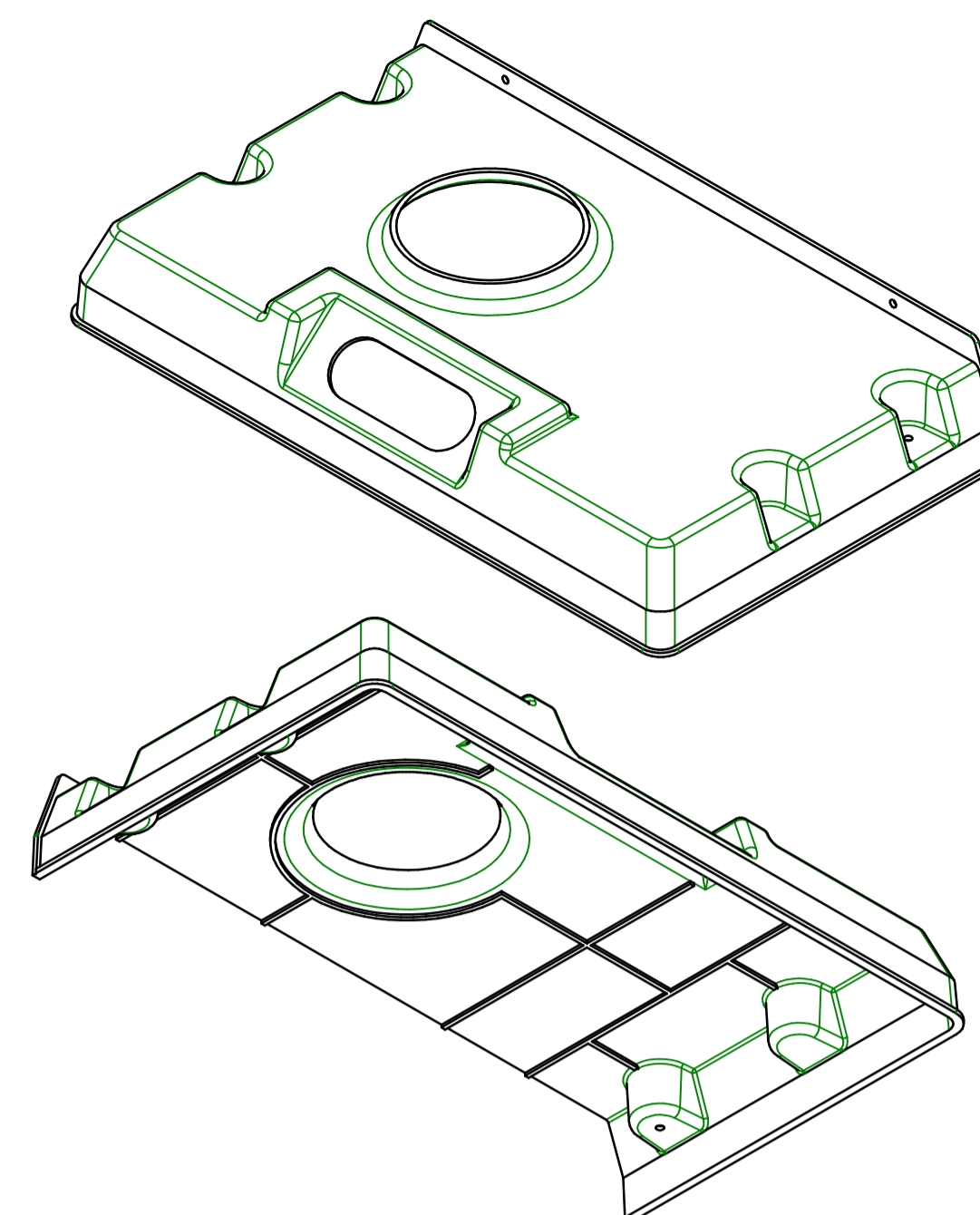
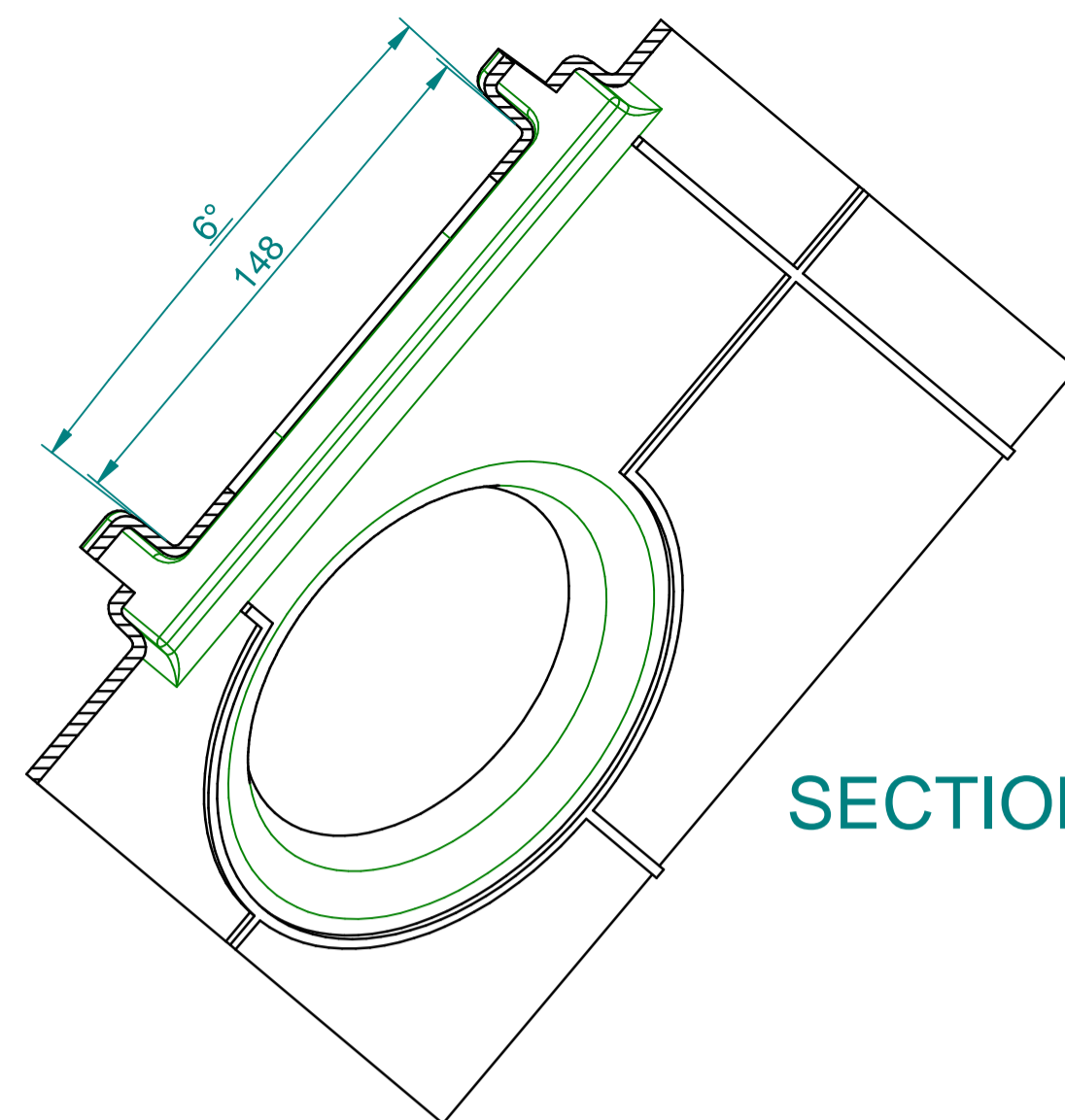
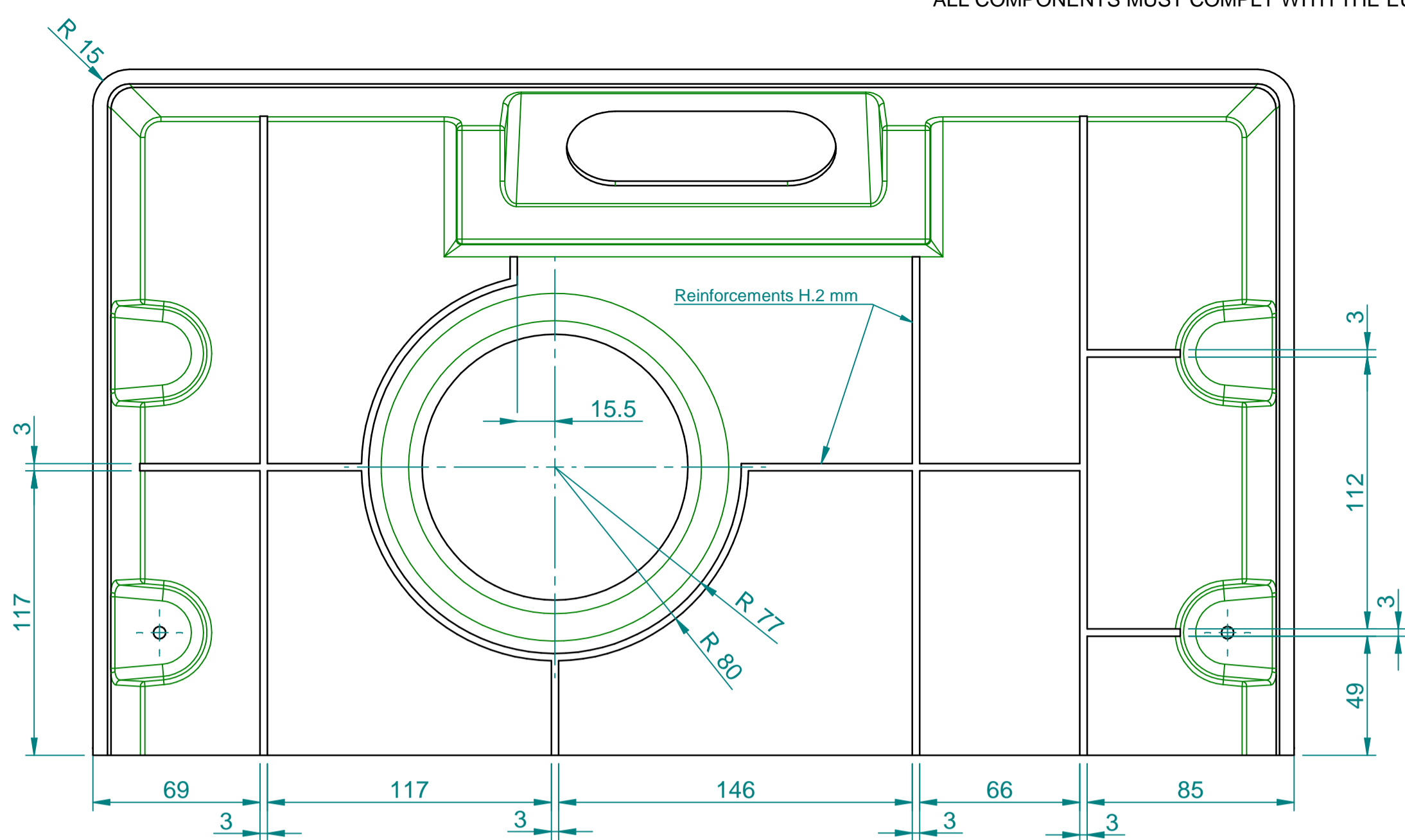
Etichetta imballo 100x200 - FASSON S451 -
Codice 919.087.

Contents of the bag (**)

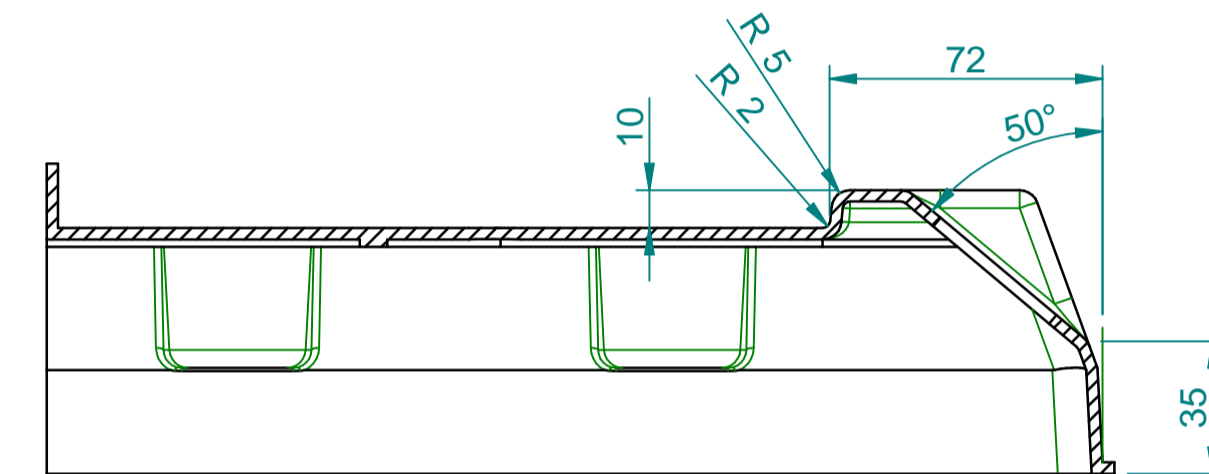
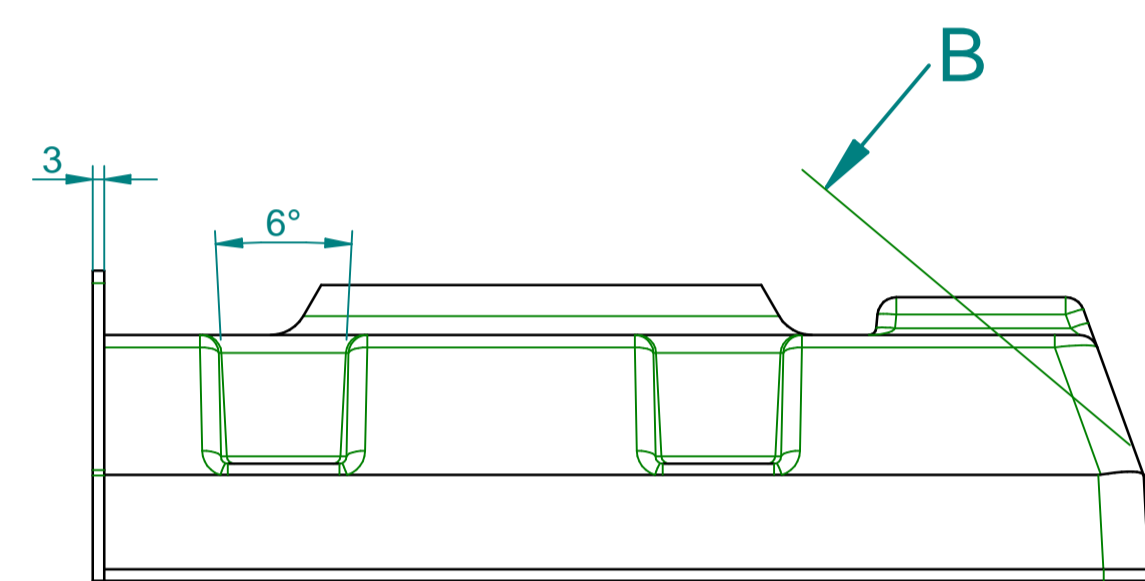
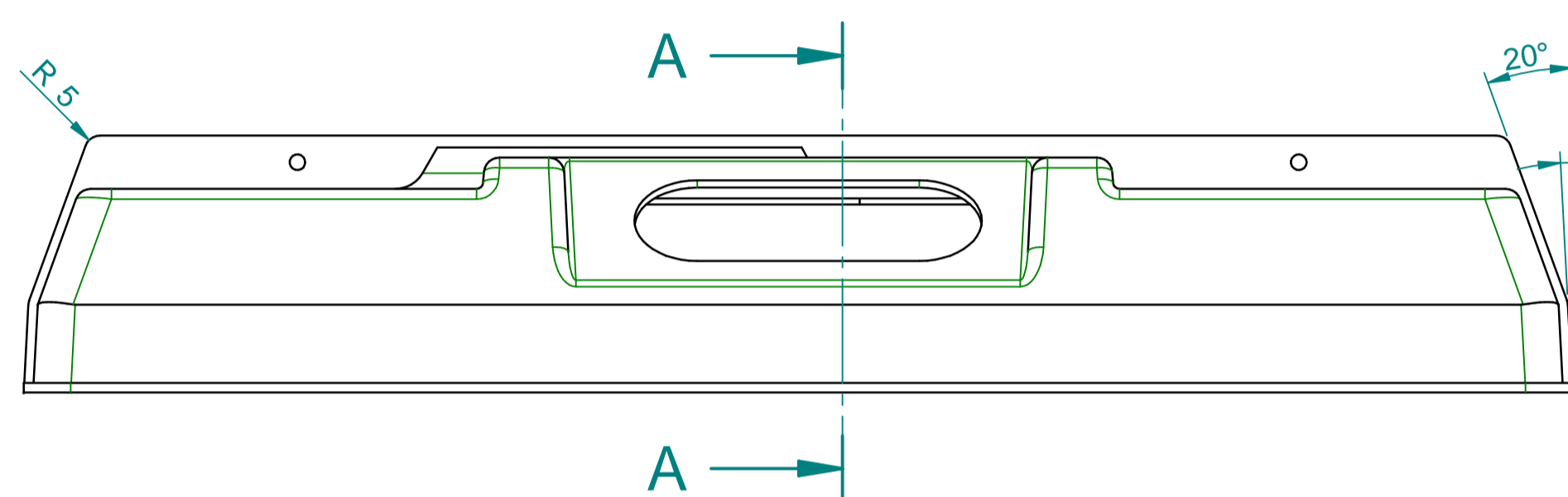
- n. 1 - Gasket front cover code 7654694
- n. 1 - Wall fixing kit code 7100981
- n. 4 - Washer Ø 5,3x10 R40 Zn 7III white code 8313414
- n. 2 - Screw CP 4,2X13TC-CR-AISI 305 code 8101253
- n. 1 - Plastic bag 150 X 200 code 7101132
- n. 3 - Staple code 7101134

POS.	DESCRIPTION	Q.TY	BAXI CODE
6	Packaging carton box 545 x 315 x 245 neutral	1	7111656
5	Air bag protection	96	7111658
4	Label packaging kit 7656679	2	7660122
3	Kit instruction 7656679	1	7660121
2	Assembly bag kit 7656679	1	7660470
1	Upper cover	1	7654544

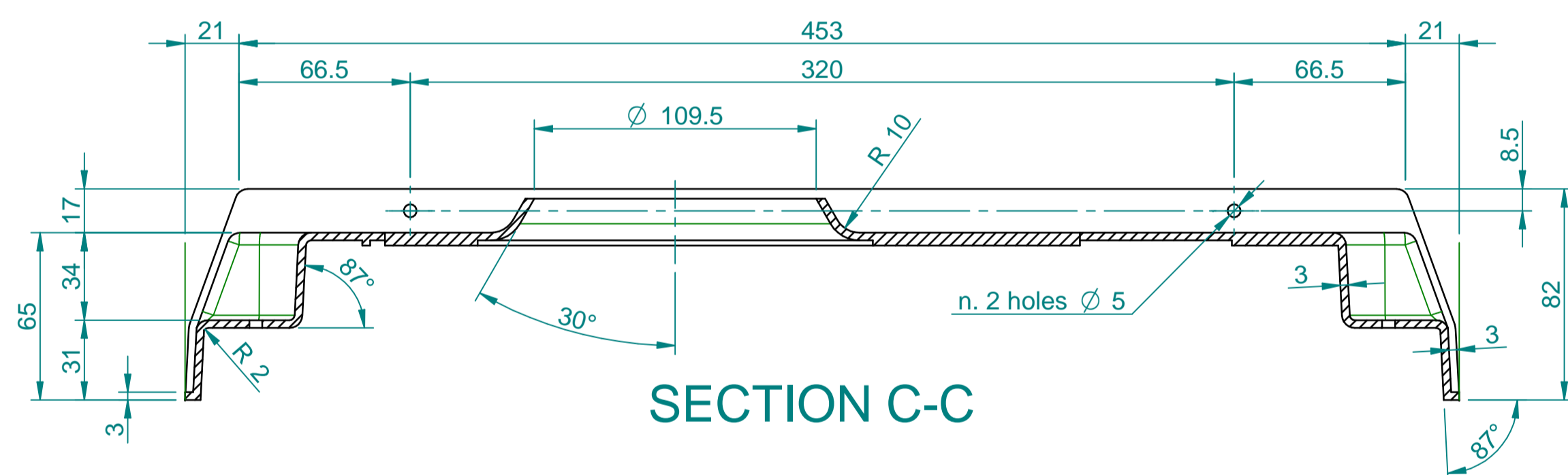
Change Description		Refers To	
DIMENSION TOLERANCE TO ISO 14405	QUALITY SIGNIFICANCE: [C] DENOTES A CRITICAL DIMENSION. DEVIATION FROM THE SPECIFICATION MAY COMPROMISE THE SAFETY AND/OR THE FUNCTIONALITY OF THE FINISHED PRODUCT.	Tolerance: ISO 2768 - vL	
A2	Sheet No.: 1 of 1	Material specification:	
Units: mm	Scale: 1:2	Creator: Campagnaro, Simone	Date of Issue: 10-May-2016
		Title: KIT COVER DUOTEC IN PLUS-SPACE	
		Release Status: Production	Work In Progress When Blank: 7656679 Item Number: 01 Revision:
<p style="font-size: small;">THE REPRODUCTION, DISTRIBUTION AND UTILIZATION OF THIS DOCUMENT AS WELL AS THE COMMUNICATION OF ITS CONTENTS TO OTHERS WITHOUT EXPRESS AUTHORIZATION IS PROHIBITED. OFFENDERS WILL BE HELD LIABLE FOR THE PAYMENT OF DAMAGE. ALL RIGHTS RESERVED IN THE EVENT OF THE GRANT OF A PATENT, UTILITY MODEL OR DESIGN.</p>			



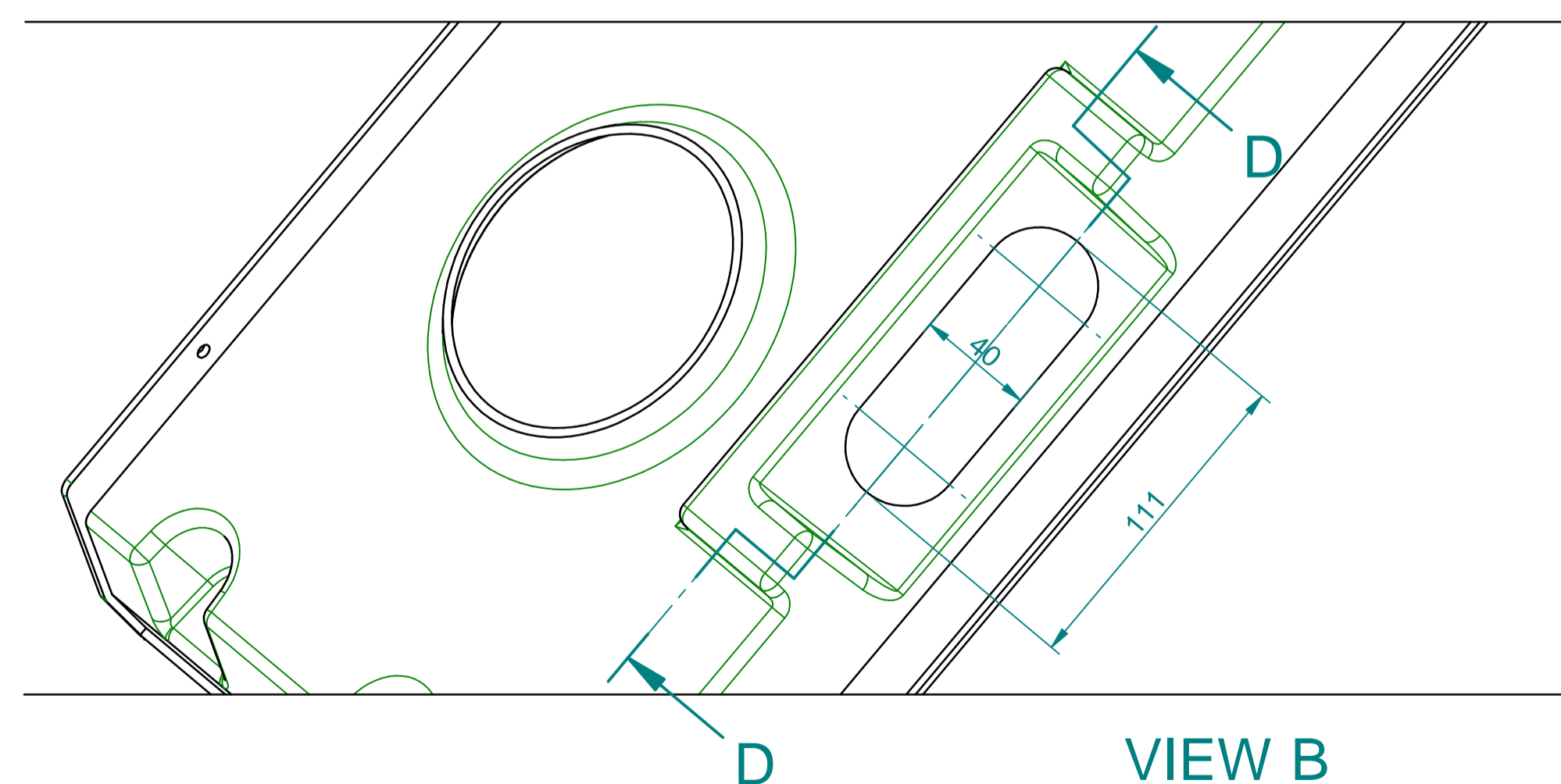
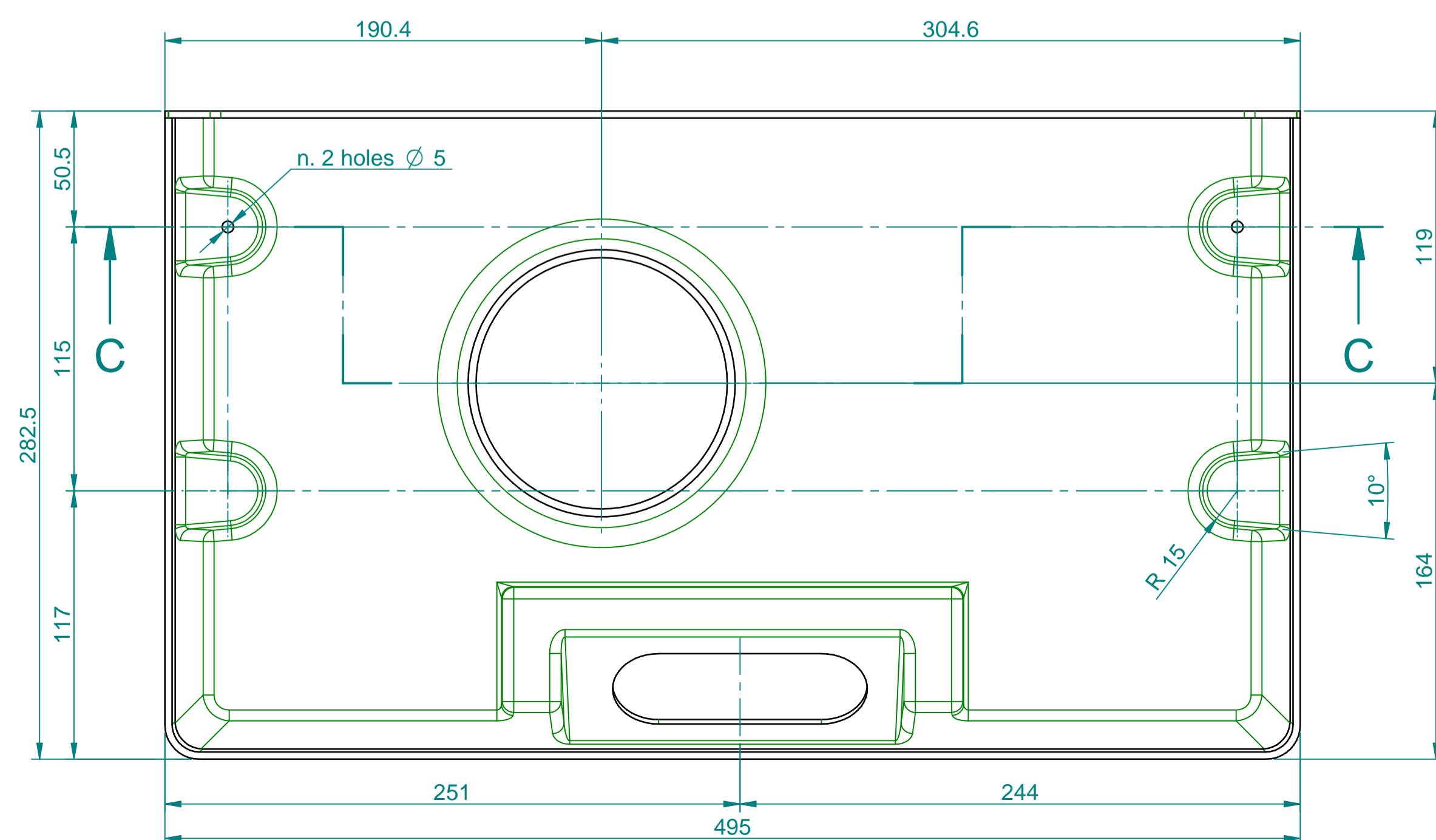
SECTION D-D



SECTION A-A



SECTION C-C



VIEW B

Material: ABS/PMMA - (ABS/Metalcristallo)
Color: Grey metalized 2029 (Impacryl)

Change Description		Refers To
DIMENSION TOLERANCE TO ISO 14405	QUALITY SIGNIFICANCE: [C] DENOTES A CRITICAL DIMENSION. DEVIATION FROM THE SPECIFICATION MAY COMPROMISE THE SAFETY AND/OR THE FUNCTIONALITY OF THE FINISHED PRODUCT.	Tolerance: ISO 2768 - cK
A1 Sheet No.: 1 of 1	First Angle Projection	Material specification:
Units: mm	Scale: 1:2	Creator: Ceccato, Sergio
		Date of Issue: 09-May-2016
		Title: UPPER COVER
		Release Status: Production
		Work In Progress: 7654544
		Item Number: 01
		Revision: 01

THE REPRODUCTION, DISTRIBUTION AND UTILIZATION OF THIS DOCUMENT AS WELL AS THE COMMUNICATION OF ITS CONTENTS TO OTHERS WITHOUT EXPRESS AUTHORIZATION IS PROHIBITED. OFFENDERS WILL BE HELD LIABLE FOR THE PAYMENT OF DAMAGE. ALL RIGHTS RESERVED IN THE EVENT OF THE GRANT OF A PATENT, UTILITY MODEL OR DESIGN.