

**BAXI**



## **DUOTEC COMPACT**

# **SPARE PARTS CATALOGUE**

**- June 2017 -**



## HOW TO READ THE SPARE PARTS CATALOGUE

In the spare part catalogue, after the exploded diagrams, there are the components lists of the boilers; this is the meaning of the different columns:

**Pos.** Identification number of the component in the exploded diagram of the boiler.

**Description** Short description of the component.

**Code** BAXI S.p.A. code of the component.

**Tab. XX** XX is the exploded diagram number of the boiler taken into

**From serial number** Date (year and week) identifying the beginning of production of a component (taken from the serial number of the boiler).

e.g. **1201: year 2012** (1 identifies the decade 2010-2019; 2 identifies the year) – **1th week**.

If the box is empty, the component is in use from the beginning of production of the boiler.

**To serial number** Date (year and week) identifying the end of production of a component (taken from the serial number of the boiler).

e.g. **1225: year 2012** (1 identifies the decade 2010-2019; 2 identifies the year) – **25<sup>th</sup> week**.

If the box is empty, the component is still in use.

**Interchangeable** It identifies the interchangeability between the new component and the old one.

YES: components are interchangeable.

NO: components are not interchangeable

## TABELLA COLLEGAMENTO CODICE CALDAIA - ESPLOSO TABLEAU CONNECTION CODEX CHAUDIERE - VUE ECLATEE BOILERS CONNECTION BOARD - EXPLODED VIEW

BOILER CODE	BOILER DESCRIPTION	EXPLODED REF.
CODICE CALDAIA	DESCRIZIONE CALDAIA	RIF. ESPLOSO
CODIGO CALDERA	DESCRIPCION CALDERA	REF. EXPLOSIONADO
CODE CHAUDIÈRE	DESCRIPTION CHAUDIÈRE	RÉF. EXPLOSÉE
722017404/5	DUO-TEC COMPACT+ 1.24 GA	Tab 657
722017403	DUO-TEC COMPACT+ 1.24 GA	Tab 632
722017504/5	DUO-TEC COMPACT+ 20 GA	Tab 658
722017503	DUO-TEC COMPACT+ 20 GA	Tab 631
722017605/6	DUO-TEC COMPACT+ 24 GA	Tab 664
722017604	DUO-TEC COMPACT+ 24 GA	Tab 658
722017603	DUO-TEC COMPACT+ 24 GA	Tab 631
722017704/5	DUO-TEC COMPACT+ 28 GA	Tab 658
722017703	DUO-TEC COMPACT+ 28 GA	Tab 631





# DUOTEC COMPACT

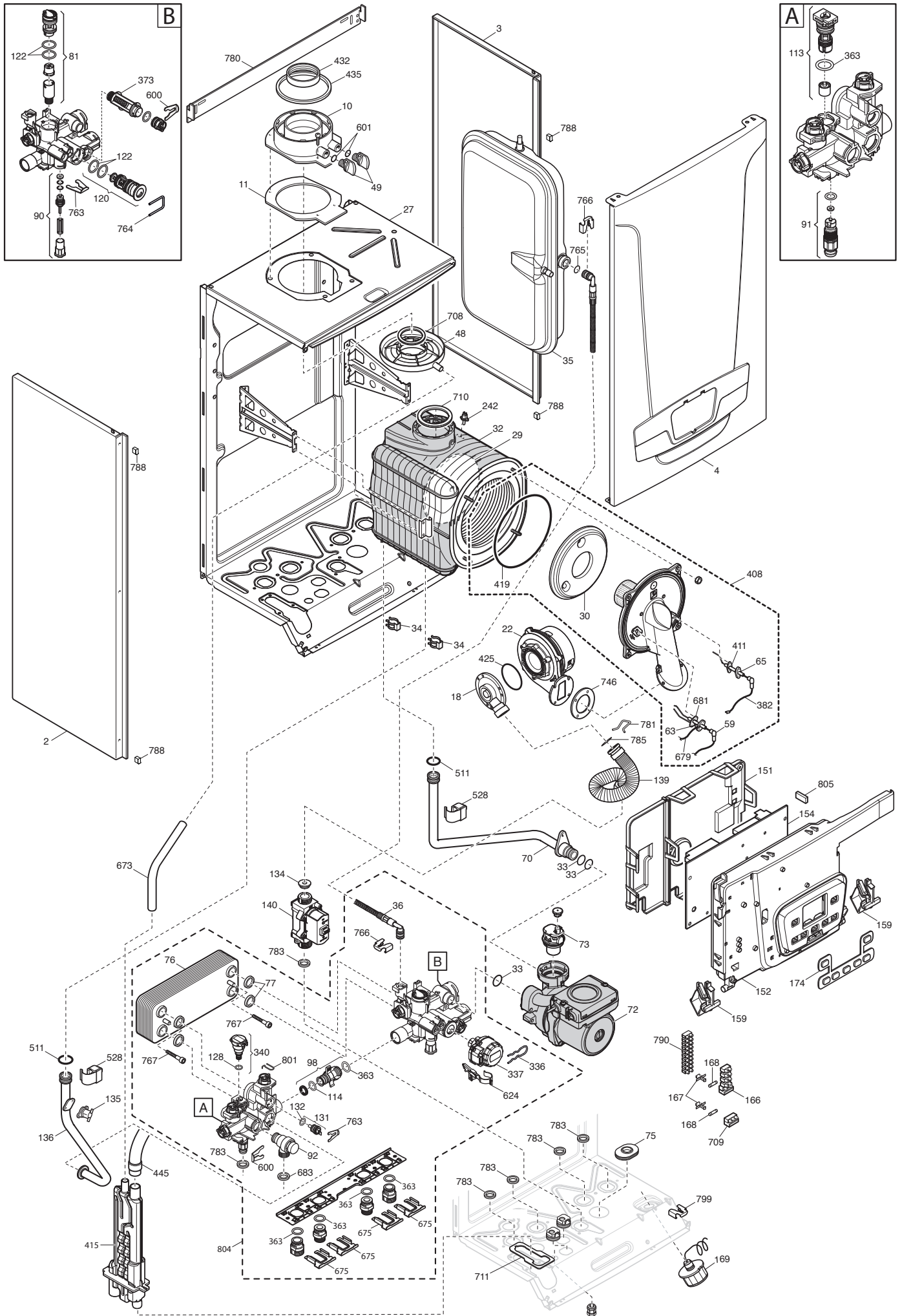
20/06/2017

Pos	Code	Description code									To serial number	From serial number	Interchan geable:
			722017403 1,24	722017404/5 1,24	722017503 20	722017504/5 20	722017603 24	722017604 24	722017605/6 24	722017703 28			
174	710126300	7 PUSH BUTTON PANEL B&P	•	•	•	•	•	•	•	•			
191	5408970	WASHER - SEALING G1/2	•	•									
192	5404650	SEALING WASHER G 3/4	•	•									
242	8435270	NTC SENSOR	•	•	•	•	•	•	•	•			
336	8380680	CLIP-RETAINING	•	•									
336	710047400	CLIP - 3WV MOTOR HEAD			•	•	•	•	•	•			
337	5694580	3 WAY VALVE MOTOR	•	•									
337	710047300	3WV MOTOR HEAD			•	•	•	•	•	•			
340	9951690	PRESSURE SWITCH	•	•									
340	721384000	ON/OFF CH PRESSURE SWITCH			•	•	•	•	•	•			
363	710045300	O-RING d.17,96X2,62			•	•	•	•	•	•			
373	710047100	CH FILTER			•	•	•	•	•	•			
382	710127500	CABLE DETECTION ELECTRODE	•	•	•	•	•	•	•	•			
408	766207800	COMPLETE COMB.CHAMB. UPPER COV.	•	•	•	•	•	•	•	•			
408	768491500	COMPLETE COMB.CHAMB. UPPER COV.						•					
411	710185200	FLAME SENSING ELEC.GASKET	•	•	•	•	•	•	•	•			
415	765806200	SIPHON BODY H170	•		•		•		•				
415	765806500	SIPHON BODY H170 AL		•		•		•		•			
419	5411000	BURNER/FLANGE GASKET	•	•	•	•	•	•	•	•			
421	5408270	O-RING 11,91 X 2,62 NBR	•	•									
425	710042400	VENTURI GASKET	•	•	•	•	•	•	•	•			
432	5410420	WASHER DIA 60 OUTLET BEND	•	•	•	•	•	•	•	•			
435	5407550	WASHER DIA100 OUTER ADAPT SEAL	•	•	•	•	•	•	•	•			
445	721693700	PIPE EXCH/SYPHON	•	•	•	•	•	•	•	•			
510	600760	DHW PADDLE ASSEMBLY	•	•									
511	5404600	O.R. 17,86x2,62	•	•	•	•	•	•	•	•			
528	710439300	SENSOR TODS	•	•	•	•	•	•	•	•			
600	710045400	CLIP FLAT d.18			•	•	•	•	•	•			
601	5408560	O-RING 8,73x1,78	•	•	•	•	•	•	•	•			
624	710976600	HALL SENSOR ASSY			•	•	•	•	•	•			
673	721693800	CONDENSY PIPE/SIPHON	•		•		•		•				
675	710046100	CLIP BRASS ADAPTOR			•	•	•	•	•	•			
679	710127100	CABLE GROUND FOR ELECTRODE	•	•	•	•	•	•	•	•			
681	710185300	IGNITION ELECTRODE GASKET	•	•	•	•	•	•	•	•			
683	5408810	GASKET GAS RAMP			•	•	•	•	•	•			
686	5663020	BY-PASS PLUG ASSEMBLY	•	•									
708	5410970	GASKET WITH DOUBLE LIP	•	•	•	•	•	•	•	•			
709	8423160	TERMINAL BLOCK	•	•	•	•	•	•	•	•			
710	5411030	GASKET	•	•	•	•	•	•	•	•			
711	722247000	SIPHON GASKET COMPACT	•	•	•	•	•	•	•	•			
732	620210	SPRING ASS.	•	•									
746	767362900	FUN GASKET	•	•	•	•	•	•	•	•			
763	710046700	CLIP FLAT d.12			•	•	•	•	•	•			
764	710047500	CLIP U d.3			•	•	•	•	•	•			

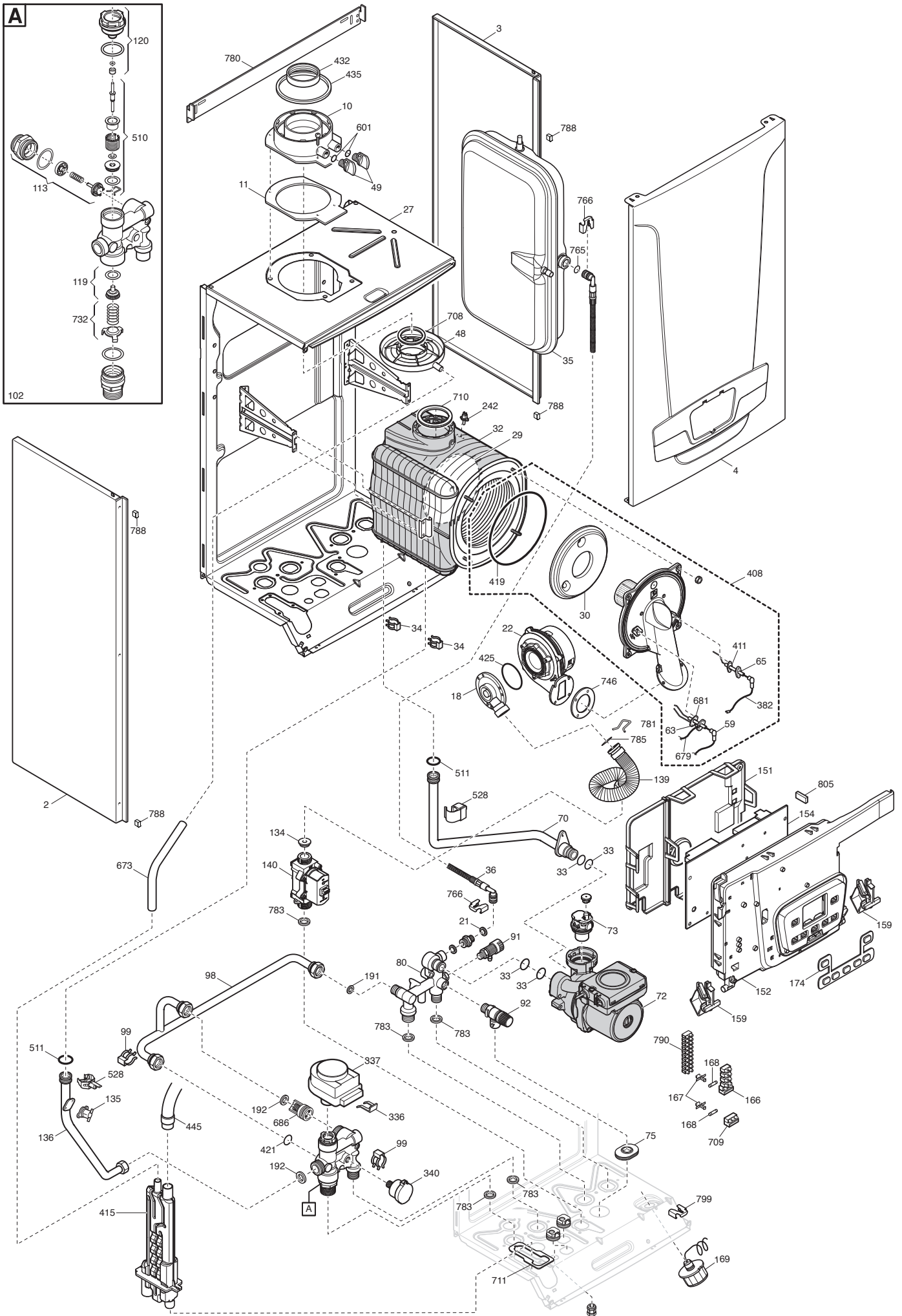
# DUOTEC COMPACT

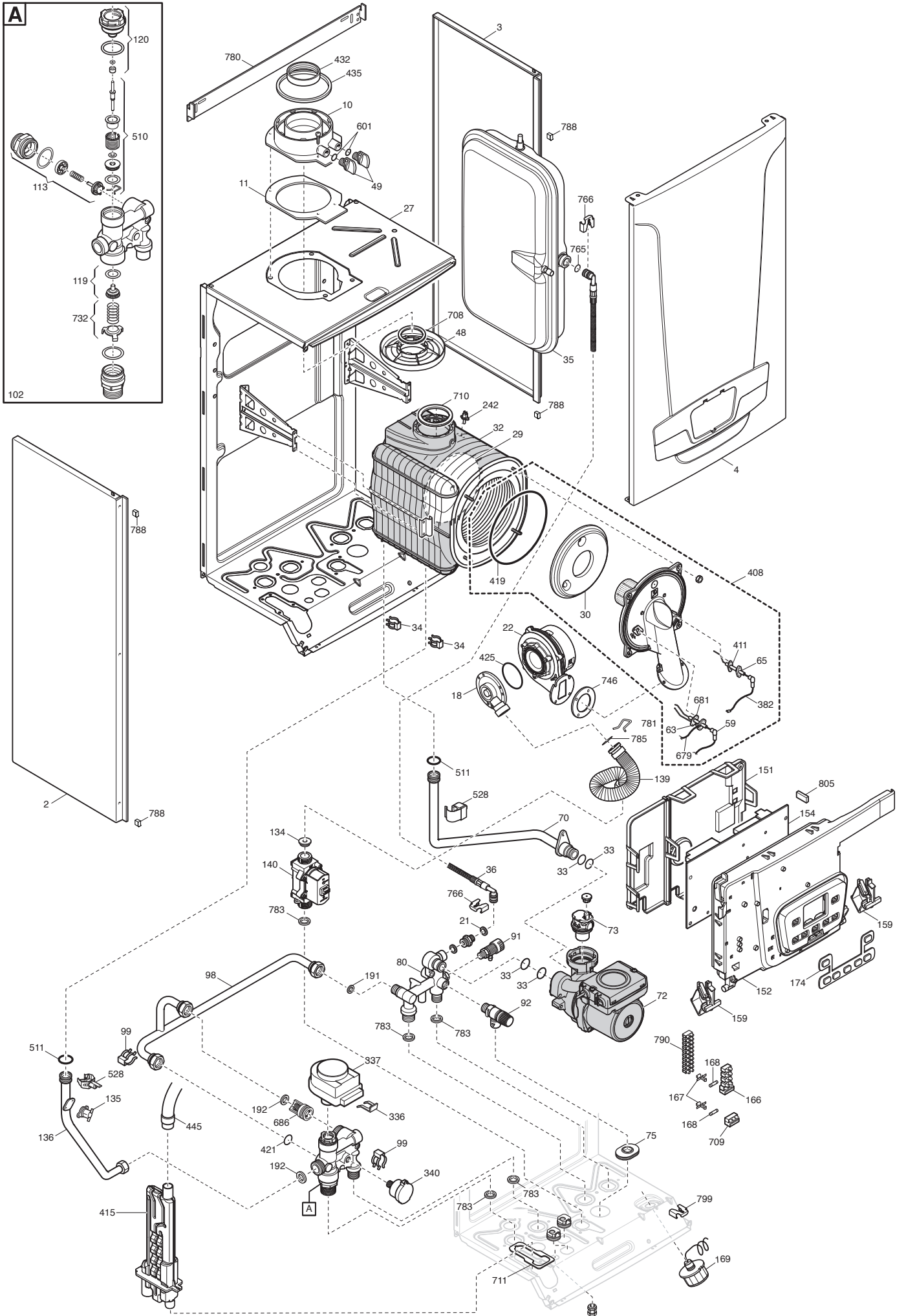
20/06/2017

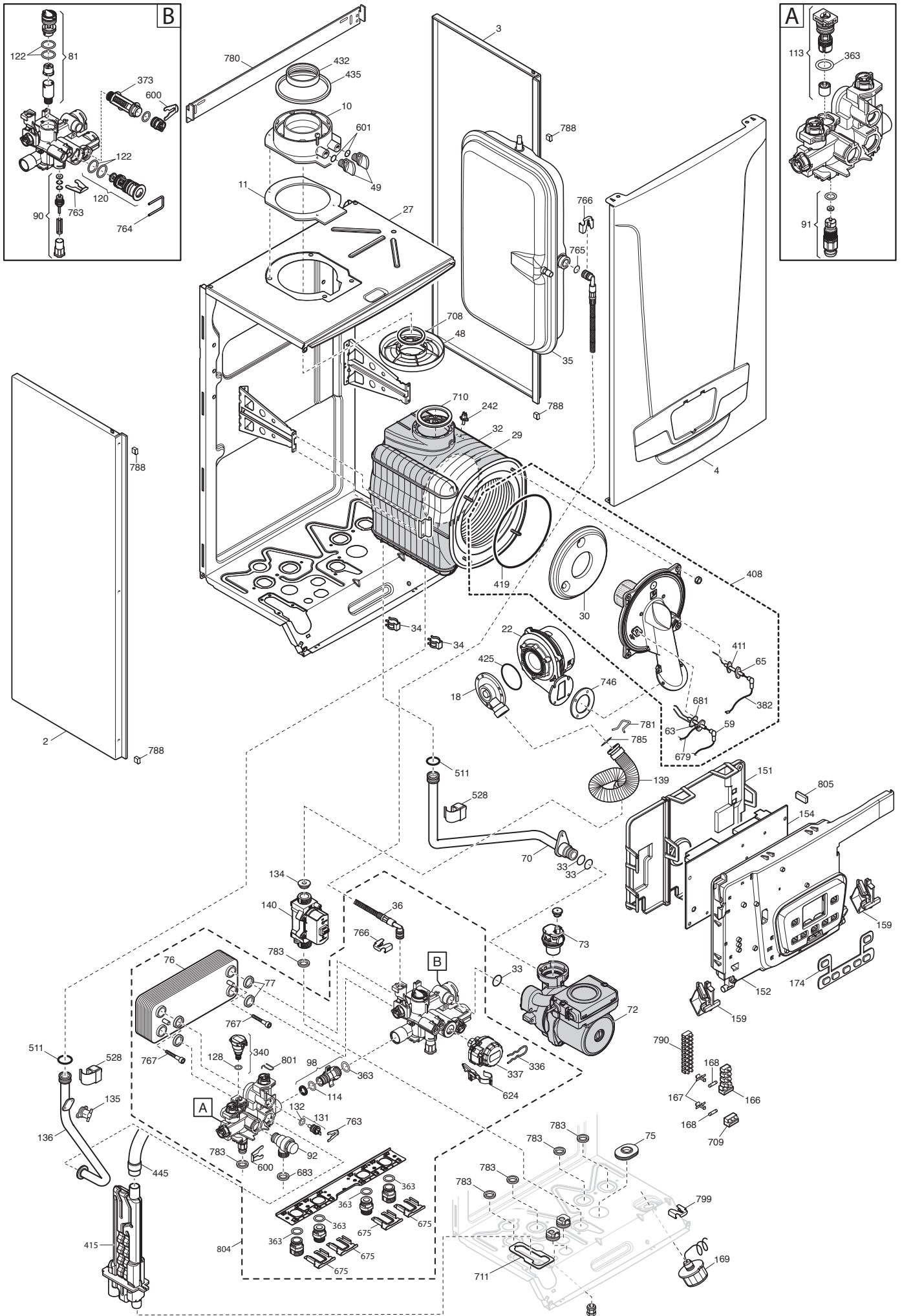
Pos	Code	Description code	722017403	722017404/5	722017503	722017504/5	722017603	722017604	722017605/6	722017703	722017704/5	To serial number	From serial number	Interchan geable:
			1,24	1,24	20	20	24	24	28	28				
765	710045700	O-RING d.9,19 X 2,62	•	•	•	•	•	•	•	•	•			
766	710106700	FLAT SPRING diameter 10	•	•	•	•	•	•	•	•	•			
767	710046900	PTP EXCH FIXING SCREW			•	•	•	•	•	•	•			
780	710633100	UPPER SUPPORT	•	•	•	•	•	•	•	•	•			
781	710011400	CLIP FIX GAS PIPE	•	•	•	•	•	•	•	•	•			
783	710039500	HYDRAULIC GROUP GASKET	•	•	•	•	•	•	•	•	•			
785	710061400	O RING GAS PIPE 18 X 3 NBR	•	•	•	•	•	•	•	•	•			
788	710176000	COMBUSTION CHAMBER GASKET C	•	•	•	•	•	•	•	•	•			
790	710117900	TERMINAL BLOCK 10 PIN PA35	•	•	•	•	•	•	•	•	•			
799	710654100	SPRING FIXING D.9	•	•	•	•	•	•	•	•	•			
801	710048700	CLIP CH PRESSURE SWITCH			•	•	•	•	•	•	•			
804	722033400	HYDRAULIC GROUP COMBI 28Kw								•	•			
804	768335900	HYDRAULIC GROUP 24KW BITRON 8L			•	•	•	•						
804	768490900	HYDRAULIC GROUP 24KW BITRON 8L							•					
805	710731500	CONFIGURATION KEY DUOTEC	•	•	•	•	•	•	•	•	•			
999	8414540	CABLE ROOM TH	•	•	•	•	•	•	•	•	•			
999	8414620	POWER CABLE	•	•	•	•	•	•	•	•	•			
999	710071700	CABLE NTC FLUE	•	•	•	•	•	•	•	•	•			
999	710126800	CABLE SAFETY THERMOSTAT	•	•	•	•	•	•	•	•	•			
999	710285900	CABLE NTC TANK/EXTERNAL SENSOR	•	•										
999	710512100	WIRING HARNESS GAS VALVE B&P	•	•	•	•	•	•	•	•	•			
999	710651100	CABLE REMOTE CONTROL	•	•	•	•	•	•	•	•	•			
999	710651300	PCB POWER CABLE	•	•	•	•	•	•	•	•	•			
999	710651400	CABLE EXTERNAL SENSOR/BOILER SEN			•	•	•	•	•	•	•			
999	710651500	WIRING PCB INPUT	•	•	•	•	•	•	•	•	•			
999	721313400	3 WAY VALVE WIRING	•	•										
999	721835500	PWM FAN/PUMP WIRING	•	•	•	•	•	•	•	•	•			
999	721885100	3 WAY VALVE WIRING			•	•	•	•	•	•	•			
999	722024200	LOW VOLTAGE WIRING ONLY HEAT.	•	•										
999	722024300	LOW VOLTAGE WIRING COMBI			•	•	•	•	•	•	•			
999	766211100	FAN/PUMP WIRING WI.	•	•										
999	766211300	FAN/PUMP WIRING GR.	•	•										
999	766306100	FAN/PUMP WIRING WI.			•	•	•	•	•	•	•			
999	766306200	FAN/PUMP WIRING GR.			•	•	•	•	•	•	•			

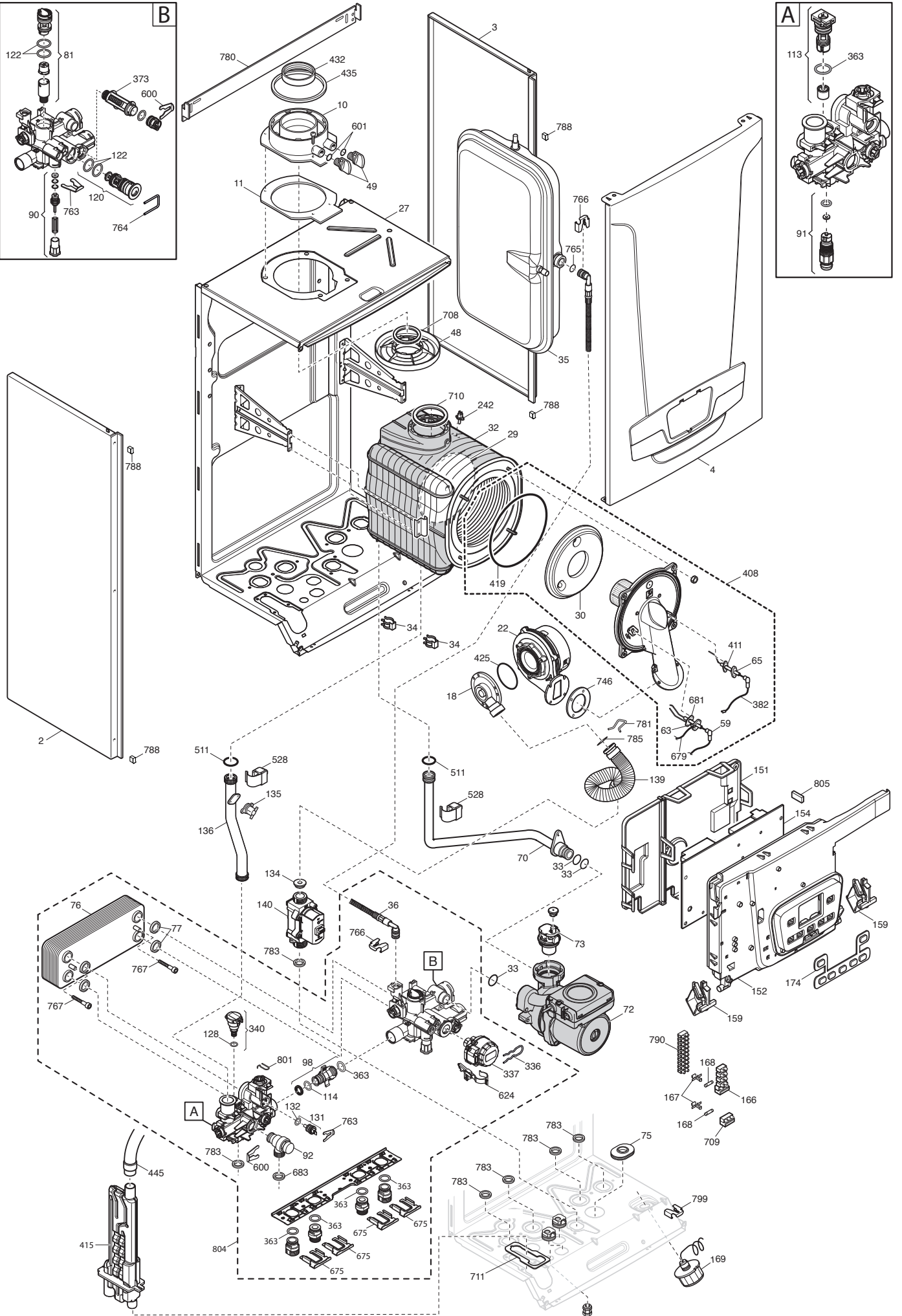
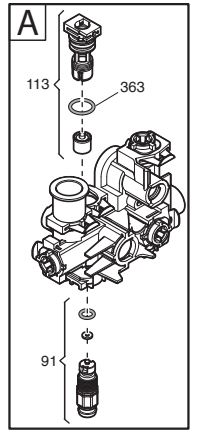
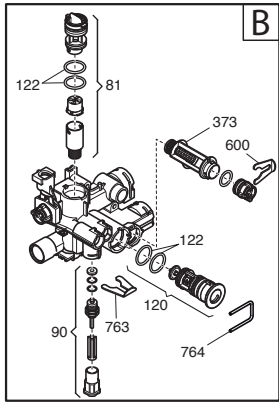












**BAXI**

**BAXI S.p.A.**  
**Via Trozzetti, 20**  
**36061 BASSANO DEL GRAPPA (VI)**  
**ITALY**  
**Tel. +390424517111**  
**Telefax +390424517379**  
**E-mail. [service@baxi.it](mailto:service@baxi.it)**