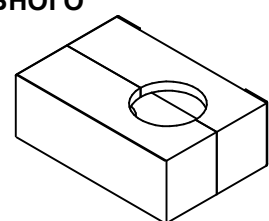


**721936801**

■ KIT COIBENTAZIONE SCARICHI SEPARATI

■ INSULATION KIT EXHAUST SEPARATE

■ ТЕРМОИЗОЛЯЦИЯ ДЛЯ КОМПЛЕКТА РАЗДЕЛЬНОГО ДЫМОУДАЛЕНИЯ И ЗАБОРА ВОЗДУХА



Label size defined by supplier  
Characters and graphics shown are indicative  
Thermic transfer print  
Print with black colour.

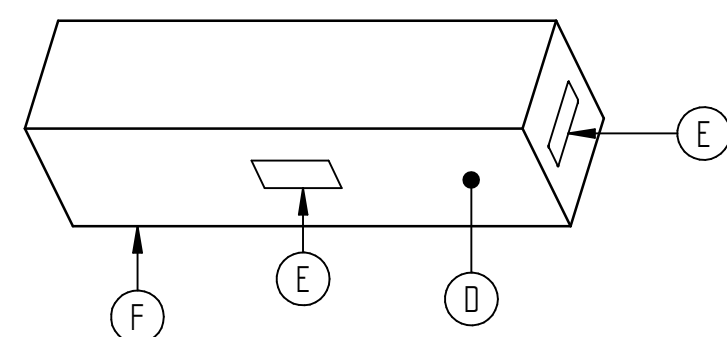
codice a barre tipo C128  
vedi 7221055...

codice a barre tipo EAN3  
8022945308586

\*721936801\*

8022945308586

NOTE: THE DRAWING OF THE BOX IS ONLY INDICATIVE



POS.	Q.TY	CODE BAXI	DWS CODE SUPPLY	DESCRIPTION	MATERIAL
F	1		SCA05003	SCATOLA DIM. INT. UTILI 290x220x215h	CARTONE KM7IA 242 (Avana)
E	2			ETICHETTA IDENTIFICAZIONE	/
D	1	7222891		SHEET INSTRUCTIONS KIT 7219368	/
C	1		SCA07089	SEMIGUSCIO ISOLANTE SX	POLISTIRENE EPS GRANTATO: NEOPOR A40 - DENNIT 25 kg/m³
B	1		SCA07090	SEMIGUSCIO ISOLANTE DX	POLISTIRENE EPS GRANTATO: NEOPOR A40 - DENNIT 25 kg/m³
A	1		L3962000V03	ELEMENTO BLOCCAGGIO SEMIGUSCIO	Fe P04 - VERNICIATO BIANCO (RAL 9003)

DIMENSION TOLERANCE TO ISO 14405		QUALITY SIGNIFICANCE (C) DENOTES A CRITICAL DIMENSION. DEVIATION FROM THE SPECIFICATION MAY COMPROMISE THE SAFETY AND/OR THE FUNCTIONALITY OF THE FINISHED PRODUCT.		Tolerance: ISO 2768 mK	
A1	Sheet No.: 1 of 1	First Angle Projection	Material Specification:	Creator: Pedron, Aurelio	Date of Issue: 17/04/2015
Units: mm	Scale: 1:2			File: KIT COIBENTAZ. SCARICHI SEP.TI	Item Number: 7219368
BDR THERMEA		Production		Work In Progress	Revision: 01

THE REPRODUCTION, DISTRIBUTION AND UTILIZATION OF THIS DOCUMENT AS WELL AS THE COMMUNICATION OF ITS CONTENTS TO OTHERS WITHOUT EXPRESS AUTHORIZATION IS PROHIBITED. OFFENDERS WILL BE HELD LIABLE FOR THE PAYMENT OF DAMAGE. ALL RIGHTS RESERVED IN THE EVENT OF THE GRANT OF A PATENT, UTILITY MODEL OR DESIGN.