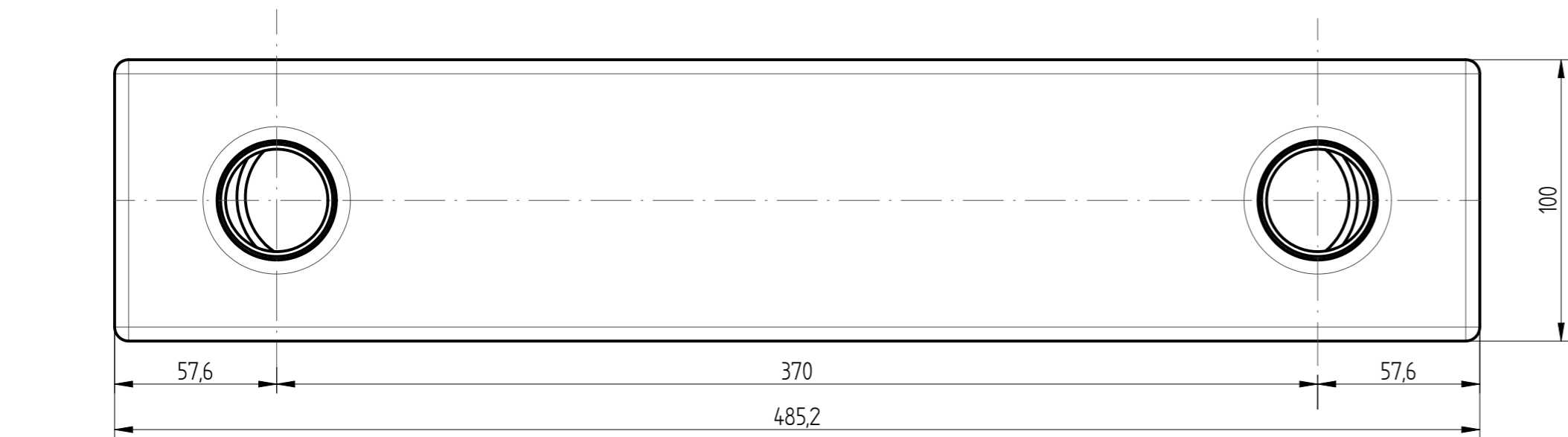
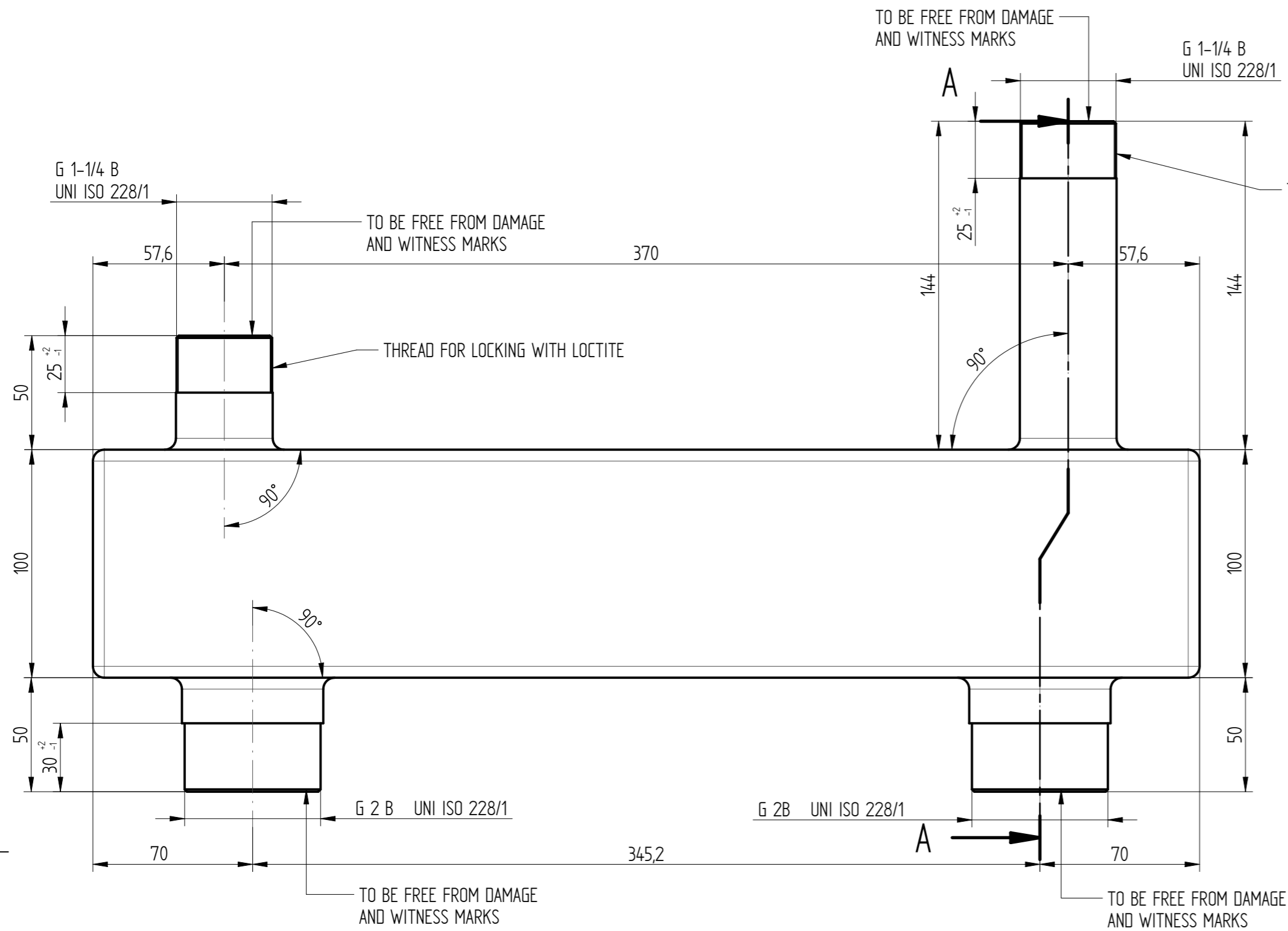
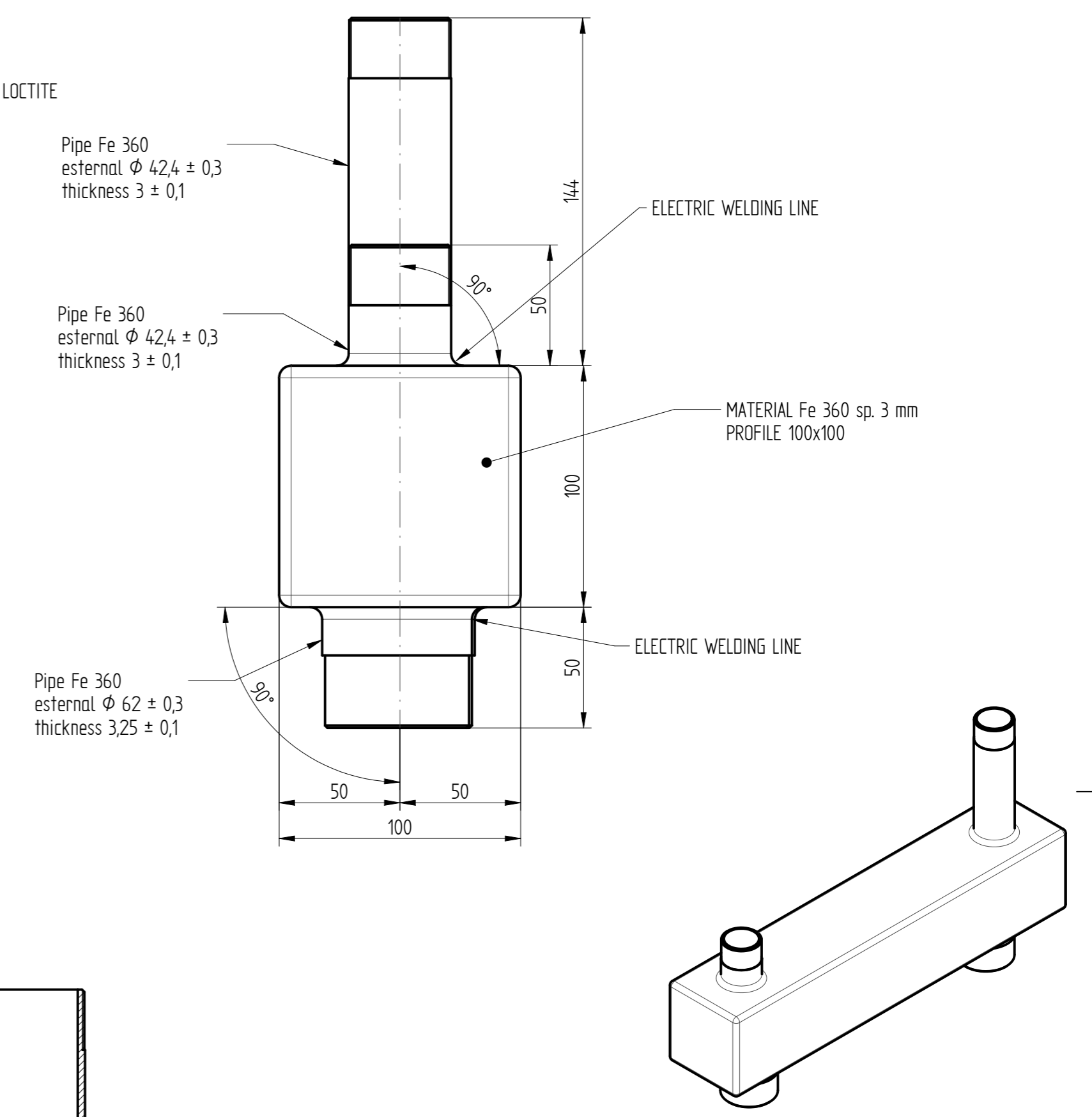
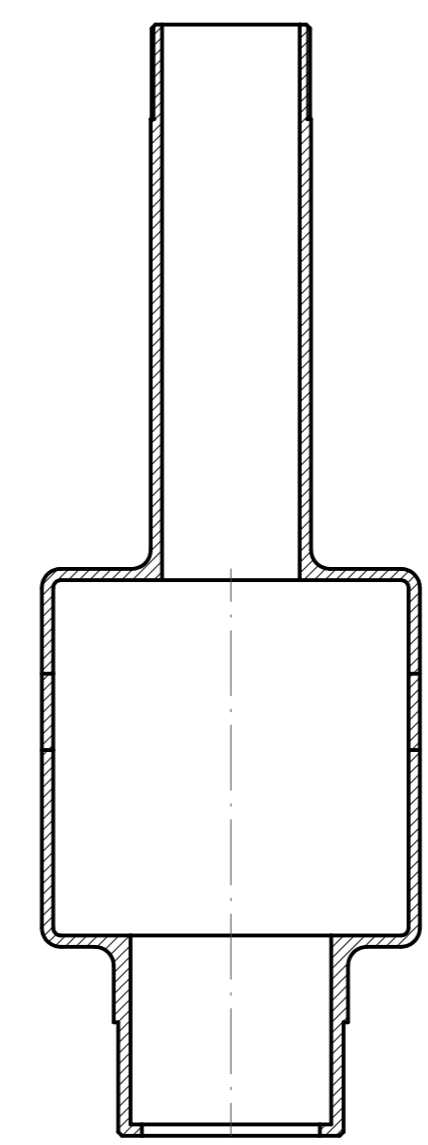


ALL COMPONENTS MUST COMPLY WITH THE EUROPEAN DIRECTIVE ON THE RESTRICTION OF THE USE OF THE CERTAIN HAZARDOUS SUBSTANCES (RoHS)
CHECK REVISION AND STATUS BEFORE USE



SECTION A-A



NOTE

- THE INTERNALS OF THE TUBES AND THE MANIFOLD MUST BE FREE FROM DIRT, SWARF, ETC.
- THE COMPONENT MUST BE FREE FROM BURES AND CRAKS.
- TEST PRESSURE: 4,5 bar
- FINISH, ZINC PLATED.

Change Description		Refers To	
DIMENSION TOLERANCE TO ISO 14405 © All Dimensions Must Meet Envelope Requirements.		Tolerance: ISO 2768 mK	
A2	Sheet No.: 1 of 1	First Angle Projection	Material Specification:
Units: mm	Scale: 1:1	Creator: Pedron, Aurelio	Date Of Issue: 19-Sep-12
BAXI S.p.A Part of BDR Thermea		Title: HORIZONTAL HYDR. SEPARATOR	
Release Status: Production		Work In Progress When Blank	Item Number: 7111647
THE REPRODUCTION, DISTRIBUTION AND UTILIZATION OF THIS DOCUMENT AS WELL AS THE COMMUNICATION OF ITS CONTENTS TO OTHERS WITHOUT EXPRESS AUTHORIZATION IS PROHIBITED. OFFENDERS WILL BE HELD LIABLE FOR THE PAYMENT OF DAMAGE. ALL RIGHTS RESERVED IN THE EVENT OF THE GRANT OF A PATENT, UTILITY MODEL OR DESIGN.		Revision: 01	