

**BAXI**



# Luna Platinum HT

## SPARE PARTS CATALOGUE

- July 2015 -



## HOW TO READ THE SPARE PARTS CATALOGUE

In the spare part catalogue, after the exploded diagrams, there are the components lists of the boilers; this is the meaning of the different columns:

**Pos.** Identification number of the component in the exploded diagram of the boiler.

**Description** Short description of the component.

**Code** BAXI S.p.A. code of the component.

**Tab. XX** XX is the exploded diagram number of the boiler taken into

**From serial number** Date (year and week) identifying the beginning of production of a component (taken from the serial number of the boiler).

e.g. **1201: year 2012** (1 identifies the decade 2010-2019; 2 identifies the year) – **1th week**.

If the box is empty, the component is in use from the beginning of production of the boiler.

**To serial number** Date (year and week) identifying the end of production of a component (taken from the serial number of the boiler).

e.g. **1225: year 2012** (1 identifies the decade 2010-2019; 2 identifies the year) – **25<sup>th</sup> week**.

If the box is empty, the component is still in use.

**Interchangeable** It identifies the interchangeability between the new component and the old one.

YES: components are interchangeable.

NO: components are not interchangeable

## TABELLA COLLEGAMENTO CODICE CALDAIA - ESPLOSO TABLEAU CONNECTION CODEX CHAUDIERE - VUE ECLATEE BOILERS CONNECTION BOARD - EXPLODED VIEW

| BOILER CODE    | BOILER DESCRIPTION    | EXPLODED REF.     |
|----------------|-----------------------|-------------------|
| CODICE CALDAIA | DESCRIZIONE CALDAIA   | RIF. ESPLOSO      |
| CODIGO CALDERA | DESCRIPCION CALDERA   | REF. EXPLOSIONADO |
| CODE CHAUDIÈRE | DESCRIPTION CHAUDIÈRE | RÉF. EXPLOSÉE     |
| 710266503/4    | LUNA PLATINUM 1.12 GA | Tab 467           |
| 710843502/3    | LUNA PLATINUM 1.18 GA | Tab 467           |
| 710658303/4    | LUNA PLATINUM 1.24 GA | Tab 467           |
| 711028801/2    | LUNA PLATINUM 1.32 GA | Tab 467           |
| 710269505      | LUNA PLATINUM 24 GA   | Tab 468           |
| 710269503/4    | LUNA PLATINUM 24 GA   | Tab 468           |
| 711028903      | LUNA PLATINUM 33 GA   | Tab 468           |
| 711028901/2    | LUNA PLATINUM 33 GA   | Tab 468           |

| Pos | Code      | Description code               |                    |                      |                    |                      |                      |                        |                        |                        |                        |   | To serial number | From serial number | Interchangeable: |  |     |
|-----|-----------|--------------------------------|--------------------|----------------------|--------------------|----------------------|----------------------|------------------------|------------------------|------------------------|------------------------|---|------------------|--------------------|------------------|--|-----|
|     |           |                                | 711028903<br>33 GA | 711028901/2<br>33 GA | 710269505<br>24 GA | 710269503/4<br>24 GA | 711028801/2<br>24 GA | 710658303/4<br>1.32 GA | 710658303/4<br>1.24 GA | 710843502/3<br>1.18 GA | 710266503/4<br>1.12 GA |   |                  |                    |                  |  |     |
| 2   | 710066300 | LEFT PANEL ASSEMBLY            | •                  | •                    | •                  | •                    | •                    | •                      | •                      | •                      | •                      | • |                  |                    |                  |  |     |
| 3   | 710066200 | RIGHT PANEL ASSEMBLY           | •                  | •                    | •                  | •                    | •                    | •                      | •                      | •                      | •                      | • |                  |                    |                  |  |     |
| 4   | 710031300 | FRONTAL PANEL ASSEMBLY         | •                  | •                    | •                  | •                    | •                    | •                      | •                      | •                      | •                      | • |                  |                    |                  |  |     |
| 10  | 5409020   | FLUE ADAPTOR HE                | •                  | •                    | •                  | •                    | •                    | •                      | •                      | •                      | •                      | • |                  |                    |                  |  |     |
| 11  | 5409010   | GASKET ADAPTOR                 | •                  | •                    | •                  | •                    | •                    | •                      | •                      | •                      | •                      | • |                  |                    |                  |  |     |
| 12  | 5108690   | PLATE BLANKING                 | •                  | •                    | •                  | •                    | •                    | •                      | •                      | •                      | •                      | • |                  |                    |                  |  |     |
| 13  | 5407400   | SUCTION CAP GASKET             | •                  | •                    | •                  | •                    | •                    | •                      | •                      | •                      | •                      | • |                  |                    |                  |  |     |
| 18  | 710039100 | MIXER PL23 AGU3.723A009        |                    |                      |                    |                      | •                    |                        |                        |                        |                        | • | •                |                    |                  |  |     |
| 18  | 710059700 | MIXER PL18 AGU 3.718           |                    |                      |                    | •                    |                      |                        | •                      | •                      |                        |   |                  |                    |                  |  |     |
| 18  | 710068100 | MIXER PL15 AGU 3715            | •                  | •                    |                    |                      |                      |                        |                        |                        |                        |   |                  |                    |                  |  |     |
| 21  | 5402050   | WASHER-SEALING                 | •                  | •                    | •                  | •                    | •                    | •                      | •                      | •                      | •                      | • |                  |                    |                  |  |     |
| 22  | 710692300 | FAN NRG118                     | •                  | •                    | •                  | •                    | •                    | •                      | •                      | •                      | •                      | • |                  |                    |                  |  |     |
| 27  | 710465700 | STANDARD COMBUST.CHAMBER FUGAS |                    |                      |                    |                      |                      |                        | •                      | •                      | •                      | • |                  |                    |                  |  |     |
| 27  | 710465800 | STANDARD COMBUST.CHAMBER FUGAS | •                  | •                    | •                  | •                    |                      |                        |                        |                        |                        |   |                  |                    |                  |  |     |
| 29  | 710283700 | DEFLECTOR INSULATION SPARE     | •                  | •                    | •                  | •                    | •                    | •                      | •                      | •                      | •                      | • |                  |                    |                  |  |     |
| 30  | 5411020   | INSULATION PANEL               | •                  | •                    | •                  | •                    | •                    | •                      | •                      | •                      | •                      | • |                  |                    |                  |  |     |
| 32  | 5671940   | HEAT EXCHANGER BASIC 4E        | •                  | •                    | •                  |                      |                      |                        | •                      | •                      |                        |   |                  |                    |                  |  |     |
| 32  | 5671950   | HEAT EXCHANGER                 |                    |                      |                    |                      |                      |                        |                        |                        |                        | • | •                |                    |                  |  |     |
| 32  | 5671960   | HEAT EXCHANGER                 |                    |                      |                    |                      | •                    |                        |                        |                        |                        |   |                  |                    |                  |  |     |
| 33  | 5403130   | O-RING 22 x 3                  | •                  | •                    | •                  | •                    | •                    | •                      |                        |                        | •                      |   |                  | 1311               |                  |  |     |
| 33  | 710963000 | OR 21,5X3 EP70 TFL             |                    |                      |                    |                      |                      |                        |                        | •                      |                        | • |                  |                    |                  |  |     |
| 33  | 710963000 | OR 21,5X3 EP70 TFL             | •                  | •                    | •                  | •                    | •                    | •                      |                        |                        | •                      |   |                  |                    | 1312             |  | YES |
| 34  | 8380860   | FIXING CLIP                    | •                  | •                    | •                  | •                    | •                    | •                      | •                      | •                      | •                      | • |                  |                    |                  |  |     |
| 35  | 710022400 | EXPANSION VASSEL 10L           |                    |                      |                    |                      | •                    |                        |                        |                        | •                      | • |                  |                    |                  |  |     |
| 35  | 710022500 | EXPANSION VASSEL 8L            | •                  | •                    | •                  |                      |                      |                        | •                      | •                      |                        |   |                  |                    |                  |  |     |
| 36  | 710157400 | EXPANSION VESSEL PIPE          | •                  | •                    | •                  | •                    | •                    | •                      | •                      | •                      | •                      | • |                  |                    |                  |  |     |
| 41  | 710448200 | BURNER (WORGAS PX951a)         | •                  | •                    | •                  | •                    | •                    | •                      | •                      | •                      | •                      | • |                  | 1418               |                  |  |     |
| 41  | 711570500 | BURNER/FLANGE 5E ASS.          | •                  | •                    | •                  | •                    | •                    | •                      | •                      | •                      | •                      | • |                  |                    | 1419             |  | YES |
| 48  | 710282300 | CONDENSING WATER 80/60 IT      | •                  | •                    | •                  | •                    | •                    | •                      | •                      | •                      | •                      | • |                  |                    |                  |  |     |
| 49  | 5409280   | TAP ADAPTOR                    | •                  | •                    | •                  | •                    | •                    | •                      | •                      | •                      | •                      | • |                  |                    |                  |  |     |
| 59  | 8513520   | LEAD - IGNITION                | •                  | •                    | •                  | •                    | •                    | •                      | •                      | •                      | •                      | • |                  |                    |                  |  |     |
| 63  | 710220000 | ELECTRODE - IGNITION           | •                  | •                    | •                  | •                    | •                    | •                      | •                      | •                      | •                      | • |                  |                    |                  |  |     |
| 65  | 710424200 | FLAME SENSOR B&P               | •                  | •                    | •                  | •                    | •                    | •                      | •                      | •                      | •                      | • |                  |                    |                  |  |     |
| 70  | 710156800 | PIPE PUMP - EXCHANGER          | •                  | •                    | •                  | •                    | •                    | •                      | •                      | •                      | •                      | • |                  |                    |                  |  |     |
| 72  | 710309200 | ASSY PUMP AND PWM CONNECTOR    | •                  | •                    | •                  | •                    | •                    | •                      | •                      | •                      | •                      | • |                  |                    |                  |  |     |
| 73  | 710493600 | AIR VENT PUMP GR.              | •                  | •                    | •                  | •                    | •                    | •                      | •                      | •                      | •                      | • |                  |                    |                  |  |     |
| 76  | 5686680   | DHW PLATE EXCHANGER 14 PLATE   |                    |                      |                    |                      |                      |                        | •                      |                        |                        |   |                  |                    |                  |  |     |
| 76  | 5689930   | EXCHANGER 20 PLATE TO PLATE    |                    |                      |                    |                      |                      |                        |                        |                        |                        | • |                  |                    |                  |  |     |
| 76  | 711613000 | DHW PLATE EXCHANGER 14 PLATES  |                    |                      |                    |                      |                      |                        |                        | •                      |                        |   |                  |                    |                  |  |     |
| 76  | 711613200 | DHW PLATE EXCHANGER 20 PLATES  |                    |                      |                    |                      |                      |                        |                        |                        |                        |   | •                |                    |                  |  |     |
| 77  | 5404520   | DHW PLATE EXCHANGER GASKET     |                    |                      |                    |                      |                      |                        | •                      |                        | •                      |   |                  |                    |                  |  |     |
| 77  | 711613500 | DHW PLATE EXCHANGER OR         |                    |                      |                    |                      |                      |                        |                        | •                      |                        | • |                  |                    |                  |  |     |



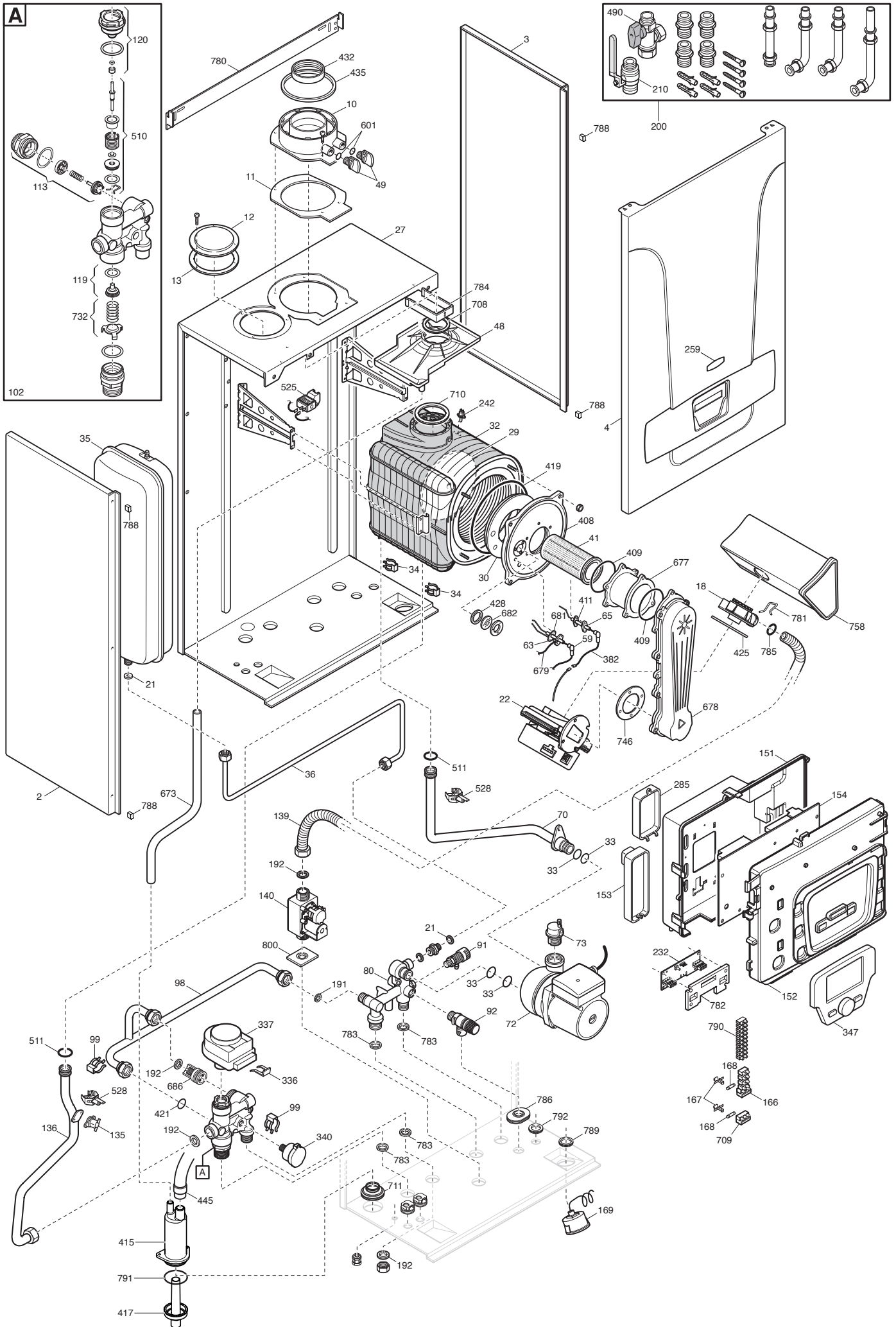
| Pos | Code      | Description code               | 71026503/4<br>1.12 GA | 710843502/3<br>1.18 GA | 710658303/4<br>1.24 GA | 711028801/2<br>1.32 GA | 710269503/4<br>24 GA | 710269505<br>24 GA | 711028901/2<br>33 GA | 71028903<br>33 GA | To<br>serial<br>number | From<br>serial<br>number | Intercha<br>ngeable: |     |
|-----|-----------|--------------------------------|-----------------------|------------------------|------------------------|------------------------|----------------------|--------------------|----------------------|-------------------|------------------------|--------------------------|----------------------|-----|
| 154 | 711012000 | PCB LMS15 CONF. 00000-00599    |                       |                        |                        |                        |                      |                    |                      | •                 | •                      | 1531                     |                      |     |
| 154 | 711012300 | PCB LMS15 CONF. 00000-00596    |                       |                        |                        | •                      |                      |                    |                      |                   |                        | 1531                     |                      |     |
| 154 | 721332300 | PCB LMS15 CONF.00000-00592     | •                     |                        |                        |                        |                      |                    |                      |                   |                        | 1531                     | 1410                 | YES |
| 154 | 721332400 | PCB LMS15 CONF.00000-00594     |                       |                        | •                      |                        |                      |                    |                      |                   |                        | 1531                     | 1410                 | YES |
| 154 | 722206700 | PCB LMS 15                     | •                     |                        |                        |                        |                      |                    |                      |                   |                        |                          | 1532                 | YES |
| 154 | 722206800 | PCB LMS15                      |                       | •                      |                        |                        |                      |                    |                      |                   |                        |                          | 1532                 | YES |
| 154 | 722206900 | PCB LMS 15                     |                       |                        | •                      |                        |                      |                    |                      |                   |                        |                          | 1532                 | YES |
| 154 | 722207100 | PCB LMS15                      |                       |                        |                        | •                      |                      |                    |                      |                   |                        |                          | 1532                 | YES |
| 154 | 722207300 | PCB LMS15                      |                       |                        |                        |                        | •                    | •                  |                      |                   |                        |                          | 1532                 | YES |
| 154 | 722207600 | PCB LMS15                      |                       |                        |                        |                        |                      |                    | •                    | •                 |                        |                          | 1532                 | YES |
| 166 | 8421590   | TERMINAL BLOCK                 | •                     | •                      | •                      | •                      | •                    | •                  | •                    | •                 |                        |                          |                      |     |
| 167 | 5405340   | FUSE HOLDER                    | •                     | •                      | •                      | •                      | •                    | •                  | •                    | •                 |                        |                          |                      |     |
| 168 | 9950580   | FUSE                           | •                     | •                      | •                      | •                      | •                    | •                  | •                    | •                 |                        |                          |                      |     |
| 169 | 710554900 | MANOMETER                      | •                     | •                      | •                      | •                      | •                    | •                  | •                    | •                 |                        |                          |                      |     |
| 191 | 5408970   | WASHER - SEALING G1/2          | •                     | •                      | •                      | •                      |                      |                    |                      |                   |                        |                          |                      |     |
| 192 | 5404650   | SEALING WASHER G 3/4           | •                     | •                      | •                      | •                      | •                    | •                  | •                    | •                 |                        |                          |                      |     |
| 200 | 710802500 | CONNECTION ASSEMBLY            |                       |                        |                        |                        | •                    | •                  | •                    | •                 |                        |                          |                      |     |
| 200 | 710802600 | CONNECTION ASSEMBLY            | •                     | •                      | •                      | •                      |                      |                    |                      |                   |                        |                          |                      |     |
| 210 | 9950830   | GAS TAP                        | •                     | •                      | •                      | •                      | •                    | •                  | •                    | •                 |                        |                          |                      |     |
| 232 | 710028100 | BRIDGE PCB                     | •                     | •                      | •                      | •                      | •                    | •                  | •                    | •                 |                        |                          |                      |     |
| 242 | 8435270   | NTC SENSOR                     | •                     | •                      | •                      | •                      | •                    | •                  | •                    | •                 |                        |                          |                      |     |
| 259 | 710419300 | BRAND BAXI                     | •                     | •                      | •                      | •                      | •                    | •                  | •                    | •                 |                        |                          |                      |     |
| 280 | 5207730   | GASKET 14,2X18X1,5             |                       |                        |                        |                        | •                    | •                  | •                    | •                 |                        |                          |                      |     |
| 285 | 710083600 | COVER CLIP-IN                  | •                     | •                      | •                      | •                      | •                    | •                  | •                    | •                 |                        |                          |                      |     |
| 336 | 8380680   | CLIP-RETAINING                 | •                     | •                      | •                      | •                      | •                    | •                  | •                    | •                 |                        |                          |                      |     |
| 337 | 5694580   | 3 WAY VALVE MOTOR              | •                     | •                      | •                      | •                      | •                    | •                  | •                    | •                 |                        |                          |                      |     |
| 340 | 710109100 | PRESSURE SENSOR                | •                     | •                      | •                      | •                      | •                    | •                  | •                    | •                 |                        |                          |                      |     |
| 347 | 710628400 | REMOTE CONTROL 2S              | •                     | •                      | •                      | •                      | •                    | •                  | •                    | •                 |                        |                          |                      |     |
| 382 | 8511130   | FLAME SENSING CABLE            | •                     | •                      | •                      | •                      | •                    | •                  | •                    | •                 |                        |                          |                      |     |
| 408 | 5212900   | COMB.CHAMBER UPPER COVER       | •                     | •                      | •                      | •                      | •                    | •                  | •                    | •                 |                        | 1418                     |                      |     |
| 408 | 711571000 | COMB.CHAMBER UPPER COVER       | •                     | •                      | •                      | •                      | •                    | •                  | •                    | •                 |                        |                          | 1419                 | YES |
| 409 | 5413530   | GASKET BURNER                  | •                     | •                      | •                      | •                      | •                    | •                  | •                    | •                 |                        | 1418                     |                      |     |
| 409 | 721543100 | BURNER GASKET ASS.             | •                     | •                      | •                      | •                      | •                    | •                  | •                    | •                 |                        |                          | 1419                 | YES |
| 411 | 710185200 | FLAME SENSING ELEC.GASKET      | •                     | •                      | •                      | •                      | •                    | •                  | •                    | •                 |                        |                          |                      |     |
| 415 | 710016700 | SIPHON BODY                    | •                     | •                      | •                      | •                      | •                    | •                  | •                    | •                 |                        |                          |                      |     |
| 417 | 710522300 | PLUG SIPHON                    | •                     | •                      | •                      | •                      | •                    | •                  | •                    | •                 |                        |                          |                      |     |
| 419 | 5411000   | COMB.CHAMBER GASKET            | •                     | •                      | •                      | •                      | •                    | •                  | •                    | •                 |                        |                          |                      |     |
| 421 | 5408270   | O-RING 11,91 X 2,62 NBR        | •                     | •                      | •                      | •                      |                      |                    |                      |                   |                        |                          |                      |     |
| 425 | 710042400 | VENTURI GASKET                 | •                     | •                      | •                      | •                      | •                    | •                  | •                    | •                 |                        |                          |                      |     |
| 428 | 5409290   | GASKET                         | •                     | •                      | •                      | •                      | •                    | •                  | •                    | •                 |                        |                          |                      |     |
| 432 | 5410420   | WASHER DIA 60 OUTLET BEND      | •                     | •                      | •                      | •                      | •                    | •                  | •                    | •                 |                        |                          |                      |     |
| 435 | 5407550   | WASHER DIA100 OUTER ADAPT SEAL | •                     | •                      | •                      | •                      | •                    | •                  | •                    | •                 |                        |                          |                      |     |
| 445 | 710066100 | PIPE EXCHANGER/SYPHON          | •                     | •                      | •                      | •                      | •                    | •                  | •                    | •                 |                        |                          |                      |     |

| Pos | Code      | Description code               | 71026503/4<br>1.12 GA | 710843502/3<br>1.18 GA | 710658303/4<br>1.24 GA | 711028801/2<br>1.32 GA | 710269503/4<br>24 GA | 710269505<br>24 GA | 711028901/2<br>33 GA | 711028903<br>33 GA | To<br>serial<br>number | From<br>serial<br>number | Intercha<br>ngeable: |
|-----|-----------|--------------------------------|-----------------------|------------------------|------------------------|------------------------|----------------------|--------------------|----------------------|--------------------|------------------------|--------------------------|----------------------|
| 490 | 710227300 | SANITARY TAP G1/2              | •                     | •                      | •                      | •                      | •                    | •                  | •                    | •                  |                        |                          |                      |
| 493 | 620880    | FILLING KNOB ASS.L=50-10.0318- |                       |                        |                        |                        | •                    | •                  | •                    | •                  |                        |                          |                      |
| 496 | 400020    | O-RING                         |                       |                        |                        |                        | •                    | •                  | •                    | •                  |                        |                          |                      |
| 510 | 600760    | DHW PADDLE ASSEMBLY            | •                     | •                      | •                      | •                      |                      |                    |                      |                    |                        |                          |                      |
| 511 | 5404600   | O.R. 17,86x2,62                | •                     | •                      | •                      | •                      | •                    | •                  | •                    | •                  |                        |                          |                      |
| 525 | 710027900 | IGNITER ANSTOSS                | •                     | •                      | •                      | •                      | •                    | •                  | •                    | •                  |                        |                          |                      |
| 528 | 710439300 | SENSOR TODS                    | •                     | •                      | •                      | •                      | •                    | •                  | •                    | •                  |                        |                          |                      |
| 600 | 5112530   | SPRING                         |                       |                        |                        |                        | •                    | •                  | •                    | •                  |                        |                          |                      |
| 601 | 5408560   | O-RING 8,73x1,78               | •                     | •                      | •                      | •                      | •                    | •                  | •                    | •                  |                        |                          |                      |
| 624 | 8435380   | FLOW RILEVATOR                 |                       |                        |                        |                        | •                    | •                  | •                    | •                  |                        |                          |                      |
| 673 | 710066000 | CONDENSY PIPE/SYPHON L=680mm   | •                     | •                      | •                      | •                      | •                    | •                  | •                    | •                  |                        |                          |                      |
| 677 | 5212930   | EXTENSION                      | •                     | •                      | •                      |                        | •                    | •                  |                      |                    |                        |                          |                      |
| 678 | 710051400 | AIR-GAS CONVEYOR ASS.LUNA4     | •                     | •                      | •                      | •                      | •                    | •                  | •                    | •                  |                        |                          |                      |
| 679 | 8511150   | EARTH/IGNITOR CABLE            | •                     | •                      | •                      | •                      | •                    | •                  | •                    | •                  |                        |                          |                      |
| 681 | 710185300 | IGNITION ELECTRODE GASKET      | •                     | •                      | •                      | •                      | •                    | •                  | •                    | •                  |                        |                          |                      |
| 682 | 5211800   | SIGHT GLASS                    | •                     | •                      | •                      | •                      | •                    | •                  | •                    | •                  |                        |                          |                      |
| 686 | 5663020   | BY-PASS PLUG ASSEMBLY          | •                     | •                      | •                      | •                      |                      |                    |                      |                    |                        |                          |                      |
| 708 | 5410970   | GASKET WITH DOUBLE LIP         | •                     | •                      | •                      | •                      | •                    | •                  | •                    | •                  |                        |                          |                      |
| 709 | 8423160   | TERMINAL BLOCK                 | •                     | •                      | •                      | •                      | •                    | •                  | •                    | •                  |                        |                          |                      |
| 710 | 5411030   | GASKET                         | •                     | •                      | •                      | •                      | •                    | •                  | •                    | •                  |                        |                          |                      |
| 711 | 710039600 | SYPHON GASKET                  | •                     | •                      | •                      | •                      | •                    | •                  | •                    | •                  |                        |                          |                      |
| 732 | 620210    | SPRING ASS.                    | •                     | •                      | •                      | •                      |                      |                    |                      |                    |                        |                          |                      |
| 746 | 5410900   | VENTURI GASKET                 | •                     | •                      | •                      | •                      | •                    | •                  | •                    | •                  |                        |                          |                      |
| 758 | 710088400 | SILENCER ASSY 40 KW            | •                     | •                      | •                      | •                      | •                    | •                  | •                    | •                  |                        |                          |                      |
| 780 | 710014800 | UPPER SUPPORT                  | •                     | •                      | •                      | •                      | •                    | •                  | •                    | •                  |                        |                          |                      |
| 781 | 710011400 | CLIP FIX GAS PIPE              | •                     | •                      | •                      | •                      | •                    | •                  | •                    | •                  |                        |                          |                      |
| 782 | 710183600 | GASKET PCB BRIDGE              | •                     | •                      | •                      | •                      | •                    | •                  | •                    | •                  |                        |                          |                      |
| 783 | 710039500 | HYDRAULIC GROUP GASKET         | •                     | •                      | •                      | •                      | •                    | •                  | •                    | •                  |                        |                          |                      |
| 784 | 710123900 | REDUCTION FLUE SUPPORT         | •                     | •                      | •                      | •                      | •                    | •                  | •                    | •                  |                        |                          |                      |
| 785 | 710061400 | O RING GAS PIPE 18 X 3 NBR     | •                     | •                      | •                      | •                      | •                    | •                  | •                    | •                  |                        |                          |                      |
| 786 | 710156600 | SAFETY VALVE SEAL              | •                     | •                      | •                      | •                      | •                    | •                  | •                    | •                  |                        |                          |                      |
| 787 | 710156200 | SEAL FILLING TAP               |                       |                        |                        |                        | •                    | •                  | •                    | •                  |                        |                          |                      |
| 788 | 710176000 | COMBUSTION CHAMBER GASKET C    | •                     | •                      | •                      | •                      | •                    | •                  | •                    | •                  |                        |                          |                      |
| 789 | 710017200 | GASKET MANOMETER               | •                     | •                      | •                      | •                      | •                    | •                  | •                    | •                  |                        |                          |                      |
| 790 | 710117900 | TERMINAL BLOCK 10 PIN PA35     | •                     | •                      | •                      | •                      | •                    | •                  | •                    | •                  |                        |                          |                      |
| 791 | 5411840   | O-RING 40,95x2,62-EPDM         | •                     | •                      | •                      | •                      | •                    | •                  | •                    | •                  |                        |                          |                      |
| 792 | 710189600 | PLASTIC PLUG FASTPOIN.4816EA00 | •                     | •                      | •                      | •                      | •                    | •                  | •                    | •                  |                        |                          |                      |
| 800 | 710132200 | GAS VALVE GASKET               | •                     | •                      | •                      | •                      | •                    | •                  | •                    | •                  |                        |                          |                      |
| 808 | 721311400 | O-RING 18X2                    |                       |                        |                        |                        |                      | •                  |                      | •                  |                        |                          |                      |
| 809 | 711615000 | SPRING                         |                       |                        |                        |                        |                      | •                  |                      | •                  |                        |                          |                      |
| 999 | 8414540   | CABLE ROOM TH                  | •                     | •                      | •                      | •                      | •                    | •                  | •                    | •                  |                        |                          |                      |
| 999 | 8414620   | POWER CABLE                    | •                     | •                      | •                      | •                      | •                    | •                  | •                    | •                  |                        |                          |                      |
| 999 | 710053800 | BRIDGE CABLE                   | •                     | •                      | •                      | •                      | •                    | •                  | •                    | •                  |                        |                          |                      |

| Pos | Code      | Description code               |                   |                      |                    |                      |                      |                        |                        |                        |                        |   | To serial number | From serial number | Interchangeable: |  |  |
|-----|-----------|--------------------------------|-------------------|----------------------|--------------------|----------------------|----------------------|------------------------|------------------------|------------------------|------------------------|---|------------------|--------------------|------------------|--|--|
|     |           |                                | 71028903<br>33 GA | 711028901/2<br>33 GA | 710269505<br>24 GA | 710269503/4<br>24 GA | 711028801/2<br>24 GA | 710658303/4<br>1.32 GA | 710658303/4<br>1.24 GA | 710843502/3<br>1.18 GA | 710266503/4<br>1.12 GA |   |                  |                    |                  |  |  |
| 999 | 710057600 | CABLE POWER SUPPLY PCB         | •                 | •                    | •                  | •                    | •                    | •                      | •                      | •                      | •                      | • |                  |                    |                  |  |  |
| 999 | 710062700 | CABLE NTC/EXTERNAL SENSOR      |                   |                      |                    |                      |                      | •                      | •                      | •                      | •                      |   |                  |                    |                  |  |  |
| 999 | 710062800 | CABLE QAAX5                    | •                 | •                    | •                  | •                    | •                    | •                      | •                      | •                      | •                      |   |                  |                    |                  |  |  |
| 999 | 710066500 | CABLE ROOM THERMOSTAT          | •                 | •                    | •                  | •                    | •                    | •                      | •                      | •                      | •                      |   |                  |                    |                  |  |  |
| 999 | 710071700 | CABLE NTC FLUE                 | •                 | •                    | •                  | •                    |                      |                        |                        |                        |                        |   |                  |                    |                  |  |  |
| 999 | 710079700 | CABLE NTC ADDED                | •                 | •                    | •                  | •                    | •                    | •                      | •                      | •                      | •                      |   |                  |                    |                  |  |  |
| 999 | 710103100 | CABLE GROUND FRAME             | •                 | •                    | •                  | •                    | •                    | •                      | •                      | •                      | •                      |   |                  |                    |                  |  |  |
| 999 | 710124200 | CABLE GAS VALVE/IGNITER        | •                 | •                    | •                  | •                    | •                    | •                      | •                      | •                      | •                      |   |                  |                    |                  |  |  |
| 999 | 710124300 | CABLE GAS VALVE STEPPER MOTOR  | •                 | •                    | •                  | •                    | •                    | •                      | •                      | •                      | •                      |   |                  |                    |                  |  |  |
| 999 | 710124400 | CABLE ROOM THERMOSTAT          | •                 | •                    | •                  | •                    | •                    | •                      | •                      | •                      | •                      |   |                  |                    |                  |  |  |
| 999 | 710125300 | CABLE PWM FAN/PUMP             | •                 | •                    | •                  | •                    | •                    | •                      | •                      | •                      | •                      |   |                  |                    |                  |  |  |
| 999 | 710168900 | CABLE FAN                      | •                 | •                    | •                  | •                    | •                    | •                      | •                      | •                      | •                      |   |                  |                    |                  |  |  |
| 999 | 710267600 | WIRING HARNESS 3WAY VALVE/PUMP | •                 | •                    | •                  | •                    | •                    | •                      | •                      | •                      | •                      |   |                  |                    |                  |  |  |
| 999 | 710267700 | WIRING HARNESS NTC BOILER/EXT. | •                 | •                    | •                  | •                    | •                    |                        |                        |                        |                        |   |                  |                    |                  |  |  |
| 999 | 710428900 | CABLE LOW POWER SUPP.ONLY HEAT | •                 | •                    | •                  | •                    |                      |                        |                        |                        |                        |   |                  |                    |                  |  |  |
| 999 | 710514400 | WIRING HARNESS LOW VOLTAGE     |                   |                      |                    |                      |                      | •                      | •                      | •                      | •                      |   |                  |                    |                  |  |  |



# Tab 467







**BAXI**

**BAXI S.p.A.  
Via Trozzetti, 20  
36061 BASSANO DEL GRAPPA (VI)  
ITALY  
Tel. +390424517111  
Telefax +390424517379  
E-mail. [service@baxi.it](mailto:service@baxi.it)**