

Combi

SPARE PARTS CATALOGUE

- October 2015 -

HOW TO READ THE SPARE PARTS CATALOGUE

In the spare part catalogue, after the exploded diagrams, there are the components lists of the boilers; this is the meaning of the different columns:

Pos. Identification number of the component in the exploded diagram of the boiler.

Description Short description of the component.

Code BAXI S.p.A. code of the component.

Tab. XX XX is the exploded diagram number of the boiler taken into consideration.

Until to 31st december 2011

From serial number Date (year and week) identifying the beginning of production of a component (taken from the serial number of the boiler).

e.g. 1201: year 2012 (1 identifies the decade 2010-2019; 2 identifies the year) – 01th week.

If the box is empty, the component is in use from the beginning of production of the boiler.

To serial number Date (year and week) identifying the end of production of a component (taken from the serial number of the boiler).

e.g. 1225: year 2012 (1 identifies the decade 2010-2019; 2 identifies the year) – 25th week.

If the box is empty, the component is still in use.

Interchangeable It identifies the interchangeability between the new component and the old one.

YES: components are interchangeable.

NO: components are not interchangeable.

TABELLA COLLEGAMENTO CODICE CALDAIA - ESPLOSO TABLEAU CONNECTION CODEX CHAUDIERE - VUE ECLATEE BOILERS CONNECTION BOARD - EXPLODED VIEW

| BOILER CODE | BOILER DESCRIPTION | EXPLODED REF. |
|-----------------------|------------------------------|--------------------------|
| CODICE CALDAIA | DESCRIZIONE CALDAIA | RIF. ESPLOSO |
| CODIGO CALDERA | DESCRIPCION CALDERA | REF. EXPLOSIONADO |
| CODE CHAUDIÈRE | DESCRIPTION CHAUDIÈRE | RÉF. EXPLOSÉE |
| KSL714084716/7/8 | COMBI 80 LITRI | Tab 119 |
| KSL714084713/4/5 | COMBI 80 LITRI | Tab 119 |
| KSL714084710/1 | MODULO 80 LITRI | Tab 118 |
| KSL714084712 | MODULO 80 LITRI | Tab 118 |

Combi

13/09/2016

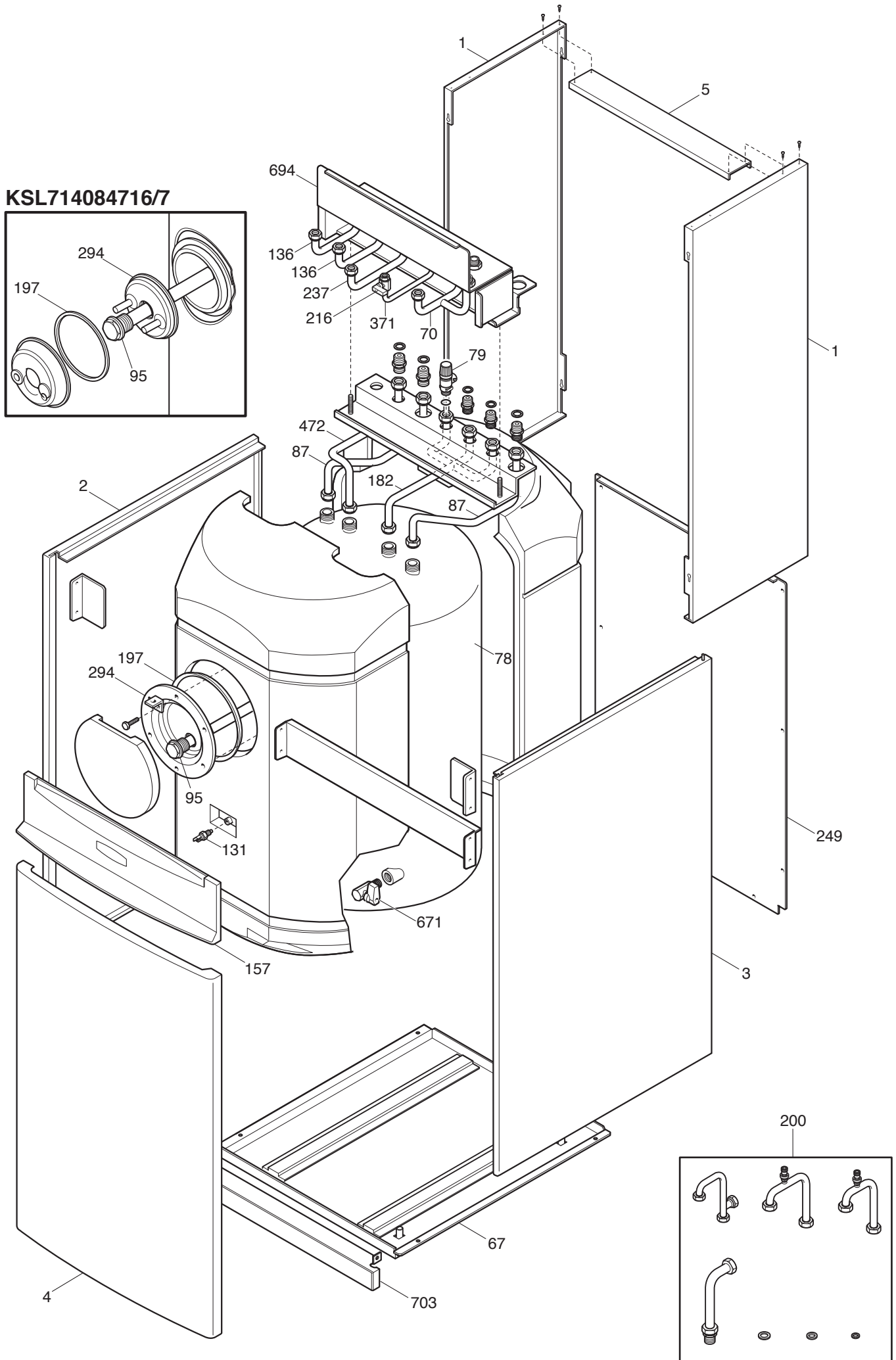
| Pos | Code | Description code | | | | | To serial number | From serial number | Interchangeable: |
|-----|-----------|--------------------------------|----------------------------------|--------------------------------|-----------------------------------|-----------------------------------|------------------|--------------------|------------------|
| | | | KSJ14084710/1 MODULO 80 Litri | KSJ14084712 MODULO 80 Litri | KSJ14084713/4/5 COMBI 80 Litri | KSJ14084716/7/8 COMBI 80 Litri | | | |
| 1 | 3110020 | REAR ABUTMENT MODULO | • | • | • | | | | |
| 1 | 3111150 | REAR ABUTMENT MODULO | | | | • | | | |
| 2 | 616440 | ABUTMENT GROUP LEFT MODULO | • | • | • | | B807 | | |
| 2 | 620850 | LEFT PANEL | | | | • | | | |
| 2 | 620850 | LEFT PANEL | • | • | • | | | B808 YES | |
| 3 | 616430 | ABUTMENT GROUP RIGHT MODULO | • | • | • | | B642 | | |
| 3 | 620840 | RIGHT PANEL | | | | • | | | |
| 3 | 620840 | RIGHT PANEL | • | • | • | | | B643 YES | |
| 4 | 615640 | DOOR ASSEMBLY | • | • | • | | B642 | | |
| 4 | 620830 | DOOR FRONTAL PANEL | • | • | • | | | B643 YES | |
| 4 | 620830 | DOOR FRONTAL PANEL | | | | • | | | |
| 5 | 3110030 | TRAVERSE REAR ABUTMENT | • | • | • | • | | | |
| 67 | 3619910 | BOILER BASIN ASSEMBLY | • | • | • | • | | | |
| 70 | 3620270 | HEATING RETURN PIPE MODULO | | | • | • | | | |
| 78 | 615560 | STORAGE TANK ASSEMBLY WITH INS | • | | | | B336 | NO | |
| 78 | 616330 | BOILER GROUP INS. 80 INOX | | • | • | | | | |
| 78 | 616330 | BOILER GROUP INS. 80 INOX | • | | | | | B337 | |
| 78 | 626960 | ISOLATED BOILER INOX 80 L | | | | • | 1236 | | |
| 78 | 711109100 | ISOLATED BOILER INOX 80 L | | | | • | | 1237 YES | |
| 79 | 9950620 | HYDRAULIC SAFETY VALVE 8 BAR | • | • | • | • | | | |
| 87 | 3620220 | CONNECTING PIPE | | | • | • | | | |
| 95 | 3619980 | CAP/ANODE ASSEMBLY L=365 | • | • | • | | B907 | | |
| 95 | 3627180 | CAP/ANODE ASSEMBLY FOR MODULO | • | • | • | | | B908 YES | |
| 95 | 3627180 | CAP/ANODE ASSEMBLY FOR MODULO | | | | • | | | |
| 131 | 8435400 | NTC SENSOR | • | • | • | • | | | |
| 136 | 3620290 | HEATING PIPE | | | • | • | | | |
| 157 | 3401990 | PANEL PLATE FOR MODULO UB 80 | • | • | • | | | | |
| 157 | 3402370 | PANEL PLATE COMBI | | | | • | | | |
| 182 | 3620710 | INLET DHW BOILER PIPE | | | • | • | | | |
| 197 | 3401860 | GASKET FLANGE UB 80/120 INOX | • | • | • | | | | |
| 197 | 5412820 | ORING 85,09X5,34 EPDM | | | | • | | | |
| 200 | 3620300 | CONNECTION SET BOILER MODULO | • | | | | | | |
| 200 | 3620640 | CONNECTION SET MODULO | | • | • | • | | | |
| 216 | 9951230 | FILLING TAP | • | • | • | • | | | |
| 237 | 3620260 | GAS PIPE MODULO | | | • | • | | | |
| 249 | 3109950 | MODULO UB 80 REAR PART | • | • | • | • | | | |
| 294 | 3619970 | FLANGE/ANODE ASSEMBLY | • | • | • | | | | |
| 294 | 3627200 | HANDRAILS INSIDE | | | | • | | | |
| 371 | 3620280 | FILLING PIPE MODULO | | | • | • | | | |
| 472 | 3620720 | OUTLET PIPE | | | • | • | | | |
| 607 | 8434930 | CONTACT SENSOR | • | | | | B336 | | |

Combi

13/09/2016

| Pos | Code | Description code | | | | | To serial number | From serial number | Intercha ngeable: |
|-----|---------|-----------------------------|-------------------------------------|-------------------------------------|----------------------------------|------------------------------------|------------------------|--------------------------|----------------------|
| | | | KSJL714084716/7/8 COMBI 80 litri | KSJL714084713/4/5 COMBI 80 litri | KSJL714084712 MODULO 80 litri | KSJL714084710/1 MODULO 80 litri | | | |
| 671 | 5646780 | DRAINING TAP G 1/2 (COPPER) | • | • | • | • | | | |
| 694 | 615650 | CONNECTION GROUP MODULO | • | • | • | • | | | |
| 703 | 3109960 | BASE | • | • | • | | | | |

KSL714084716/7



BAXI

BAXI S.p.A.
Via Trozzetti, 20
36061 BASSANO DEL GRAPPA (VI)
ITALY
Tel. +390424517111
Telefax +390424517379
E-mail. service@baxi.it