

BAXI



LUNA 3 COMFORT

SPARE PARTS CATALOGUE

- January 2015 -

HOW TO READ THE SPARE PARTS CATALOGUE

In the spare part catalogue, after the exploded diagrams, there are the components lists of the boilers; this is the meaning of the different columns:

Pos.	Identification number of the component in the exploded diagram of the boiler.
Description	Short description of the component.
Code	BAXI S.p.A. code of the component.
Tab. XX	XX is the exploded diagram number of the boiler taken into consideration.

Until 31st December 2011

From serial number Date (year and week) identifying the beginning of production of a component (taken from the serial number of the boiler).
e.g. B005: year 2000 (B identifies the decade 2000-2009; 0 identifies the year) – 5th week.
If the box is empty, the component is in use from the beginning of production of the boiler.

To serial number Date (year and week) identifying the end of production of a component (taken from the serial number of the boiler).
e.g. B012: year 2000 (B identifies the decade 2000-2009; 0 identifies the year) – 12th week.
If the box is empty, the component is still in use.

Interchangeable It identifies the interchangeability between the new component and the old one.
YES: components are interchangeable.
NO: components are not interchangeable

From the 1st January 2012

From serial number Date (year and week) identifying the beginning of production of a component (taken from the serial number of the boiler).
e.g. 1205: year 2012 (1 identifies the decade 2010-2019; 2 identifies the year) – 5th week.
If the box is empty, the component is in use from the beginning of production of the boiler.

To serial number Date (year and week) identifying the end of production of a component (taken from the serial number of the boiler).
e.g. 1235: year 2012 (1 identifies the decade 2010-2019; 2 identifies the year) – 35th week.
If the box is empty, the component is still in use.

Interchangeable It identifies the interchangeability between the new component and the old one.
YES: components are interchangeable.
NO: components are not interchangeable.

TABELLA COLLEGAMENTO CODICE CALDAIA - ESPLOSO
TABLEAU CONNECTION CODEX CHAUDIERE - VUE ECLATEE
BOILERS CONNECTION BOARD - EXPLODED VIEW

BOILER CODE	BOILER DESCRIPTION	EXPLODED REF.
CODICE CALDAIA	DESCRIZIONE CALDAIA	RIF. ESPLOSO
CODIGO CALDERA	DESCRIPCION CALDERA	REF. EXPLOSIONADO
CODE CHAUDIÈRE	DESCRIPTION CHAUDIÈRE	RÉF. EXPLOSÉE
CSE455243580/1	LUNA3 COMFORT 1.240 Fi	Tab 232
CSE455243582	LUNA3 COMFORT 1.240 Fi	Tab 504
CSE451243580/1	LUNA3 COMFORT 1.240 i	Tab 231
CSE451243582	LUNA3 COMFORT 1.240 i	Tab 231
CSE455313580/1	LUNA3 COMFORT 1.310 Fi	Tab 232
CSE455313582	LUNA3 COMFORT 1.310 Fi	Tab 504
CSE456243581	LUNA3 COMFORT 240 Fi	Tab 94
CSE456243580	LUNA3 COMFORT 240 Fi	Tab 94
CSE452243580	LUNA3 COMFORT 240 i	Tab 95
CSE452243581	LUNA3 COMFORT 240 i	Tab 95
CSE456243583	LUNA3 COMFORT 240Fi	Tab 503
CSE456243582	LUNA3 COMFORT 240Fi	Tab 503
CSE452243583	LUNA3 COMFORT 240i	Tab 344
CSE452243582	LUNA3 COMFORT 240i	Tab 344
CSE456313580	LUNA3 COMFORT 310 Fi	Tab 94
CSE456313581	LUNA3 COMFORT 310 Fi	Tab 94
CSE456313584	LUNA3 COMFORT 310Fi	Tab 503
CSE456313582/3	LUNA3 COMFORT 310Fi	Tab 503



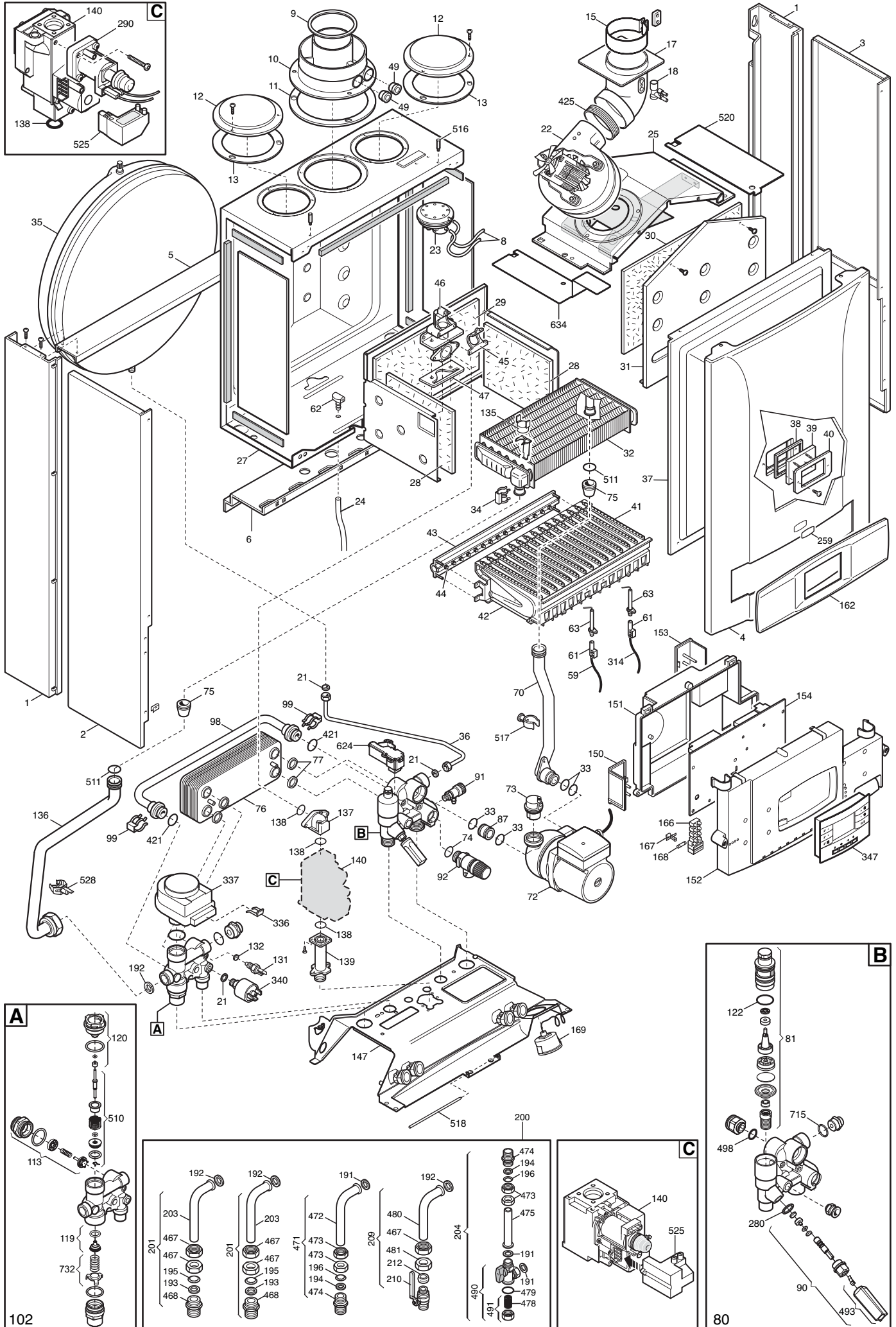
Pos	Code	Description code	CSE45124380/1 1.240F1	CSE45124382 1.240F1	CSE45224380 240F1	CSE45224381 240F1	CSE45224382 240F1	CSE4524380/1 1.240F1	CSE4524382 1.240F1	CSE4531380/1 1.310F1	CSE4531382 1.310F1	CSE45624380 240F1	CSE45624381 240F1	CSE45624382 240F1	CSE45631380 310F1	CSE45631381 310F1	CSE45631382 310F1	CSE45224383 240F1	CSE45631384 310F1	CSE45624383 240F1	To serial number	From serial number	Intercha ngeable:
1	5681330	SUPPORT FRAME		•	•			•	•			•			•						B750		
1	5681330	SUPPORT FRAME	•		•		•	•		•		•			•								
1	5683090	SUPPORT FRAME					•						•		•			•	•				
1	5683090	SUPPORT FRAME		•		•		•		•		•			•							B751	NO
2	5116190	LEFT PANEL	•	•	•	•	•											•					
2	5681390	LEFT PANEL					•	•	•	•	•	•	•	•	•	•	•		•	•			
3	5116170	RIGHT PANEL	•	•	•	•	•											•					
3	5681380	RIGHT PANEL					•	•	•	•	•	•	•	•	•	•	•		•	•			
4	5115970	FRONTAL PANEL LUNA3	•	•	•	•	•	•	•	•	•	•	•	•	•	•	•	•	•	•			
5	5110290	BRACKET-UPPER SUPPORT	•	•	•	•	•	•	•	•	•	•	•	•	•	•	•	•	•	•			
6	5109640	BRACKET-LOWER SUPPORT	•	•	•	•	•	•	•	•	•	•	•	•	•	•	•	•	•	•			
8	5408080	PRESSURE SWITCH PIPE L=270					•	•	•	•	•	•	•	•	•	•	•		•	•			
9	5108700	RESTRICTOR-AIR INTAKE					•	•	•	•	•	•	•	•	•	•	•		•	•			
10	5207060	FLUE ADAPTOR					•	•	•	•	•	•	•	•	•	•	•		•	•			
11	5407890	GASKET ADAPTOR					•	•	•	•	•	•	•	•	•	•	•		•	•			
12	5108690	PLATE BLANKING					•	•	•	•	•	•	•	•	•	•	•		•	•			
13	5407400	SUCTION CAP GASKET					•	•	•	•	•	•	•	•	•	•	•		•	•			
15	600530	JOINT ASSEMBLY					•	•	•	•	•	•	•	•	•	•	•		•	•			
17	5213750	CONVEYOR BEND LUNA3					•	•	•	•	•	•	•	•	•	•	•		•	•			
18	5407050	PRESSURE SENSING VENTURI					•	•				•	•	•					•				
18	5413850	PRESS.SENS.VENTURI SINGLE TAP							•	•					•	•	•		•				
21	5402050	WASHER-SEALING	•	•	•	•	•	•	•	•	•	•	•	•	•	•	•	•	•	•			
22	5653850	FAN - 80					•	•				•	•	•					•				
22	5655730	FAN - 105						•	•						•	•	•		•				
23	628610	PRESS.SWITCH ASS. 0,68mbar HONEYW.						•	•						•	•	•		•				
23	628640	PRESS.SWITCH ASS.1.2mbar HONEYW.					•	•				•	•	•					•				

Pos	Code	Description code	CSE451243580/1 1.240F1	CSE451243582 1.240F1	CSE452243580 240F1	CSE452243581 240F1	CSE452243582 240F1	CSE455243580/1 1.240F1	CSE455243582 1.240F1	CSE455313580/1 1.310F1	CSE455313582 1.310F1	CSE456243580 240F1	CSE456243581 240F1	CSE456243582 240F1	CSE456313580 310F1	CSE456313581 310F1	CSE456313582/3 310F1	CSE452242583 240F1	CSE452242583 240F1	CSE456313584 310F1	CSE456243583 240F1	To serial number	From serial number	Intercha ngeable:	
23	710789900	PRESSURE SWITCH ASSEMBLY HUBA																				1448			
23	710790300	FLUE PRESS.SWITCH 1,2mBAR HUBA																				1448			
23	721890300	FLUE PRESS.SWITCH 70-60Pa HUBA																					1449	YES	
23	721890800	FLUE PRES.SWITCH 95-115Pa HUBA																					1449	YES	
24	5407930	PIPE - VALVE COMPENSATION																				B923			
24	5414320	PIPE-VALVE COMPENS.4,5x8 L=170																							
24	5414320	PIPE-VALVE COMPENS.4,5x8 L=170																					B924	YES	
25	5681090	CONVEYOR ASSEMBLY LUNA3																							
27	5680950	COMBUSTION CHAMBER ASS. 31KW																							
27	5681180	COMBUSTION CHAMBER ASS. 24Kw																							
27	5681700	COMBUST.CHAMBER ASSEMBLY ATM																							
28	5213190	INSULATING PANEL																							
29	5213290	INSULATION - REAR PANEL																							
30	5213310	INSULATING PANEL																							
30	5213340	INSULATING PANEL																							
31	5108030	CONBUSTION CHAMBER FRONT PLATE																							
31	5111840	PANEL-COMBUSTION CHAMBER 80																							
31	5111850	PANEL-COMB CHAMBER-105																							
32	620860	H2O/GAS EXCHANGER 24KW+CLIP																							
32	5680990	EXCHANGER ASS. CLIP 31KW																							
32	5681190	HEATING EXCHANGER H2O/GAS 24Kw																							
33	5403130	O-RING 22 x 3																					1311		
33	710963000	OR 21,5X3 EP70 TFL																							
33	710963000	OR 21,5X3 EP70 TFL																					1312	YES	
34	5113650	PRIMARY EXCHANGER FIXING CLIP																							
35	5608840	EXPANSION VESSEL																					C017		
35	5625560	VESSEL EXPANSION - 8L																					C014		
35	5625570	VESSEL EXPANSION - 8L																							
35	5625570	VESSEL EXPANSION - 8L																						C015	YES

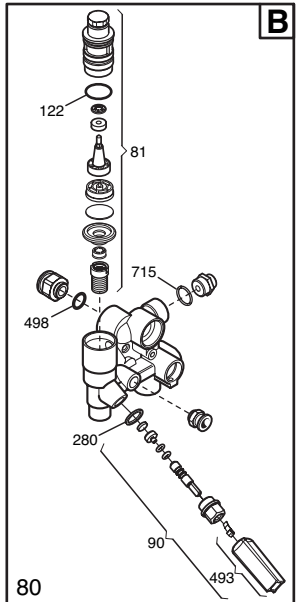
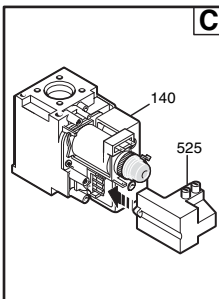
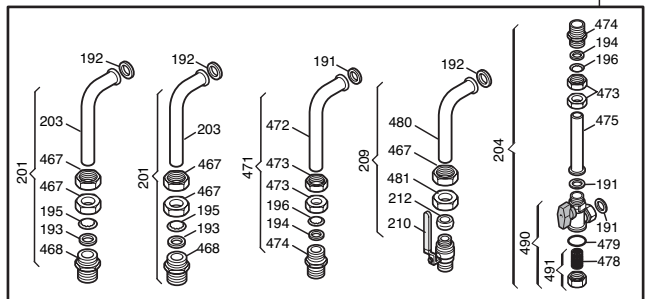
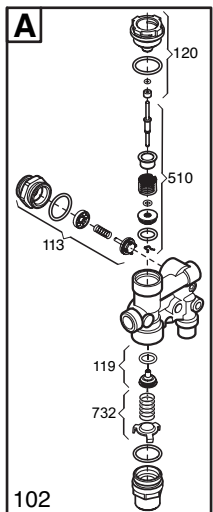
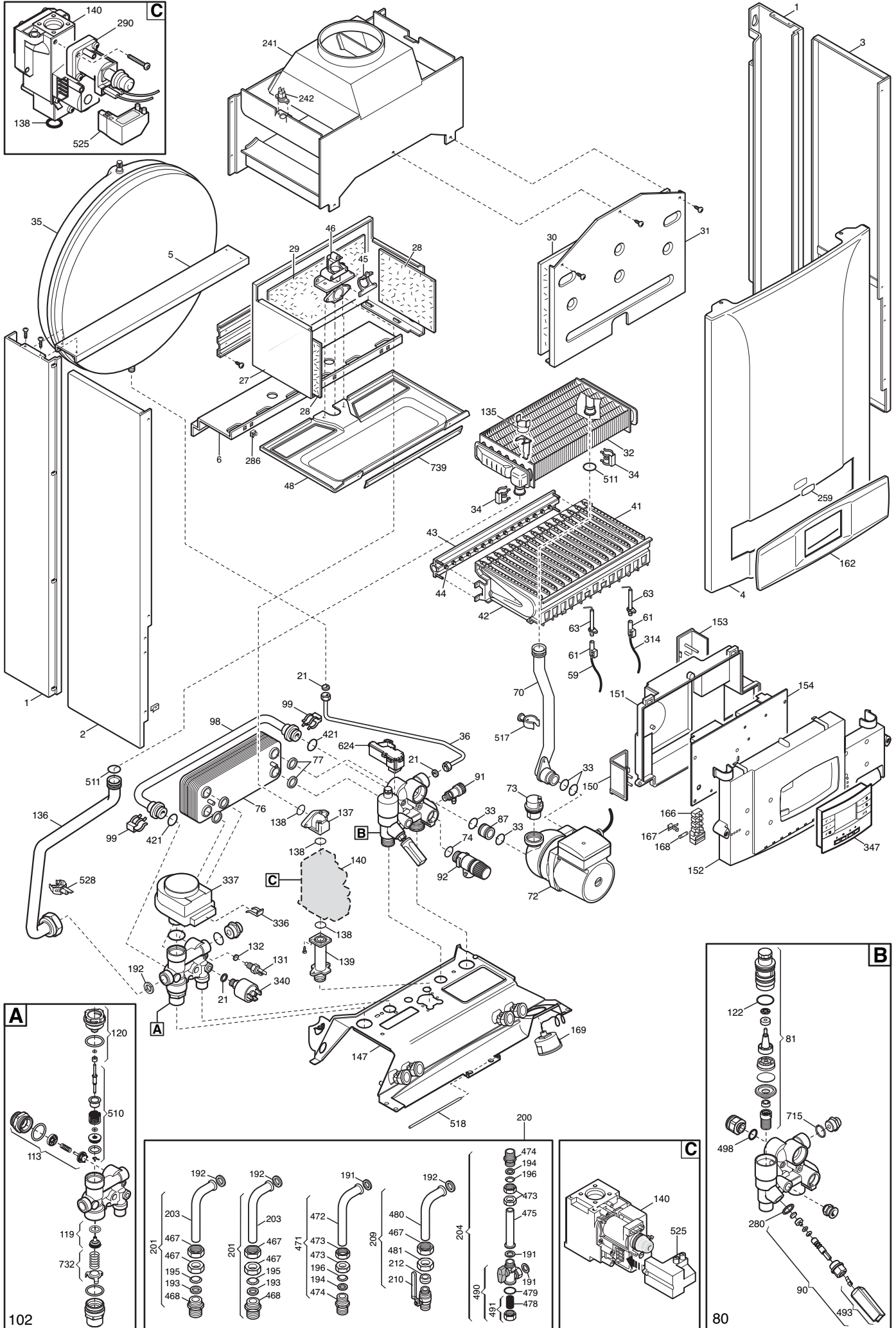


Pos	Code	Description code	CSE451243580/1 1.240Ft	CSE451243582 1.240Ft	CSE452243580 240Ft	CSE452243581 240Ft	CSE452243582 240Ft	CSE452243580/1 1.240Ft	CSE455243582 1.240Ft	CSE455313580/1 1.310Ft	CSE455313582 1.310Ft	CSE456243580 240Ft	CSE456243581 240Ft	CSE456243582 240Ft	CSE456313580 310Ft	CSE456313581 310Ft	CSE456313582/3 310Ft	CSE452242583 240Ft	CSE456243583 240Ft	CSE456313584 310Ft	To serial number	From serial number	Intercha ngeable:	
63	8422570	ELECTRODE - IGNITION	•	•	•	•	•	•	•	•	•	•	•	•	•	•	•	•	•	•				
70	5681020	EXCHANGER/PUMP PIPE ASSEMBLY	•	•	•	•	•																	
70	5681020	EXCHANGER/PUMP PIPE ASSEMBLY						•		•		•	•		•	•						B719		
70	5688900	PIPE ASSEMBLY PUMP/EXCHANGER						•		•		•	•		•	•							B720	NO
70	5688900	PIPE ASSEMBLY PUMP/EXCHANGER							•		•			•			•							
70	711192200	PUMP/EXCHANGER PIPE ASSEMBLY																•	•	•				
72	5659550	PUMP UPS 15-60 AO & CONNECTOR							•	•					•	•	•							
72	5661200	PUMP UP 15-50/CONNECTOR	•	•	•	•	•	•	•			•	•	•				•	•					
73	607290	AUTOMATIC AIR VENT	•	•	•	•	•	•	•	•	•	•	•	•	•	•	•	•	•	•	•			
74	5406360	O-RING 14X1,78 EP	•	•	•	•	•	•	•	•	•	•	•	•	•	•	•	•	•	•	•			
75	5404670	GROMMET - PIPE ASSEMBLY						•	•	•	•	•	•	•	•	•	•	•	•	•				
76	5655780	DHW PLATE EXCHANG. 16 PLATES													•	•						B649		
76	5686670	DHW PLATE EXCHANGER 12 PLATES			•	•	•					•	•	•										
76	5686680	DHW PLATE EXCHANGER 14 PLATE															•							
76	5686680	DHW PLATE EXCHANGER 14 PLATE													•	•							B730	YES
76	5686690	DHW PLATE EXCHANGER 16 PLATES													•	•						B729	B650	YES
76	711612800	DHW PLATE EXCHANGER 12 PLATES																•	•					
76	711613000	DHW PLATE EXCHANGER 14 PLATES																		•				
77	5404520	DHW PLATE EXCHANGER GASKET			•	•	•					•	•	•	•	•	•							
77	711613500	DHW PLATE EXCHANGER OR																•	•	•				
80	5655650	HYDRAULIC INLET ASSY	•	•				•	•	•	•													
80	5680920	GROUP -15.0553-			•	•						•	•		•	•								
80	5693860	HYDR.INLET GR.WITH BYPASS					•							•			•							
80	711608300	HYDRAULIC INLET GROUP																•	•	•				
81	620340	FILTER-TRASDUC GROUP -100078-			•	•	•					•	•	•	•	•	•	•	•	•				
87	631680	PUMP CONNECTING ELEMENT/OR	•	•	•	•	•	•	•	•	•	•	•	•	•	•	•						1302	YES
87	5210710	PUMP CONNECTING ELEMENT	•	•	•	•	•	•	•	•	•	•	•	•	•	•	•					1301		
87	711652300	PUMP CONNECTING ELEMENT/OR																•	•	•				
90	611930	FILLING GROUP			•	•	•					•	•	•	•	•	•	•	•	•				

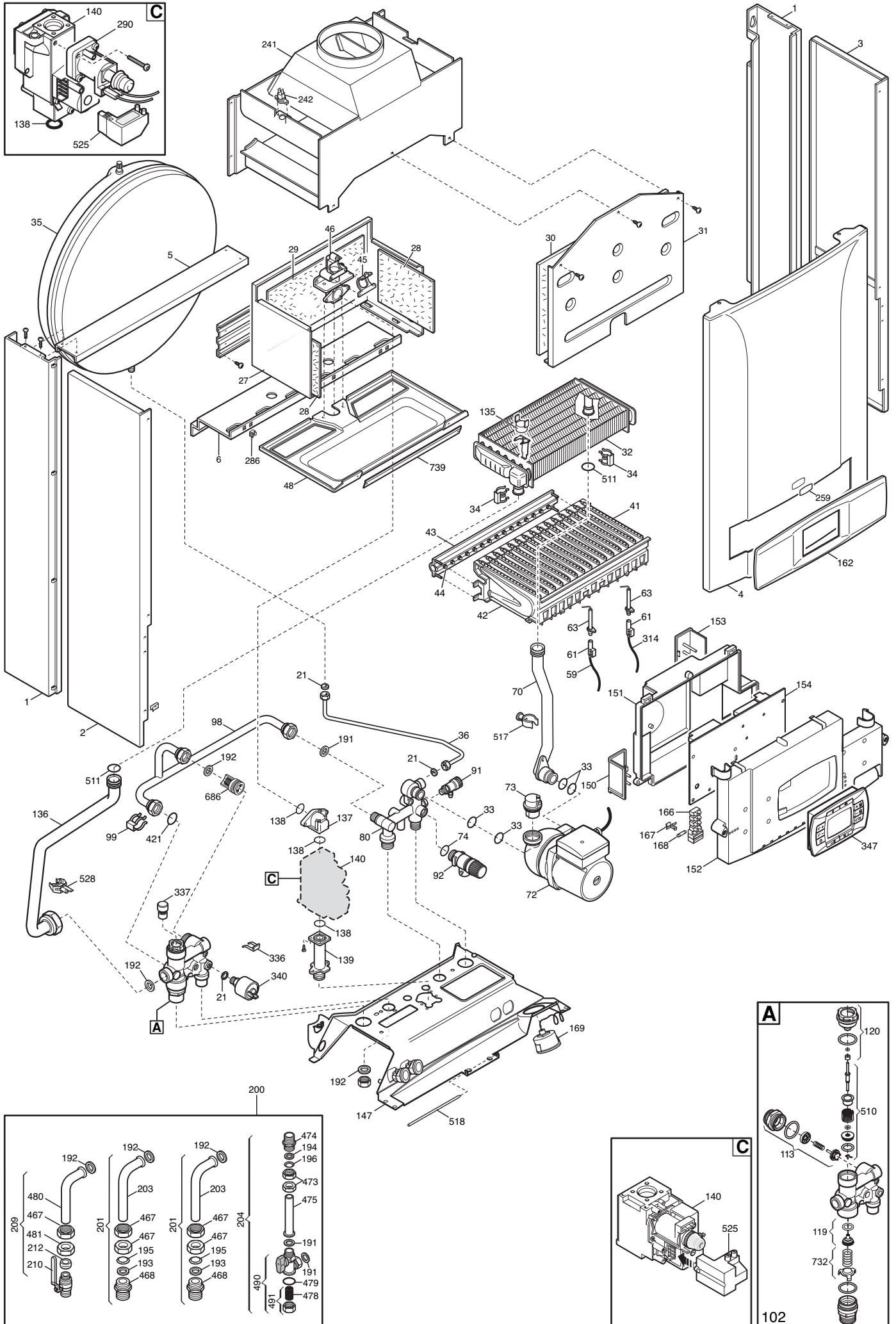
Tab 94



Tab 95



Tab 231



Tab 232

