

BAXI

SAG 3

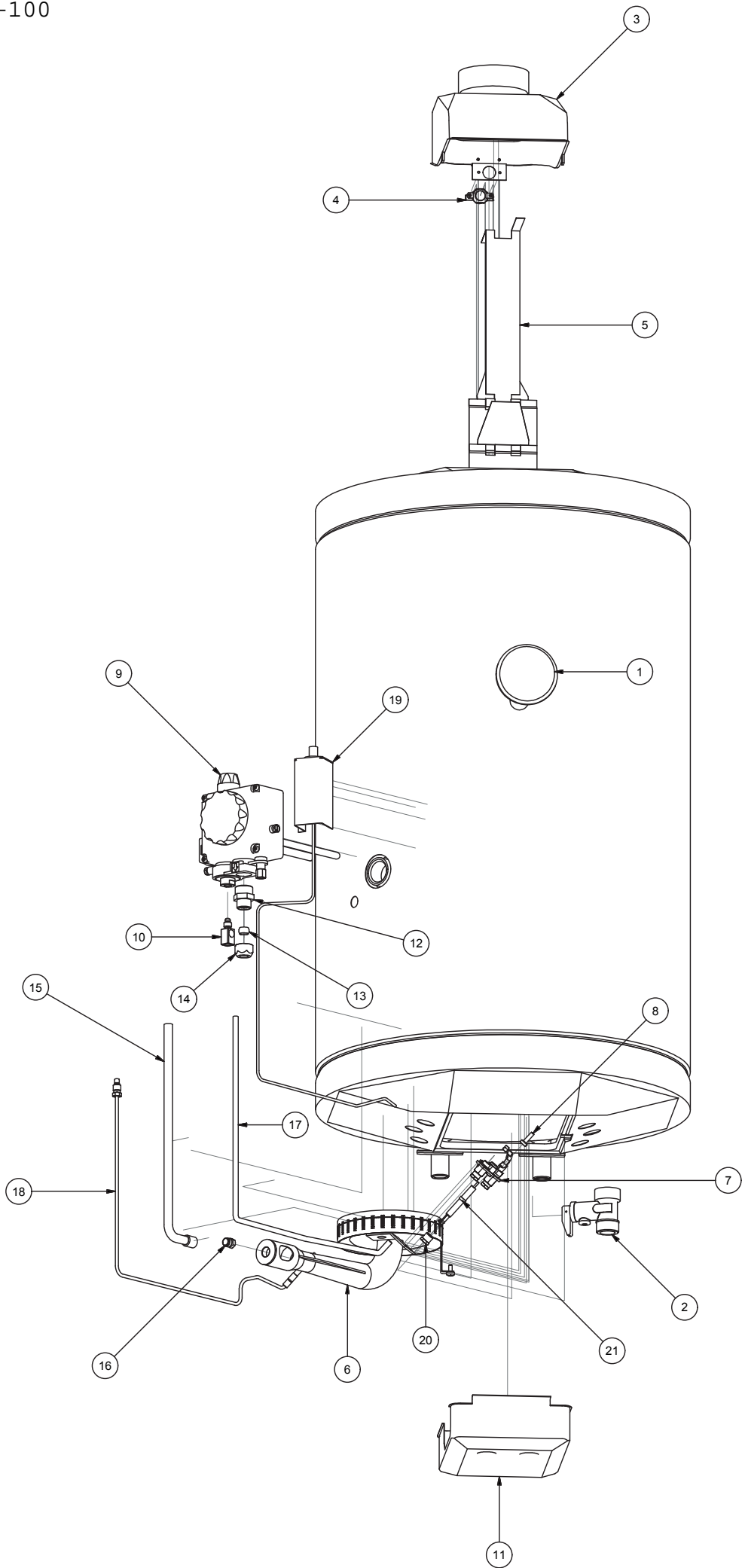
GAS WATER HEATERS

SPARE PARTS CATALOGUE

September 2015

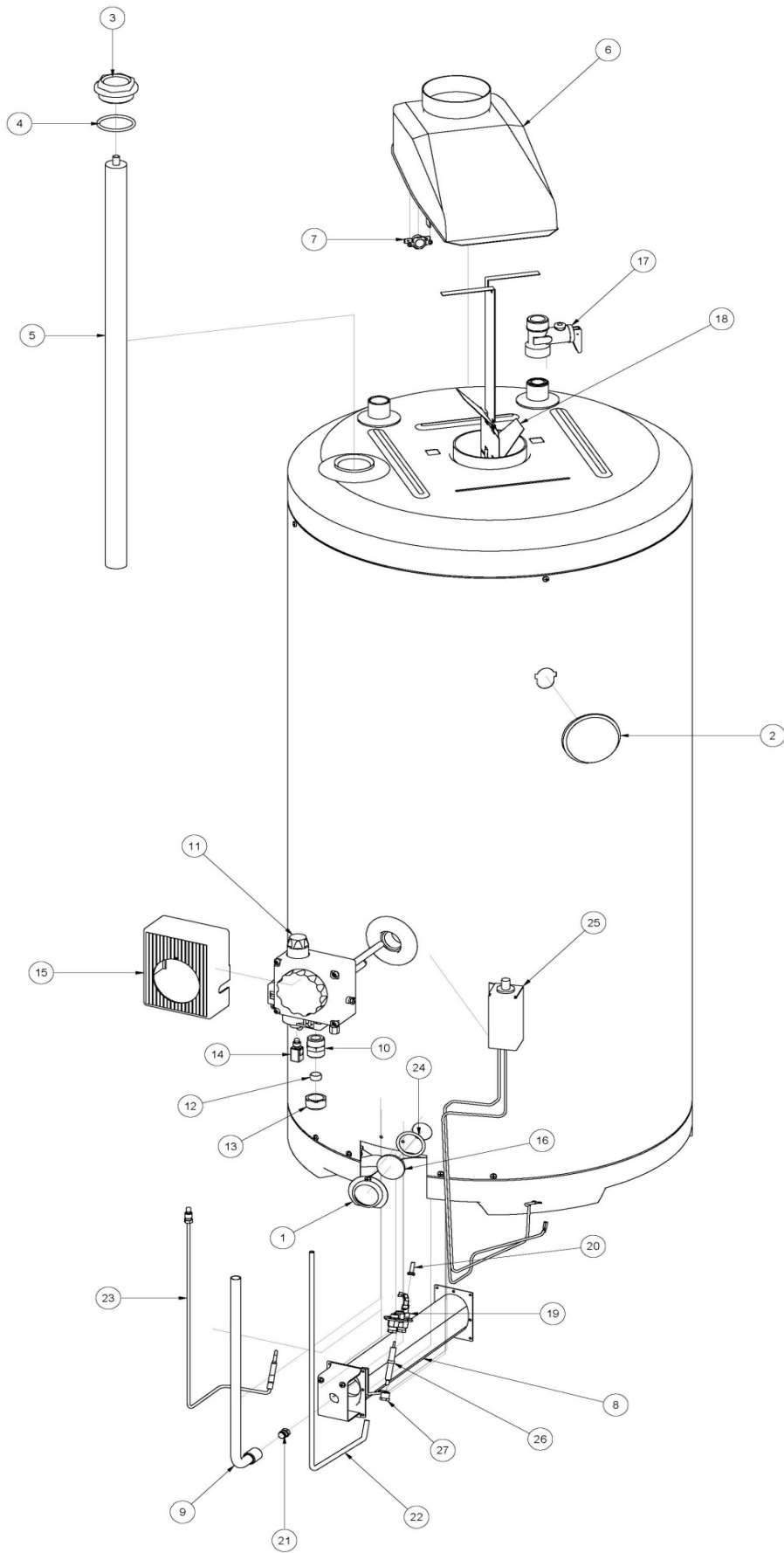
SAG3 50-80-100

POS.	CODE	DESCRIPTION	SAG3 50 711671701-2-3	SAG3 80 711671801-2-3	SAG3 100 711671901-2-3
1	721392500	THERMOMETER	•	•	•
2	721392900	SAFETY VALVE ½" M/F 8 BAR	•	•	•
3	721393000	DRAFT HOOD WITH SMOKE SENSOR	•	•	•
4	721393200	THERMOSTAT SMOKE SENSOR	•	•	•
5	721393400	DEFLECTOR FOR BGM/5Q	•		
5	721393500	DEFLECTOR FOR BGM/8Q		•	
5	721393600	DEFLECTOR FOR BGM/10Q			•
6	721393700	BURNER AC 136	•	•	•
7	721393800	PILOT TARGET	•	•	•
8	721393900	INJECTOR TARGET METAN 0977132	•	•	•
8	721394000	INJECTOR TARGET LPG 0977092	•	•	•
9	721394100	GAS VALVE AC/3	•	•	•
10	721394200	SWITCH FOR THERMOCOUPLE	•	•	•
11	721399100	COVER OF BURNER	•	•	•
12	721394400	DOUBLE SEAT-VALVE	•	•	•
13	721394600	DUAL CONIC FOR TUBE Ø10	•	•	•
14	721394700	NUT FOR DUAL CONIC	•	•	•
15	721394800	TUBE GAS-VALVE BURNER FOR SAG3 50-100	•		•
15	721394900	TUBE GAS-VALVE BURNER FOR SAG3 80		•	
16	721395000	INJECTOR S16 Ø1,85 METAN	•		
16	721395100	INJECTOR S16 Ø2,00 METAN		•	•
16	721395200	INJECTOR S16 Ø1,05 LPG	•		
16	721395300	INJECTOR S16 Ø1,10 LPG		•	•
17	721395400	TUBE GAS-PILOT FOR SAG3 50-100	•		•
17	721399200	TUBE GAS-PILOT FOR SAG3 80		•	
18	721395500	THERMOCOUPLE	•	•	•
19	721397500	IGNITOR PIEZOELETTRIC	•	•	•
20	721397700	FIXING CONNECT. FOR ELECTRODE	•	•	•
21	721397600	ELECTRODE FOR IGNITION	•	•	•



SAG3 115T-150T-190T					
POS.	CODE	DESCRIPTION	SAG3 115T 711672001-2	SAG3 150T 711672101-2	SAG3 190T 711672201-2
1	721395600	GLASS COVER	•	•	•
2	721392500	THERMOMETER	•	•	•
3	721395700	PLUG 1"1/4 D53 8MA ZINC.	•	•	•
4	721395800	RED TRIMMING	•	•	•
5	721395900	MAGNESIUM ANODE D 26X600 M8	•	•	•
6	721393000	DRAFT HOOD WITH SMOKE SENSOR	•	•	•
7	721393200	THERMOSTAT SMOKE SENSOR	•	•	•
8	721396100	BURNER WITH BRACKET	•	•	•
9	721396200	TUBE GAS VALVE-BURNER	•	•	•
10	721396300	DOUBLE SCREW	•	•	•
11	721394100	GAS VALVE AC/3	•	•	•
12	721396400	DUAL CONIC FOR TUBE Ø12	•	•	•
13	721396500	NUT FOR DUAL CONIC	•	•	•
14	721394200	SWITCH FOR THERMOCOUPLE	•	•	•
15	721394300	PLASTIC COVER FOR GAS VALVE AC/3	•	•	•
16	721396600	GLASS DISK PYREX XØ35	•	•	•
17	721396700	SAFETY VALVE 3/4" M/F 6 BAR	•	•	•
18	721396800	DEFLECTOR FOR SAG3 115T	•		
18	721396900	DEFLECTOR FOR SAG3 150T		•	
18	721397000	DEFLECTOR FOR SAG3 190T			•
19	721393800	PILOT TARGET	•	•	•
20	721393900	INJECTOR TARGET METAN 0977132	•	•	•
20	721394000	INJECTOR TARGET LPG 0977092	•	•	•
21	721397100	INJECTOR S16 Ø2,50 METAN	•	•	•
21	721397200	INJECTOR S16 Ø1,40 GPL	•	•	•
22	721397300	TUBE VALVE-PILOT	•	•	•
23	721395500	THERMOCOUPLE	•	•	•
24	721397400	RED TRIMMING 29,75X3,53	•	•	•
25	721397500	IGNITOR PIEZOELETTRIC	•	•	•
26	721397600	ELECTRODE FOR IGNITION	•	•	•
27	721397700	FIXING CONNECTION FOR ELECTRODE INJECTION	•	•	•

SAG3 115T-150T-190T



SAG3 300T			
POS.	CODE	DESCRIPTION	SAG3 300T 711672301-2
1	721397800	MAGNESIUM ANODE Ø26X1000	•
2	721395700	PLUG 1"1/4 D53 8MA ZINC.	•
3	721395800	RED TRIMMING	•
4	721397900	DRAFT HOOD WITH SMOKE SENSOR	•
5	721398000	THERMOSTAT 2455R 90° C HORIZ.	•
6	721398100	THERMOMETER	•
7	721398200	BURNER WITH BRACKET	•
8	721398300	BURNER COVER METAN	•
8	721398400	BURNER COVER GPL	•
9	721398500	TUBE VALVE-BURNER	•
10	721398600	NUT	•
11	721393800	PILOT TARGET	•
12	721393900	INJECTOR TARGET METAN 0977132	•
12	721394000	INJECTOR TARGET LPG 0977092	•
13	721397700	FIXING CONNECTION FOR ELECTRODE INJECT	•
14	721397600	ELECTRODE FOR IGNITION	•
15	721398700	INJECTOR S16 Ø4,20 METANO	•
15	721398800	INJECTOR S16 Ø2,30 GPL	•
16	721398900	TUBE VALVE-PILOT	•
17	721395500	THERMOCOUPLE	•
18	721397500	IGNITOR PIEZOELETTRIC	•
19	721394100	GAS VALVE AC/3	•
20	721396300	DOUBLE SCREW	•
21	721396400	DUAL CONIC FOR TUBE Ø12	•
22	721396500	NUT FOR DUAL CONIC	•
23	721394200	SWITCH FOR THERMOCOUPLE	•
24	721394300	PLASTIC COVER FOR GAS VALVE AC/3	•
25	721399000	SAFETY VALVE 1" F/F 6 BAR	•

SAG3 300T

