

BAXI



DUO-TEC COMPACT + SPARE PARTS CATALOGUE

- April 2016 -

HOW TO READ THE SPARE PARTS CATALOGUE

In the spare part catalogue, after the exploded diagrams, there are the components lists of the boilers; this is the meaning of the different columns:

Pos. Identification number of the component in the exploded diagram of the boiler.

Description Short description of the component.

Code BAXI S.p.A. code of the component.

Tab. XX XX is the exploded diagram number of the boiler taken into consideration.

From serial number Date (year and week) identifying the beginning of production of a component (taken from the serial number of the boiler).
e.g. 1201: year 2012 (1 identifies the decade 2010-2019; 2 identifies the year) – 01th week.
If the box is empty, the component is in use from the beginning of production of the boiler.

To serial number Date (year and week) identifying the end of production of a component (taken from the serial number of the boiler).
e.g. 1225: year 2012 (1 identifies the decade 2010-2019; 2 identifies the year) – 25th week.
If the box is empty, the component is still in use.

Interchangeable It identifies the interchangeability between the new component and the old one.
YES: components are interchangeable.
NO: components are not interchangeable.

TABELLA COLLEGAMENTO CODICE CALDAIA - ESPLOSO TABLEAU CONNECTION CODEX CHAUDIERE - VUE ECLATEE BOILERS CONNECTION BOARD - EXPLODED VIEW

BOILER CODE	BOILER DESCRIPTION	EXPLODED REF.
CODICE CALDAIA	DESCRIZIONE CALDAIA	RIF. ESPLOSO
CODIGO CALDERA	DESCRIPCION CALDERA	REF. EXPLOSIONADO
CODE CHAUDIÈRE	DESCRIPTION CHAUDIÈRE	RÉF. EXPLOSÉE
722017401/2	DUO-TEC COMPACT + 1.24 GA	Tab 563
722017501/2	DUO-TEC COMPACT + 20 GA	Tab 564
722017601/2	DUO-TEC COMPACT + 24 GA	Tab 564
722017701/2	DUO-TEC COMPACT + 28 GA	Tab 564

DUO-TEC COMPACT +

29/04/2016

Pos	Code	Description code	722017401/2	722017501/2	722017601/2	722017701/2	To serial number	From serial number	Interchangeable:
			1-24	20	24	28			
2	710651000	LEFT PANEL ASSEMBLY	•	•	•	•			
3	710650900	RIGHT PANEL ASSEMBLY	•	•	•	•			
4	722024400	FRONTAL PANEL	•	•	•	•			
10	5409020	FLUE ADAPTOR HE	•	•	•	•			
11	5409010	GASKET ADAPTOR	•	•	•	•			
18	710385100	MIXER PL20 C1500106	•	•	•	•			
21	5402050	WASHER-SEALING	•						
22	710692300	FAN NRG118	•	•	•	•			
27	721693100	C FRAME	•						
27	721883500	C FRAME		•	•	•			
29	710283600	COMBUSTION CHAMBER REAR INSUL.	•	•	•	•			
30	5411020	INSULATION PANEL	•	•	•	•			
32	5671940	HEAT EXCHANGER BASIC 4E	•	•	•	•			
33	710963000	OR 21,5X3 EP70 TFL	•	•	•	•			
34	8380860	FIXING CLIP	•	•	•	•			
35	710630400	EXPANSION VESSEL 7 L	•	•	•	•			
36	710039400	EXPANSION VASSEL PIPE		•	•	•			
36	710583600	EXPANSION VASSEL PIPE	•						
41	711566300	BURNER 4E	•	•	•	•			
48	710039800	CONDENSING WATER TRAY 80/60	•	•	•	•			
49	5409280	TAP ADAPTOR	•	•	•	•			
59	710126200	CABLE IGNITION ELECTRODE B&P	•	•	•	•			
63	710220000	ELECTRODE - IGNITION	•	•	•	•			
65	710424200	FLAME SENSOR B&P	•	•	•	•			
70	710608800	PUMP/EXCHANGER PIPE ASSEMBLY	•						
70	711376200	HEAT EXCHANGER/PUMP PIPE		•	•	•			
72	7219214	PUMP WILO YONOS PARA SET	•						
72	722185500	PUMP UMP 15-60 6M WITH CABLE		•	•	•			
73	7219215	AIR VENT PUMP WI.	•	•	•	•			
73	710493600	AIR VENT PUMP GR.	•	•	•	•			
75	5409240	GROMMET - PIPE ASSY D.10		•	•	•			
76	5686670	DHW PLATE EXCHANGER 12 PLATES		•	•				
76	5686680	DHW PLATE EXCHANGER 14 PLATE				•			
77	5404520	DHW PLATE EXCHANGER GASKET		•	•	•			
80	710266700	RETURN/FILLING TAP ASSY SYSTEM	•						
81	710682200	DHW CARTRIDGE 8L		•	•	•			
90	710046600	FILLING TAP ASSY		•	•	•			
91	5652030	DRAINING TAP	•						
91	710045500	DISCHARGE TAP CONNECTION		•	•	•			
92	9951170	SAFETY VALVE 3 BAR	•						
92	710109400	HYDRAULIC SAFETY VALVE 3 BAR		•	•	•			

DUO-TEC COMPACT +

29/04/2016

Pos	Code	Description code	722017401/2 1,24	722017501/2 20	722017601/2 24	722017701/2 28	To serial number	From serial number	Interchangeable:
98	5672770	BY-PASS PIPE ASSEMBLY	•						
98	710046300	BY-PASS CONNECTION ASSY		•	•	•			
99	8380850	FIXING CLIP	•				1537		
102	5683540	3 WAY VALVE/MB GROUP LUNA3	•						
113	617100	BY-PASS GR.	•						
113	710048300	BY-PASS CARTRIDGE		•	•	•			
114	710046400	O-RING d.15,54X2,62		•	•	•			
119	605760	HYDRAULIC VENTURI ASSEMBLY	•						
120	600750	SPACER ASSEMBLY	•						
120	721403800	3WV CARTRIDGE		•	•	•			
122	710047800	O-RING d.23,47X2,62		•	•	•			
128	710048800	O-RING d.8,9X1,9		•	•	•			
131	721309400	NTC SENSOR NICKEL		•	•	•			
132	710049100	O-RING d.11,91X2,62 OR115		•	•	•			
134	710192500	INJECTOR B&P 4,4mm	•	•	•				
134	710458300	INJECTOR B&P D.4,6mm				•			
135	9950760	THERMOSTAT - LIMIT	•	•	•	•			
136	710609000	FLOW PIPE	•						
136	711376100	FLOW PIPE		•	•	•			
139	710061300	FLEXIBLE GAS PIPE	•	•	•	•			
140	710089600	GAS VALVE B&P SGV100	•	•	•	•			
151	710566100	CONTROL PANEL COVER	•	•	•	•			
152	710650400	PANEL PLATE/DISPLAY ASSEMBLY	•	•	•	•			
154	722233100	PCB B&P HAGC03 BX01	•	•	•	•			
159	710569200	HINGE	•	•	•	•			
166	5688430	TERM.BOARD/DOUBLE FUSE HOLDER	•	•	•	•			
167	5405340	FUSE HOLDER	•	•	•	•			
168	9950580	FUSE	•	•	•	•			
169	710584000	MANOMETER D.28	•						
169	710673600	MANOMETER D.28		•	•	•			
174	710126300	7 PUSH BUTTON PANEL B&P	•	•	•	•			
192	5404650	SEALING WASHER G 3/4	•						
242	8435270	NTC SENSOR	•	•	•	•			
336	8380680	CLIP-RETAINING	•						
336	710047400	CLIP - 3WV MOTOR HEAD		•	•	•			
337	5694580	3 WAY VALVE MOTOR	•						
337	710047300	3WV MOTOR HEAD		•	•	•			
340	9951690	PRESSURE SWITCH	•					1538	YES
340	721384000	ON/OFF CH PRESSURE SWITCH		•	•	•			
340	721384000	ON/OFF CH PRESSURE SWITCH	•				1537		
363	710045300	O-RING d.17,96X2,62		•	•	•			
373	710047100	CH FILTER		•	•	•			

DUO-TEC COMPACT +

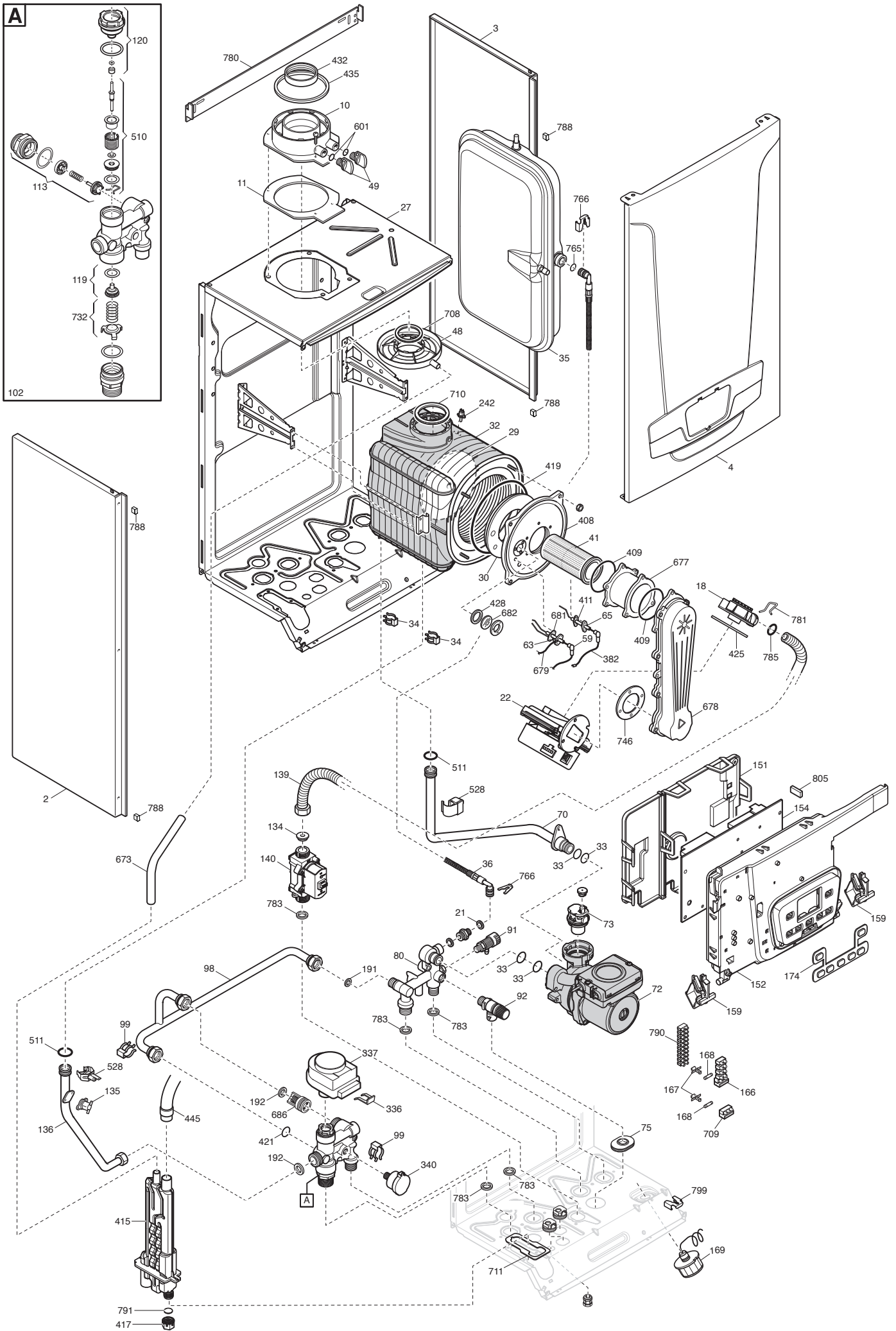
29/04/2016

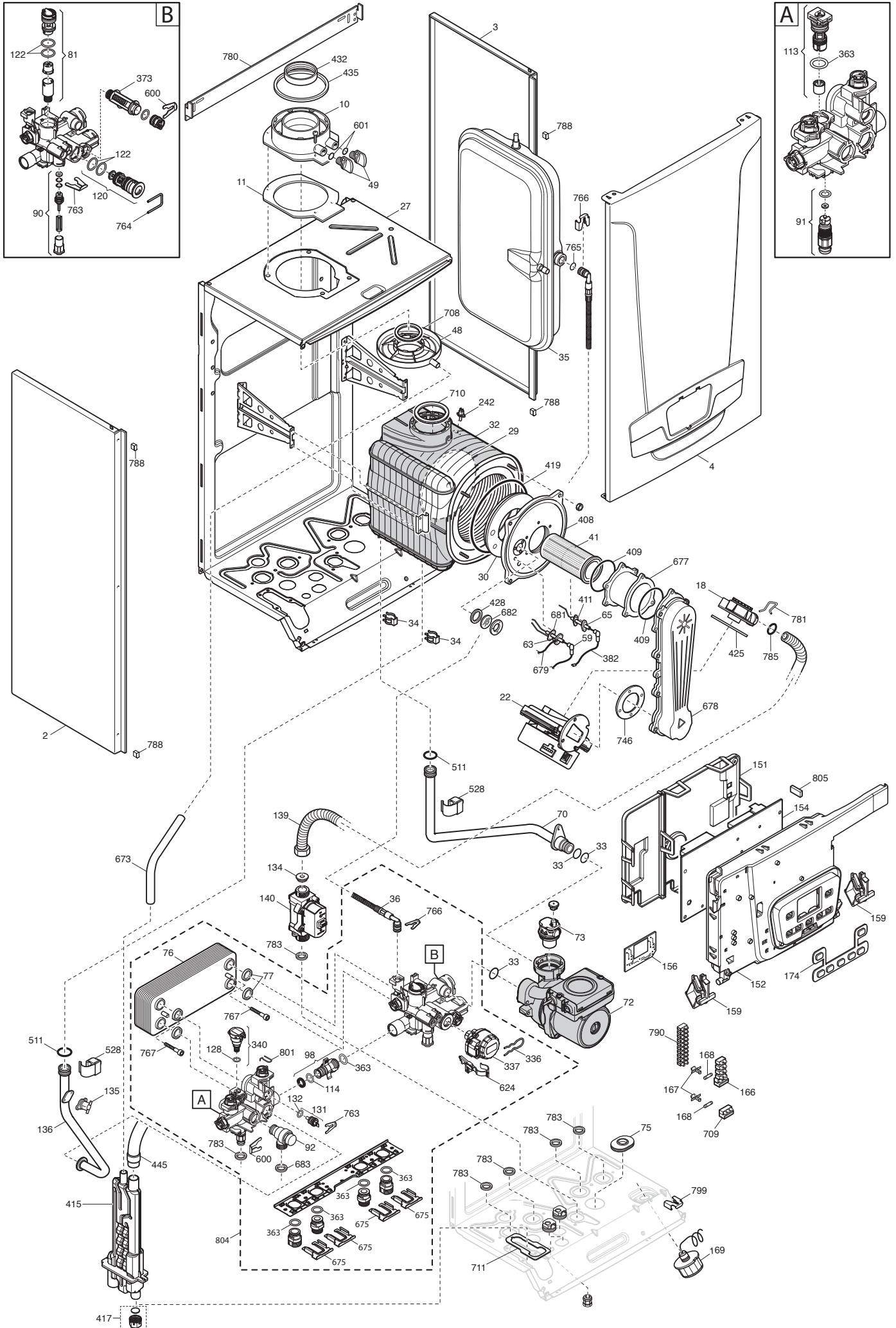
Pos	Code	Description code	722017401/2 1,24	722017501/2 20	722017601/2 24	722017701/2 28	To serial number	From serial number	Interchangeable:
382	710127500	CABLE DETECTION ELECTRODE	•	•	•	•			
408	711571000	COMB.CHAMBER UPPER COVER	•	•	•	•			
409	721543100	BURNER GASKET ASS.	•	•	•	•			
411	710185200	FLAME SENSING ELEC.GASKET	•	•	•	•			
415	721679000	SIPHON BODY H170	•	•	•	•	1609		
415	765806200	SIPHON BODY H170	•	•	•	•		1610	YES
417	721679200	PLUG SIPHON	•	•	•	•	1612		
419	5411000	COMB.CHAMBER GASKET	•	•	•	•			
421	5408270	O-RING 11,91 X 2,62 NBR	•						
425	710042400	VENTURI GASKET	•	•	•	•			
428	5409290	GASKET	•	•	•	•			
432	5410420	WASHER DIA 60 OUTLET BEND	•	•	•	•			
435	5407550	WASHER DIA100 OUTER ADAPT SEAL	•	•	•	•			
445	721693700	PIPE EXCH/SYPHON	•	•	•	•			
510	600760	DHW PADDLE ASSEMBLY	•						
511	5404600	O.R. 17,86x2,62	•	•	•	•			
528	710439300	SENSOR TODS	•	•	•	•			
600	710045400	CLIP FLAT d.18		•	•	•			
601	5408560	O-RING 8,73x1,78	•	•	•	•			
624	710976600	HALL SENSOR ASSY		•	•	•			
673	721693800	CONDENSY PIPE/SIPHON	•	•	•	•			
675	710046100	CLIP BRASS ADAPTOR		•	•	•			
677	5212930	EXTENSION	•	•	•	•			
678	710051400	AIR-GAS CONVEYOR ASS.LUNA4	•	•	•	•			
679	710127100	CABLE GROUND FOR ELECTRODE	•	•	•	•			
681	710185300	IGNITION ELECTRODE GASKET	•	•	•	•			
682	5211800	SIGHT GLASS	•	•	•	•			
683	5408810	GASKET GAS RAMP	•	•	•	•			
686	5663020	BY-PASS PLUG ASSEMBLY	•						
708	5410970	GASKET WITH DOUBLE LIP	•	•	•	•			
709	8423160	TERMINAL BLOCK	•	•	•	•			
710	5411030	GASKET	•	•	•	•			
711	721696400	JOINT SIPHON	•	•	•	•			
732	620210	SPRING ASS.	•						
746	5410900	VENTURI GASKET	•	•	•	•			
763	710046700	CLIP FLAT d.12		•	•	•			
764	710047500	CLIP U d.3		•	•	•			
765	710045700	O-RING d.9,19 X 2,62	•	•	•	•			
766	710106700	FLAT SPRING diameter 10	•	•	•	•			
767	710046900	PTP EXCH FIXING SCREW		•	•	•			
780	710633100	UPPER SUPPORT	•	•	•	•			
781	710011400	CLIP FIX GAS PIPE	•	•	•	•			

DUO-TEC COMPACT +

29/04/2016

Pos	Code	Description code					To serial number	From serial number	Interchangeable:
			722017401/2 1,24	722017501/2 20	722017601/2 24	722017701/2 28			
783	710039500	HYDRAULIC GROUP GASKET		•	•	•			
785	710061400	O RING GAS PIPE 18 X 3 NBR	•	•	•	•			
788	710176000	COMBUSTION CHAMBER GASKET C	•	•	•	•			
790	710117900	TERMINAL BLOCK 10 PIN PA35	•	•	•	•			
791	721695300	SIPHON CAP GASKET	•	•	•	•	1612		
799	710654100	SPRING FIXING D.9	•	•	•	•			
801	710048700	CLIP CH PRESSURE SWITCH	•	•	•	•			
804	711231000	HYDRAULIC GROUP BITRON ECO5		•	•				
804	722033400	HYDRAULIC GROUP COMBI 28Kw				•			
805	710731500	CONFIGURATION KEY DUOTEC	•	•	•	•			
999	8414540	CABLE ROOM TH	•	•	•	•			
999	8414620	POWER CABLE	•	•	•	•			
999	710071700	CABLE NTC FLUE	•	•	•	•			
999	710126800	CABLE SAFETY THERMOSTAT	•	•	•	•			
999	710285900	CABLE NTC TANK/EXTERNAL SENSOR	•						
999	710512100	WIRING HARNESS GAS VALVE B&P	•	•	•	•			
999	710651100	CABLE REMOTE CONTROL	•	•	•	•			
999	710651300	PCB POWER CABLE	•	•	•	•			
999	710651400	CABLE EXTERNAL SENSOR/BOILER SEN		•	•	•			
999	710651500	WIRING PCB INPUT	•	•	•	•			
999	711161900	FAN/PUMP WIRING WI.		•	•	•			
999	721313400	3 WAY VALVE WIRING	•						
999	721313500	CABLE FAN	•						
999	721835500	PWM FAN/PUMP WIRING	•	•	•	•			
999	721885100	3 WAY VALVE WIRING		•	•	•			
999	721925300	FAN/PUMP WIRING GR.		•	•	•			
999	721925700	FAN/PUMP WIRING GR.	•						
999	722024200	LOW VOLTAGE WIRING ONLY HEAT.	•						
999	722024300	LOW VOLTAGE WIRING COMBI		•	•	•			





BAXI

BAXI S.p.A.
Via Trozzetti, 20
36061 BASSANO DEL GRAPPA (VI)
ITALY
Tel. +390424517111
Telefax +390424517379
E-mail. service@baxi.it