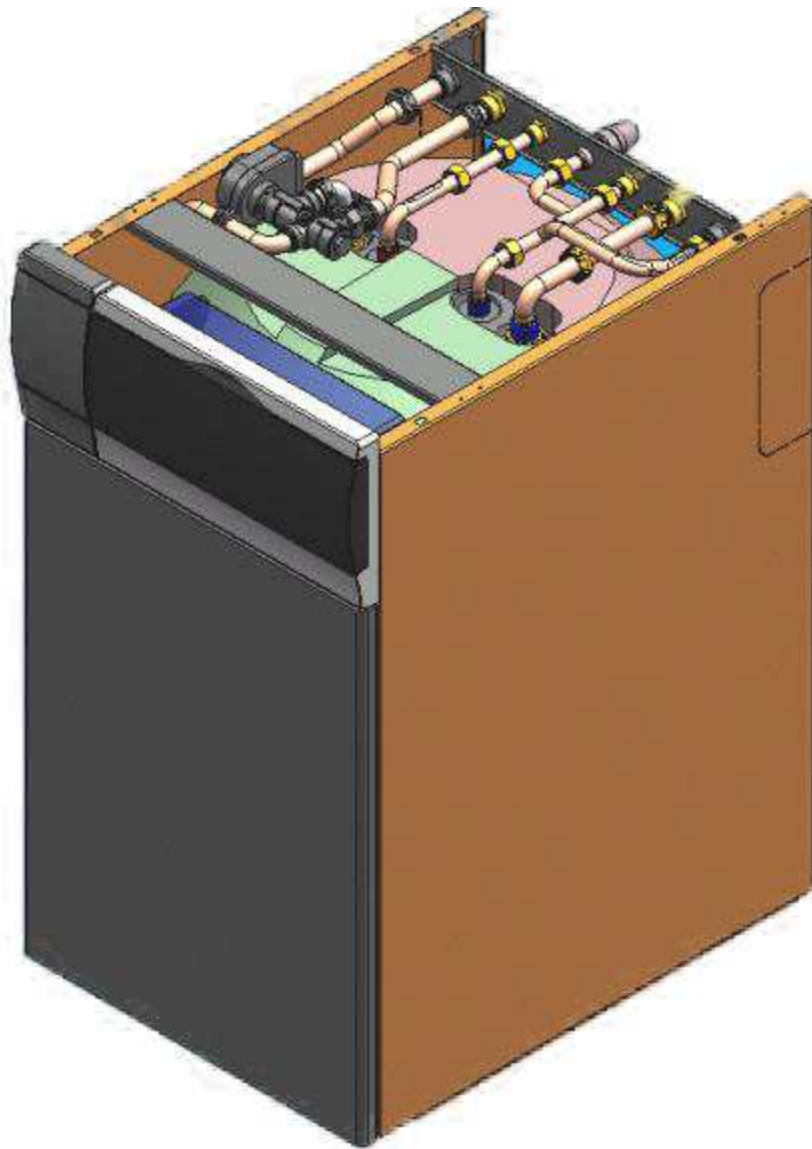


BAXI



UB inox

SPARE PARTS CATALOGUE

- May 2016 -

HOW TO READ THE SPARE PARTS CATALOGUE

In the spare part catalogue, after the exploded diagrams, there are the components lists of the boilers; this is the meaning of the different columns:

Pos. Identification number of the component in the exploded diagram of the boiler.

Description Short description of the component.

Code BAXI S.p.A. code of the component.

Tab. XX XX is the exploded diagram number of the boiler taken into consideration.

Until 31th December 2011

From serial number Date (year and week) identifying the beginning of production of a component (taken from the serial number of the boiler).

e.g. B005: year 2000 (B identifies the decade 2000-2009; 0 identifies the year) – 5th week.

If the box is empty, the component is in use from the beginning of production of the boiler.

To serial number Date (year and week) identifying the end of production of a component (taken from the serial number of the boiler).

e.g. B012: year 2000 (B identifies the decade 2000-2009; 0 identifies the year) – 12th week.

If the box is empty, the component is still in use.

Interchangeable It identifies the interchangeability between the new component and the old one.

YES: components are interchangeable.

NO: components are not interchangeable.

From 1st January 2012

From serial number Date (year and week) identifying the beginning of production of a component (taken from the serial number of the boiler).

e.g. 1201: year 2012 (1 identifies the decade 2010-2019; 2 identifies the year) – 01th week.

If the box is empty, the component is in use from the beginning of production of the boiler.

To serial number Date (year and week) identifying the end of production of a component (taken from the serial number of the boiler).

e.g. 1225: year 2012 (1 identifies the decade 2010-2019; 2 identifies the year) – 25th week.

If the box is empty, the component is still in use.

Interchangeable It identifies the interchangeability between the new component and the old one.

YES: components are interchangeable.

NO: components are not interchangeable.

TABELLA COLLEGAMENTO CODICE CALDAIA - ESPLOSO TABLEAU CONNECTION CODEX CHAUDIERE - VUE ECLATEE BOILERS CONNECTION BOARD - EXPLODED VIEW

BOILER CODE	BOILER DESCRIPTION	EXPLODED REF.
CODICE CALDAIA	DESCRIZIONE CALDAIA	RIF. ESPLOSO
CODIGO CALDERA	DESCRIPCION CALDERA	REF. EXPLOSIONADO
CODE CHAUDIÈRE	DESCRIPTION CHAUDIÈRE	RÉF. EXPLOSÉE
KSG714084514/5/6/7	UB 120 INOX	Tab 367
KSG714084513	UB 120 INOX	Tab 367
KSG714084510/1/2	UB 120 INOX	Tab 259
KSG714084414/5/6/7	UB 80 INOX	Tab 367
KSG714084413	UB 80 INOX	Tab 367
KSG714084410/1/2	UB 80 INOX	Tab 259

UB inox

05/05/2016

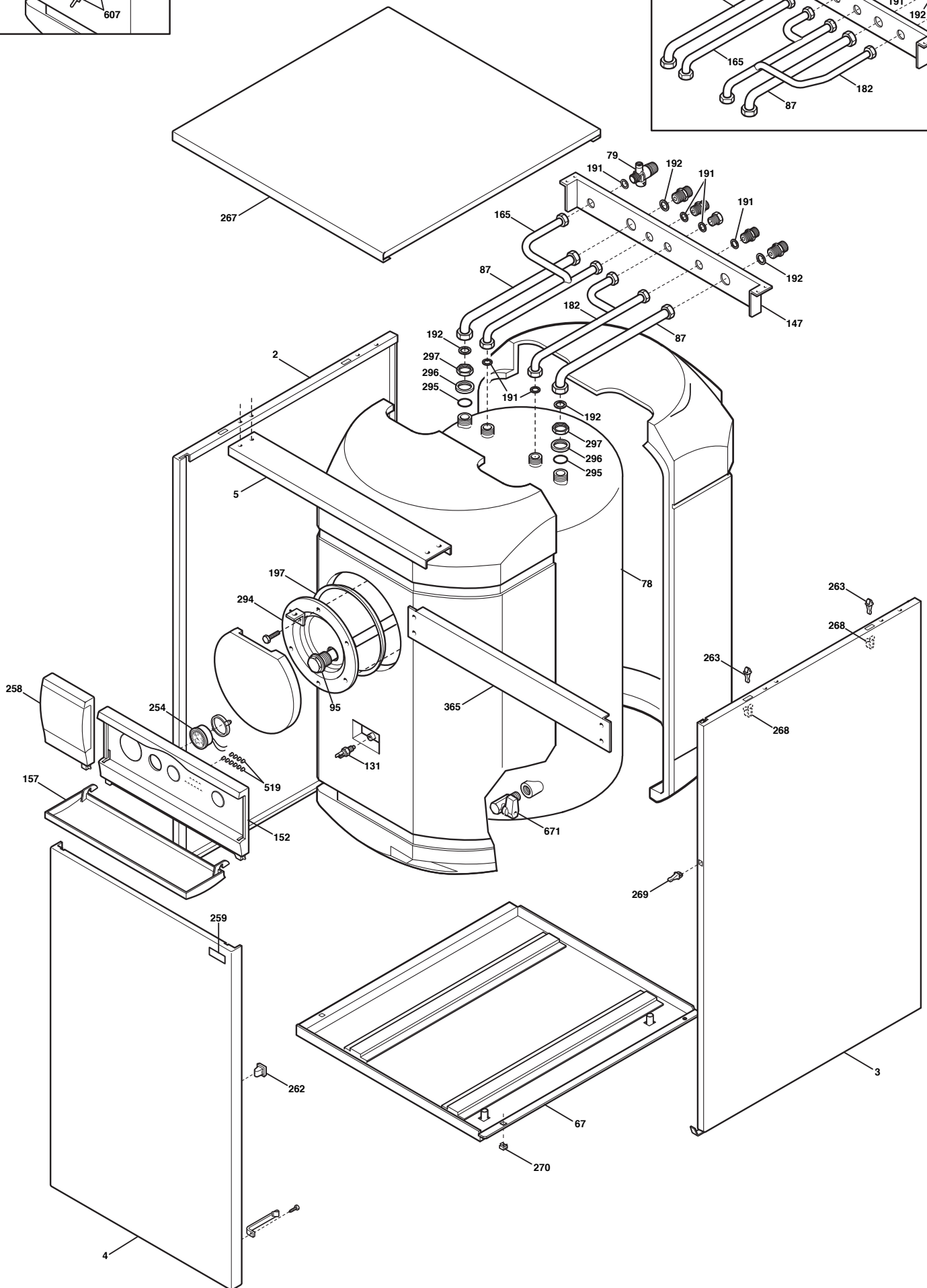
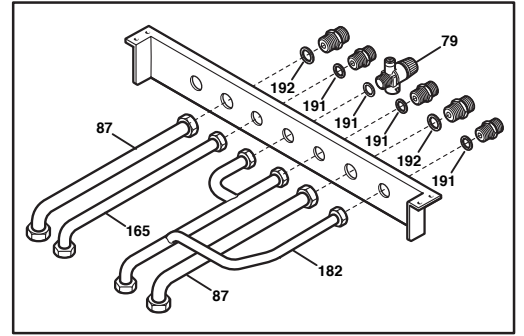
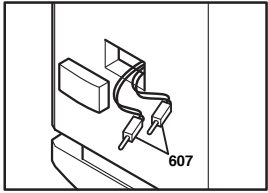
Pos	Code	Description code	Material Specifications						To serial number	From serial number	Interchangeable:
			KSG714084410/1/2 80 INOX	KSG714084413 80 INOX	KSG714084414/5/6/7 80 INOX	KSG714084510/1/2 120 INOX	KSG714084513 120 INOX	KSG714084514/5/6/7 120 INOX			
2	615580	LEFT PANEL UB INOX	•	•		•	•				
2	628070	LEFT PANEL UB INOX WHITE			•		•				
3	615570	RIGHT PANEL UB INOX	•	•		•	•				
3	628060	RIGHT PANEL UB INOX WHITE			•		•				
4	615600	DOOR UB450 INOX RAL W9003	•	•							
4	615630	FRONTAL PANEL UB600 INOX				•	•				
4	628080	DOOR UB450 INOX WHITE			•						
4	628090	DOOR UB600 INOX WHITE					•				
5	3105790	REAR TRAVERSE UB 120				•	•	•			
5	5110290	BRACKET-UPPER SUPPORT	•	•	•						
67	3619910	BOILER BASIN ASSEMBLY	•	•	•						
67	3619920	LOW PLATE ASSEMBLY UB 120 INOX				•	•	•			
78	615560	STORAGE TANK ASSEMBLY WITH INS	•						B346		
78	615610	TANK WITH INSULATION 120L INOX				•			B342		
78	616330	BOILER GROUP INS. 80 INOX	•							B347	NO
78	616400	ISOLATED TANK ASSEMB. 120 INOX				•				B343	NO
78	626960	ISOLATED BOILER INOX 80 L		•	•				1236		
78	627130	ISOLATED BOILER INOX 120 L					•	•	C127		
78	711109100	ISOLATED BOILER INOX 80 L		•						1237	YES
78	711109300	ISOLATED TANK ASS.120L INOX/TP					•	•		C128	YES
79	9950620	HYDRAULIC SAFETY VALVE 8 BAR	•	•	•	•	•	•			
87	3619990	PIPE COIL ASSEMBLY	•	•	•	•	•	•			
95	3619980	CAP/ANODE ASSEMBLY L=365	•			•			B907		
95	3627180	CAP/ANODE ASSEMBLY FOR MODULO		•	•		•	•			
95	3627180	CAP/ANODE ASSEMBLY FOR MODULO								B908	YES
131	8434820	TEMPERATURE SENSOR	•							B347	
131	8434820	TEMPERATURE SENSOR		•	•		•	•			
131	8434820	TEMPERATURE SENSOR				•				B343	
131	8434840	NTC SENSOR				•			B615	B343	NO
131	8434840	NTC SENSOR	•						B615	B347	NO
131	8435400	NTC SENSOR		•	•		•	•			
131	8435400	NTC SENSOR	•			•				B616	YES
147	3109680	TRAVERSE UB 80 INOX	•	•	•						
147	3109690	TRAVERSE UB 120 INOX				•	•	•			
152	3620020	PRINT CONTR PAN UB80/120 INOX	•	•	•	•					
152	3628460	PRINTED CONTROL PANEL UB INOX					•	•			
157	3401620	CONTROL PANEL DOOR	•	•	•	•	•	•			
165	3620000	SANITARY OUTLET PIPE	•			•					
165	3620790	DHW PIPE ASSEMBLY		•	•		•	•			
182	3620010	PIPE ASSEMBLY DHW	•			•					
182	3620800	RICIRCLE PIPE ASSEMBLY		•	•		•	•			

UB inox

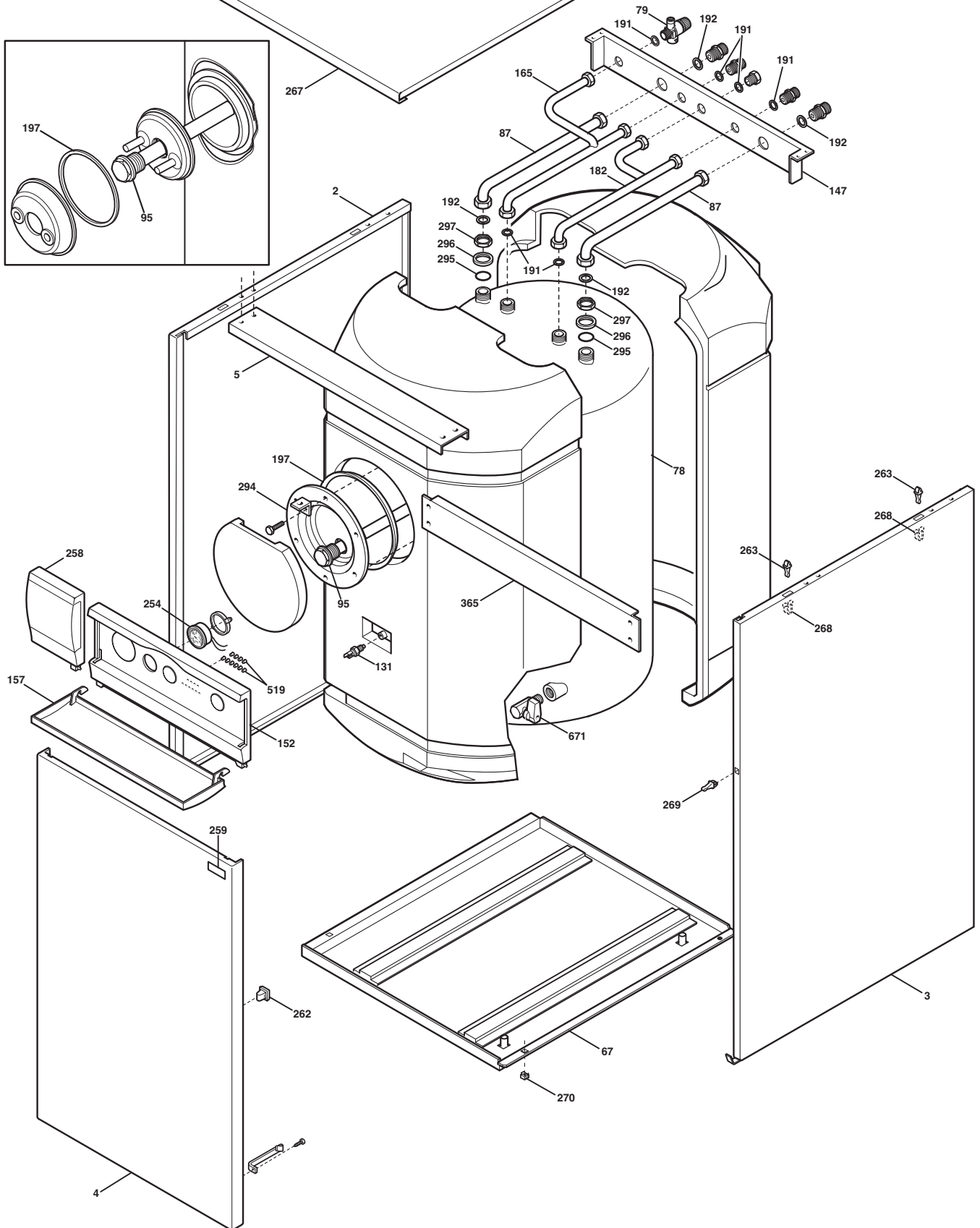
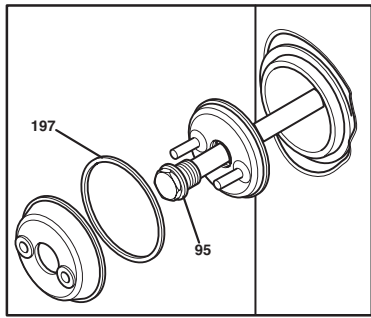
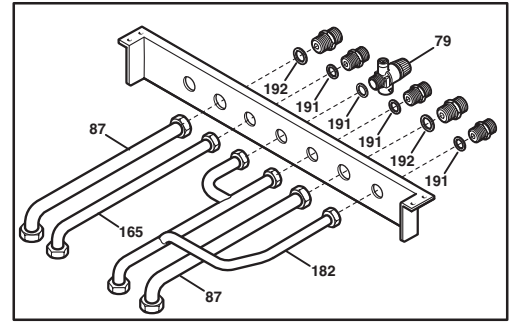
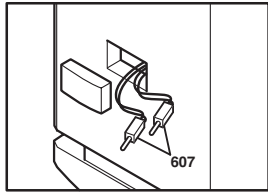
05/05/2016

Pos	Code	Description code	KSG714084510/1/2						KSG714084513	KSG714084514/5/6/7	KSG714084515	KSG714084516	KSG714084517	To serial number	From serial number	Interchangeable:
			80 INOX	80 INOX	80 INOX	80 INOX	120 INOX	120 INOX								
191	5408970	WASHER - SEALING G1/2	•	•	•	•	•	•								
192	5404650	SEALING WASHER G 3/4	•	•	•	•	•	•								
197	3401860	GASKET FLANGE UB 80/120 INOX	•			•										
197	5412820	ORING 85,09X5,34 EPDM		•	•			•	•							
254	8922410	THERMOMETER T&G 0-120°	•	•	•	•	•	•	•			1218				
254	8922500	THERMOMETER 0°-120°	•	•	•	•	•	•	•				1219	YES		
258	3401630	CONTROL PANEL EXTENSION	•	•	•											
258	3401640	CONTROL PANEL EXTENSION				•	•	•								
259	5657100	BAXI BRAND	•	•	•	•	•	•	•							
262	3400400	CLIP - DOOR PANEL - FEMALE	•	•	•	•	•	•	•							
263	3400390	CLIP - TOP PANEL - MALE	•	•	•	•	•	•	•							
267	3109760	COVER UB450 INOX RAL W9003	•	•												
267	3109770	COVER UB 600 INOX				•	•									
267	3112320	COVER UB450 INOX WHITE			•			•								
268	3400380	CLIP - SIDE PANELS - FEMALE	•	•	•	•	•	•	•							
269	3400410	CLIP - SIDE PANELS - MALE	•	•	•	•	•	•	•			B902				
269	3402700	CLIP - SIDE PANELS - MALE	•	•	•	•	•	•	•				B903	YES		
270	8240560	NUT M4	•	•	•	•	•	•	•							
294	3619970	FLANGE/ANODE ASSEMBLY	•			•	•	•								
295	5406870	O-RING	•	•	•	•	•	•	•							
296	5209650	HOUSING O RING	•	•	•	•	•	•	•							
297	5209970	LOCKNUT - G3/4	•	•	•	•	•	•	•							
365	3109720	TRAVERSE UB80 INOX	•	•	•											
365	3109730	TRAVERSE PAN/TANK UB120 INO				•	•	•								
519	5407780	LENS - NEON	•	•	•	•	•	•	•							
607	8434670	SANITARY NTC SENSOR				•						B342				
607	8434670	SANITARY NTC SENSOR	•									B346				
607	8434930	CONTACT SENSOR				•						B342				
607	8434930	CONTACT SENSOR	•									B346				
671	5646780	DRAINING TAP G 1/2 (COPPER)	•	•	•	•	•	•	•							
999	8611920	CABLE BOILER SENSOR				•						B342				
999	8611920	CABLE BOILER SENSOR	•									B346				
999	8611980	CABLE BOILER SENSOR	•										B347			
999	8611980	CABLE BOILER SENSOR		•	•		•	•								
999	8611980	CABLE BOILER SENSOR				•							B343			

Tab 259



Tab 367



BAXI

BAXI S.p.A.
Via Trozzetti, 20
36061 BASSANO DEL GRAPPA (VI)
ITALY
Tel. +390424517111
Telefax +390424517379
E-mail. service@baxi.it