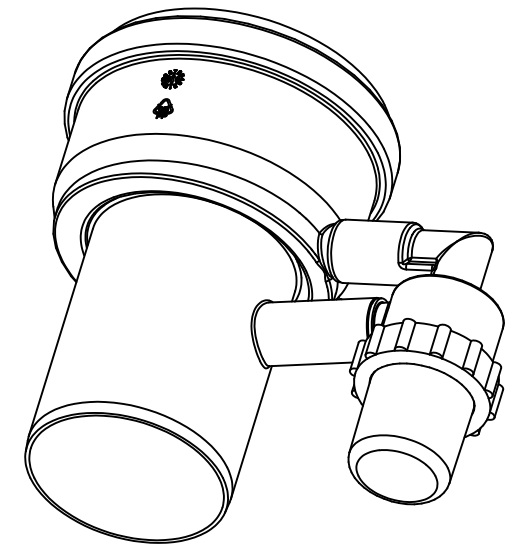
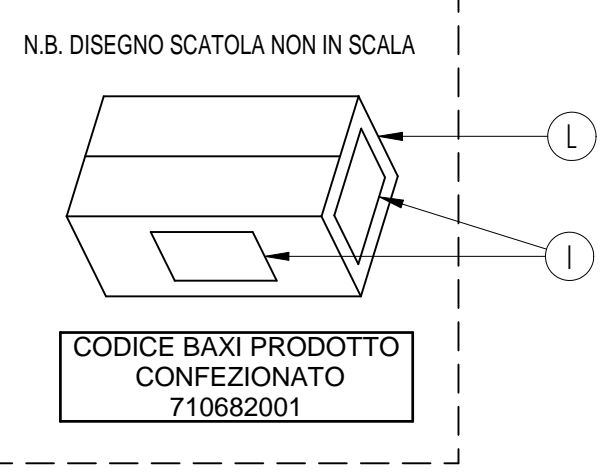
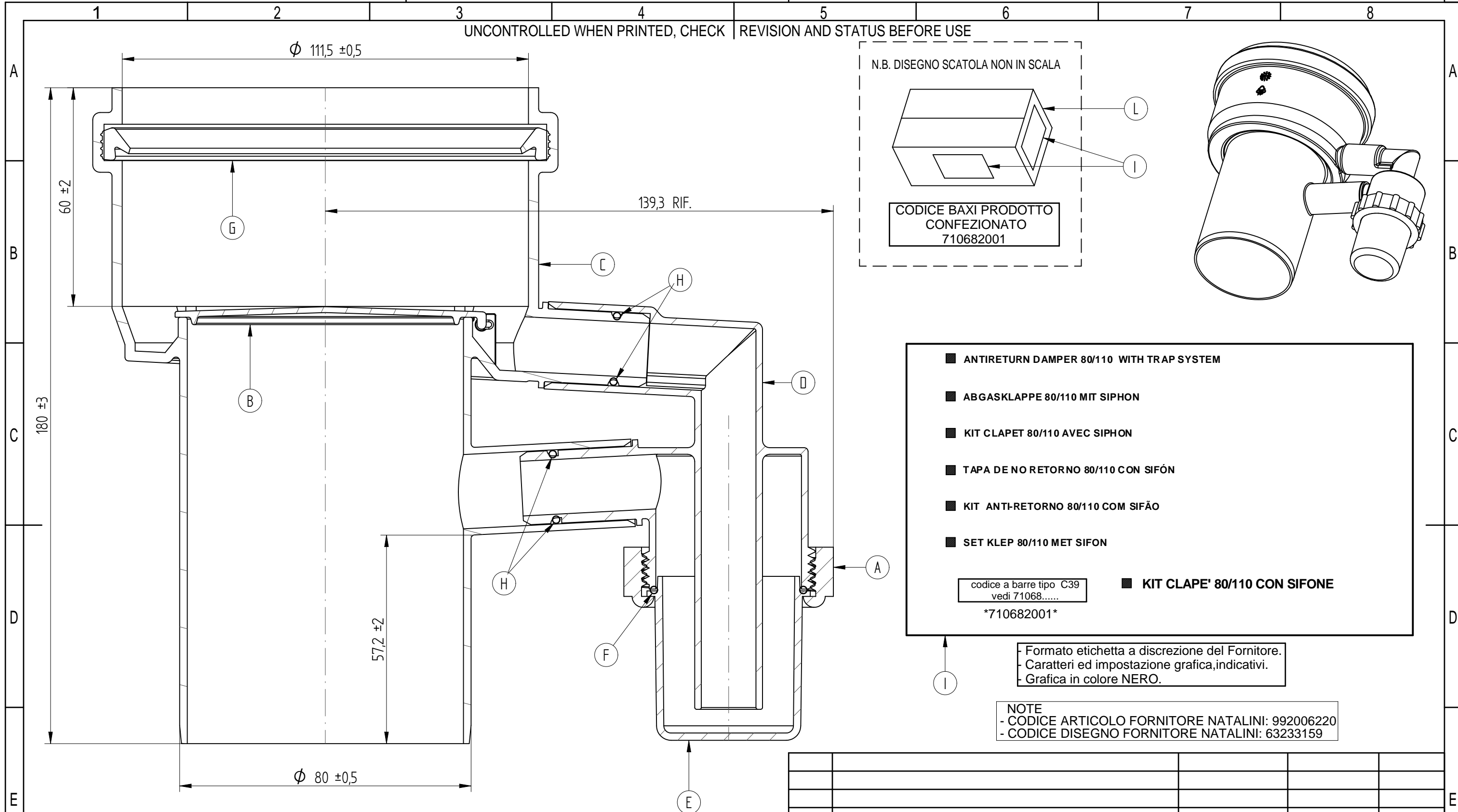


UNCONTROLLED WHEN PRINTED, CHECK REVISION AND STATUS BEFORE USE



- ANTIRETURN DAMPER 80/110 WITH TRAP SYSTEM
  - ABGASKLAPPE 80/110 MIT SIPHON
  - KIT CLAPET 80/110 AVEC SIPHON
  - TAPA DE NO RETORNO 80/110 CON SIFÓN
  - KIT ANTI-RETORNO 80/110 COM SIFÃO
  - SET KLEP 80/110 MET SIFON
  - KIT CLAPE' 80/110 CON SIFONE
- codice a barre tipo C39  
vedi 71068.....  
\*710682001\*

Formato etichetta a discrezione del Fornitore.  
Caratteri ed impostazione grafica, indicativi.  
Grafica in colore NERO.

NOTE  
- CODICE ARTICOLO FORNITORE NATALINI: 992006220  
- CODICE DISEGNO FORNITORE NATALINI: 63233159

1	7107239	492003010	FOGLIO ISTRUZIONE CASCATE 50-110	
1		230000601	SILICONE GREASE MONODOSE 2,5 GRAMMI	
L	1	341302480	SCATOLA 19x19x20	
I	2	521147870	ETICHETTA BAXI 710682001	
H	2	422002670	O-RING d.16x2 EPDM NERO OMOL	EPDM 65 ABR EN 14241-1:2005 E-Classe T140 W2 K2 I
G	1	422002530	O-RING d.110 EPDM OMOLOGATO	EPDM 70 ABR EN 14241-1:2005 E-Classe T140 W2 K2 I
F	1	422002460	GUARNIZIONE C.2/d.i.39 NBR70	NBR 70 NERO
E	1	421005090	TAPPO x SIFONE CLAPE'	HOSTALEN PPH 2150 TRASL
D	1	421005080	SIFONE PER CLAPE' 110	HOSTALEN PP H2150 TRASL.
C	1	421004490	CLAPE' 110/80 MF ORL x SIF. TRASL.	HOSTALEN PP H2150 TRASL.
B	1	421004430	TAPPO PER CLAPE' 110 BLU RAL 5002	PP 15% TALCO RAL 5002
A	1	421003740	Ghiera filettata G1 1/2-Moplen	MOPLEN BIANCO
POS.	Q.TA'	CODICE BAXI	COD. ARTICOLO	DESCRIZIONE

REVISION	MODIFICATION	ENGINEER	REFERS TO	DATE																																	
<b>BAXI S.p.A.</b>		RELEASE STATUS. <b>Production</b>	ITEM NUMBER. <b>7106820,01</b>	REVISION.																																	
A MEMBER OF BAXI GROUP		ENGINEER. <b>Ceccato</b>	DATE. <b>08-Apr-11</b>	SHEET No. <b>1 of 1</b>																																	
© 2009	TITLE. <b>CLAPE' 80-110 CON SIFONE</b>																																				
UNITS. mm	SCALE. 1:1	MATERIAL SPECIFICATION.																																			
FIRST ANGLE PROJECTION.		TOLERANCE TO EN 22768 - mK UNLESS OTHERWISE SPECIFIED		QUALITY SIGNIFICANCE. [C]=CRITICAL [I]=IMPORTANT																																	
<table border="1"> <tr> <td>CLASS m</td> <td>0,5-3</td> <td>3-6</td> <td>6-30</td> <td>30-120</td> <td>120-400</td> <td>400-1m</td> </tr> <tr> <td>LINEAR</td> <td>±0,1</td> <td>±0,1</td> <td>±0,2</td> <td>±0,3</td> <td>±0,5</td> <td>±0,8</td> </tr> <tr> <td>RADI &amp; CHAMFERS</td> <td>±0,4</td> <td>±1</td> <td colspan="4">±2</td> </tr> </table>		CLASS m	0,5-3	3-6	6-30	30-120	120-400	400-1m	LINEAR	±0,1	±0,1	±0,2	±0,3	±0,5	±0,8	RADI & CHAMFERS	±0,4	±1	±2				<table border="1"> <tr> <td>CLASS m</td> <td>upto 10</td> <td>10-50</td> <td>50-120</td> <td>120-400</td> <td>400+</td> </tr> <tr> <td>ANGULAR</td> <td>±1°</td> <td>±0°30'</td> <td>±1°20'</td> <td>±1°10'</td> <td>±1°5'</td> </tr> </table>		CLASS m	upto 10	10-50	50-120	120-400	400+	ANGULAR	±1°	±0°30'	±1°20'	±1°10'	±1°5'	ITEM CATEGORY (1, 2 OR 3)
CLASS m	0,5-3	3-6	6-30	30-120	120-400	400-1m																															
LINEAR	±0,1	±0,1	±0,2	±0,3	±0,5	±0,8																															
RADI & CHAMFERS	±0,4	±1	±2																																		
CLASS m	upto 10	10-50	50-120	120-400	400+																																
ANGULAR	±1°	±0°30'	±1°20'	±1°10'	±1°5'																																
		[3]		A3																																	