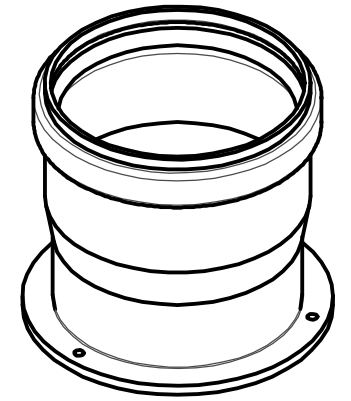
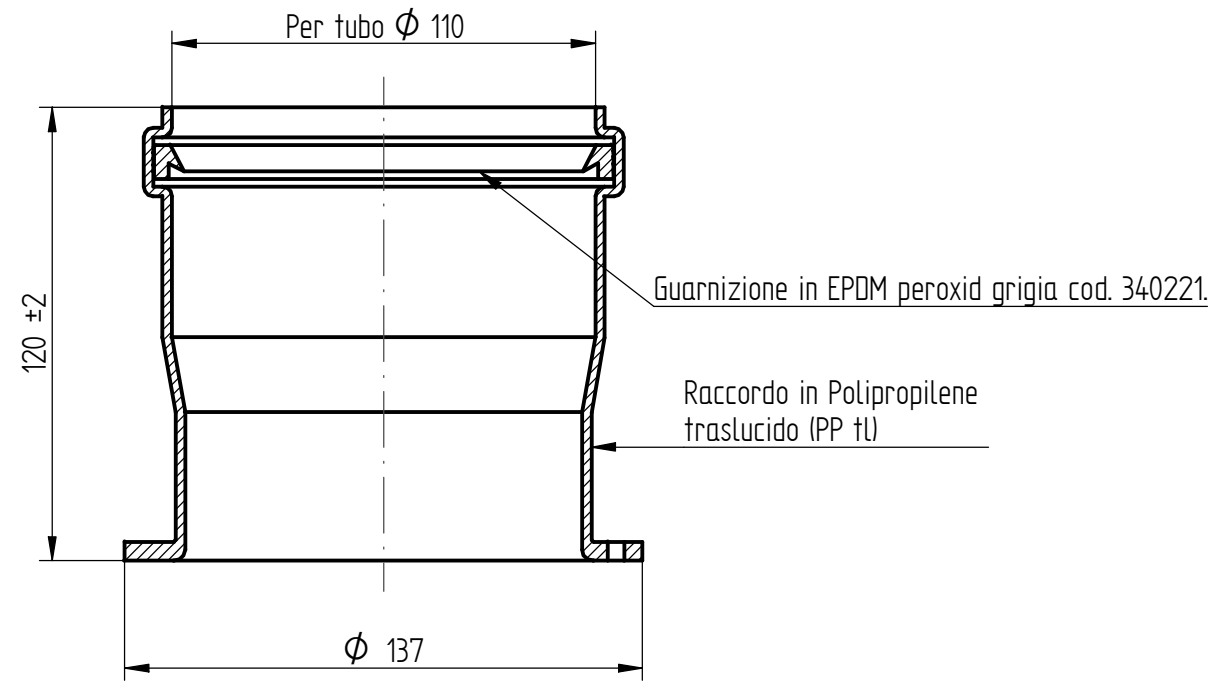
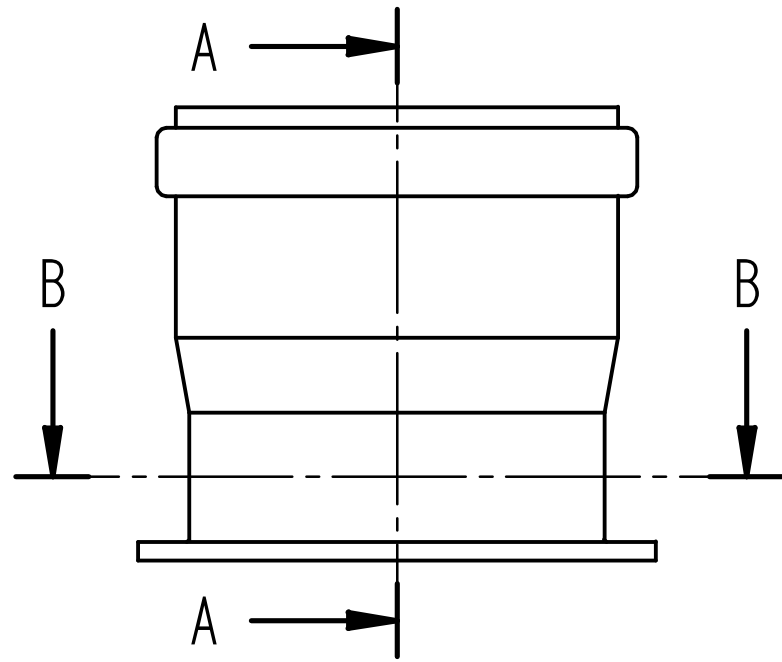
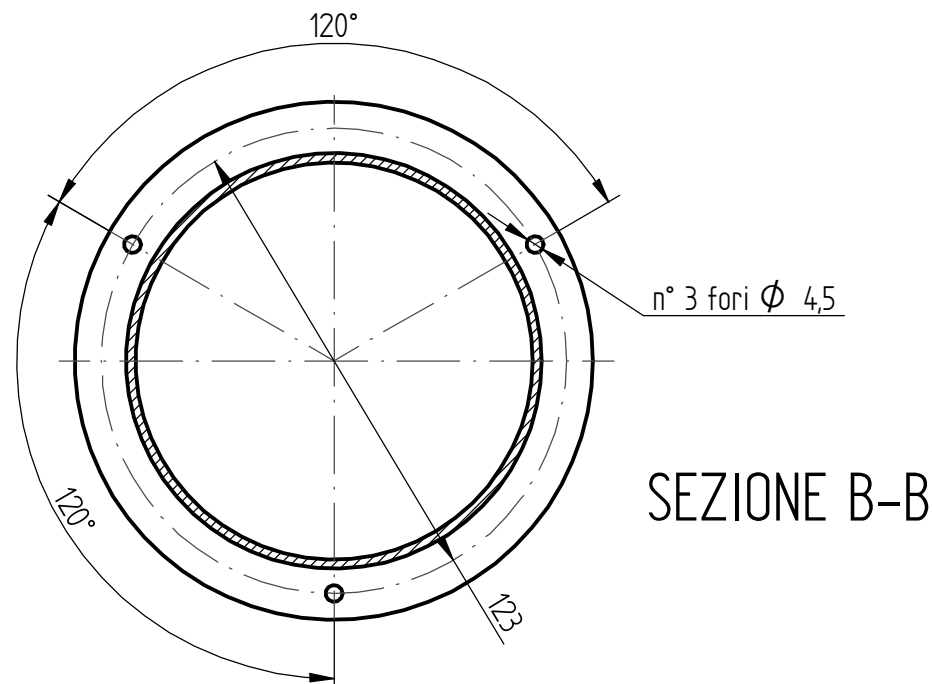
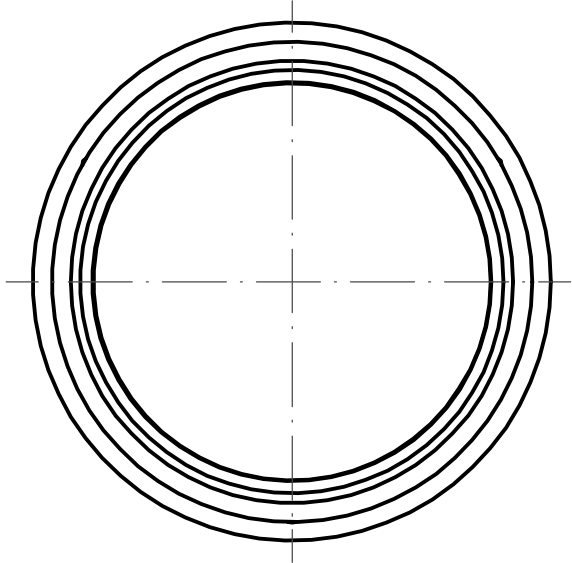


UNCONTROLLED WHEN PRINTED, CHECK REVISION AND STATUS BEFORE USE



SEZIONE A-A



SEZIONE B-B

Fornitore: CENTROTHERM

REVISION	MODIFICATION	ENGINEER	REFERS TO	DATE																																		
BAXI S.p.A.		RELEASE STATUS. Production	ITEM NUMBER. 7106289,01	REVISION.																																		
A MEMBER OF BAXI GROUP		ENGINEER. Ceccato	DATE. 27-Jan-11	SHEET No. 1 of 1																																		
© 2009	TITLE. RACCORDO ASP.ARIA D.110																																					
UNITS. mm	SCALE. 1:2	MATERIAL SPECIFICATION.																																				
FIRST ANGLE PROJECTION.	TOLERANCE TO EN 22768 - mK UNLESS OTHERWISE SPECIFIED	<table border="1"> <tr> <td>CLASS m</td> <td>0,5-3</td> <td>3-6</td> <td>6-30</td> <td>30-120</td> <td>120-400</td> <td>400-1m</td> </tr> <tr> <td>LINEAR</td> <td>$\pm 0,1$</td> <td>$\pm 0,1$</td> <td>$\pm 0,2$</td> <td>$\pm 0,3$</td> <td>$\pm 0,5$</td> <td>$\pm 0,8$</td> </tr> <tr> <td>RADI & CHAMFERS</td> <td>$\pm 0,4$</td> <td>± 1</td> <td colspan="4">± 2</td> </tr> <tr> <td>CLASS m</td> <td>upto 10</td> <td>10-50</td> <td>50-120</td> <td>120-400</td> <td>400+</td> <td></td> </tr> <tr> <td>ANGULAR</td> <td>$\pm 1^\circ$</td> <td>$\pm 1^\circ 30'$</td> <td>$\pm 1^\circ 20'$</td> <td>$\pm 1^\circ 10'$</td> <td>$\pm 1^\circ 5'$</td> <td></td> </tr> </table>	CLASS m	0,5-3	3-6	6-30	30-120	120-400	400-1m	LINEAR	$\pm 0,1$	$\pm 0,1$	$\pm 0,2$	$\pm 0,3$	$\pm 0,5$	$\pm 0,8$	RADI & CHAMFERS	$\pm 0,4$	± 1	± 2				CLASS m	upto 10	10-50	50-120	120-400	400+		ANGULAR	$\pm 1^\circ$	$\pm 1^\circ 30'$	$\pm 1^\circ 20'$	$\pm 1^\circ 10'$	$\pm 1^\circ 5'$		QUALITY SIGNIFICANCE. [C]=CRITICAL [I]=IMPORTANT ITEM CATEGORY (1, 2 OR 3)
CLASS m	0,5-3	3-6	6-30	30-120	120-400	400-1m																																
LINEAR	$\pm 0,1$	$\pm 0,1$	$\pm 0,2$	$\pm 0,3$	$\pm 0,5$	$\pm 0,8$																																
RADI & CHAMFERS	$\pm 0,4$	± 1	± 2																																			
CLASS m	upto 10	10-50	50-120	120-400	400+																																	
ANGULAR	$\pm 1^\circ$	$\pm 1^\circ 30'$	$\pm 1^\circ 20'$	$\pm 1^\circ 10'$	$\pm 1^\circ 5'$																																	
			3	A3																																		