

**BAXI**



**Slim UB**

**SPARE PARTS CATALOGUE**

**- October 2015 -**



# HOW TO READ THE SPARE PARTS CATALOGUE

In the spare part catalogue, after the exploded diagrams, there are the components lists of the boilers; this is the meaning of the different columns:

Pos.	Identification number of the component in the exploded diagram of the boiler.
Description	Short description of the component.
Code	BAXI S.p.A. code of the component.
Tab. XX	XX is the exploded diagram number of the boiler taken into consideration.

## Until 31th December 2011

From serial number	Date (year and week) identifying the beginning of production of a component (taken from the serial number of the boiler). e.g. B005: year 2000 (B identifies the decade 2000-2009; 0 identifies the year) – 5th week. If the box is empty, the component is in use from the beginning of production of the boiler.
To serial number	Date (year and week) identifying the end of production of a component (taken from the serial number of the boiler). e.g. B012: year 2000 (B identifies the decade 2000-2009; 0 identifies the year) – 12th week. If the box is empty, the component is still in use.
Interchangeable	It identifies the interchangeability between the new component and the old one. YES: components are interchangeable. NO: components are not interchangeable.

## From 1st January 2012

From serial number	Date (year and week) identifying the beginning of production of a component (taken from the serial number of the boiler). e.g. 1201: year 2012 (1 identifies the decade 2010-2019; 2 identifies the year) – 01th week. If the box is empty, the component is in use from the beginning of production of the boiler.
To serial number	Date (year and week) identifying the end of production of a component (taken from the serial number of the boiler). e.g. 1225: year 2012 (1 identifies the decade 2010-2019; 2 identifies the year) – 25th week. If the box is empty, the component is still in use.
Interchangeable	It identifies the interchangeability between the new component and the old one. YES: components are interchangeable. NO: components are not interchangeable.

## TABELLA COLLEGAMENTO CODICE CALDAIA - ESPLOSO TABLEAU CONNECTION CODEX CHAUDIERE - VUE ECLATEE BOILERS CONNECTION BOARD - EXPLODED VIEW

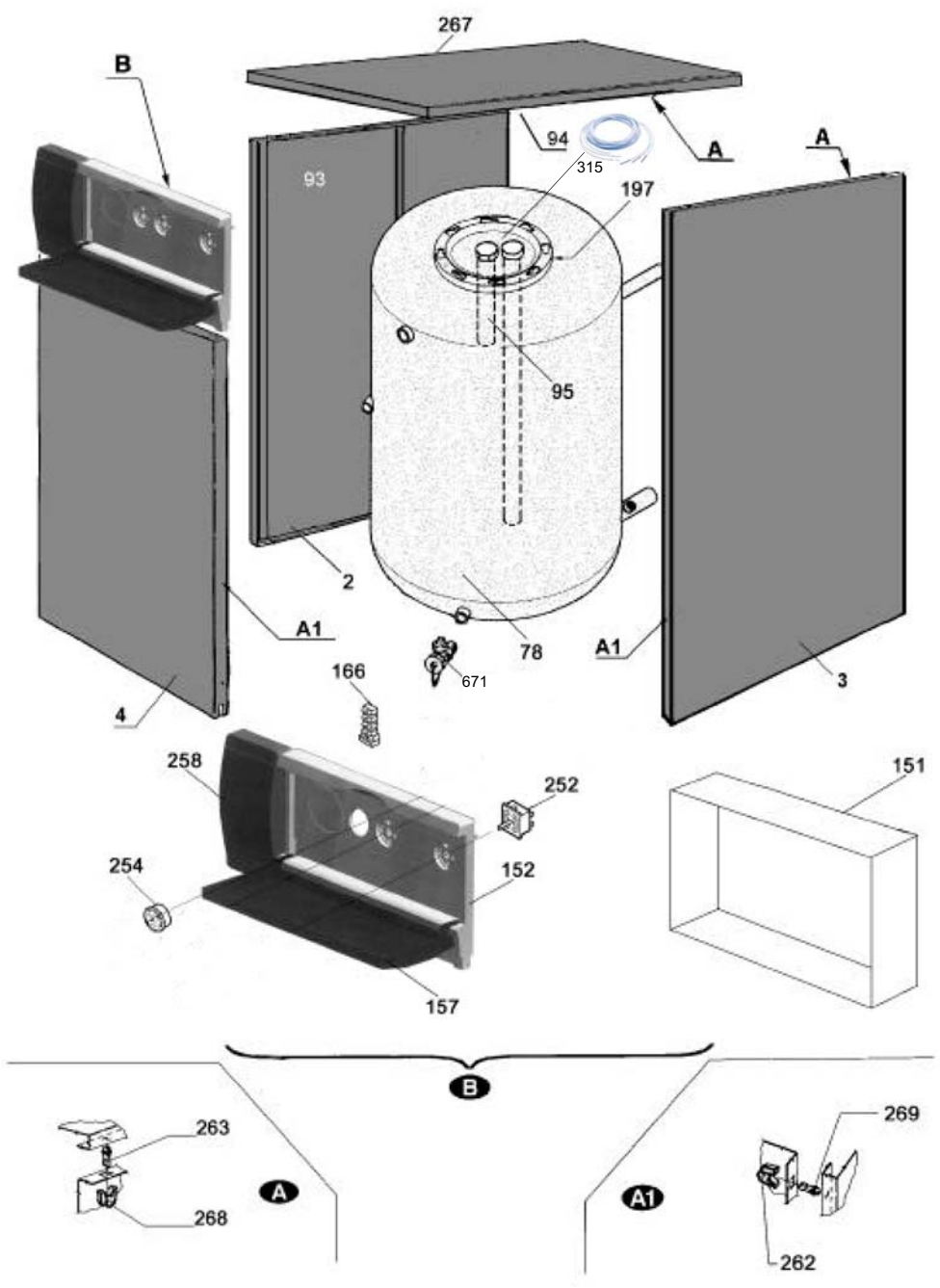
BOILER CODE	BOILER DESCRIPTION	EXPLODED REF.
CODICE CALDAIA	DESCRIZIONE CALDAIA	RIF. ESPLOSO
CODIGO CALDERA	DESCRIPCION CALDERA	REF. EXPLOSIONADO
CODE CHAUDIÈRE	DESCRIPTION CHAUDIÈRE	RÉF. EXPLOSÉE
KSW714122510/1/2/3	SLIM UB 120	Tab 391
KSW714122410/1/2/3	SLIM UB 80	Tab 391

## Slim UB - Slim UB inox

27/10/2015

Pos	Code	Descrizione	Description code	KSW714122410/1/2/3	KSW714122510/1/2/3	To serial number	From serial number	Interchangeable:
				UB 80	UB 120			
2	3618950	GR.SPAL.SX SLIM UB80 9007	LEFT PANEL SLIM UB80	•				
2	3618990	GR.SP.SX SLIM UB 120 9007	LEFT PANEL SLIM UB 120		•			
3	3618940	GR.SPAL.DX.SLIM UB80 9007	RIGHT PANEL SLIM UB80	•				
3	3618980	GR.SP.DX SLIM UB 120 9007	RIGHT PANEL SLIM UB 120		•			
4	3618960	GR.PORTINA SLIM UB80 9007	PANEL SLIM UB80	•				
4	3618970	GR.PORTINA SLIMUB120 9007	DOOR SLIM UB 120		•			
78	3610760	BOILER FLANGIATO-LUNA UB 80-	STORAGE TANK ASSEMBLY	•		C133		
78	3610780	BOILER FLANGIATO-LUNA UB 120-	STORAGE TANK ASSEMBLY		•	C133		
78	711109400	GR.BOLL.80L CON ISOL.E RUBIN.	ISOLATED TANK ASS. 80L /TAP	•			C134	YES
78	711109500	GR.BOLL.120L CON ISOL.E RUBIN.	ISOLATED TANK ASS. 120L /TAP		•		C134	YES
93	3202210	ISOL.LAT.BOILER-LUNA UB 80-	SIDE INSULATION	•				
93	3202220	ISOL.LAT.BOILER-LUNA UB 120-	SIDE INSULATION		•			
94	3202190	ISOL.SUP.BOILER-LUNA UB 80-	TOP INSULATION	•		1229		
94	3202200	ISOL.SUP.BOILER-LUNA UB 120-	TOP INSULATION		•	1229		
95	3609530	GR.ANODO D20X300 MAGNESIO G3/4	ANODE 20X300	•				
95	3610880	GR.ANODO D.22X400 G3/4	ANODE D. 22X400 G3/4		•			
151	3401610	COPERCHIO COMANDI 2000	CONTROL PANEL COVER 2000	•	•			
152	3628450	CRUSC.SERIGR.SLIM UB 80/120	PRINT.CONT.PAN. SLIM UB 80/120	•	•			
157	3401620	ANTINA CRUSCOTTO 2000/1	CONTROL PANEL DOOR	•	•			
166	5688410	ASS.MORS.5POLI C/FUSIBILE 2A	TERMIN.BOARD WITH FUSE HOLD.2A	•	•			
197	3401040	GUARNIZ.FLANGIA-LUNA UB 80/120	FLANGE GASKET	•	•			
252	8434550	COMMUT.ROTATIVO GOTTA 4 POSIZ	SELECTOR SWITCH (4 POSITION)	•	•			
254	8922420	ASS.TERMOMETRO C/SUPPORTO	THERMOMETER	•	•	1434		
254	8922510	ASS.MANOM.0°-120°C/SUPP	THERMOMETER	•	•		1435	YES
258	3401630	PROLUNGA CRUSC.L-100 2001	CONTROL PANEL EXTENSION	•				
258	3401640	PROLUNGA CRUSC.L-250 2001	CONTROL PANEL EXTENSION		•			
262	3400400	CHIUSURA F.FASTPOINT 0191.AA01	CLIP - DOOR PANEL - FEMALE	•	•			
263	3400390	CHIUSURA M.FASTPOINT 0194.AA01	CLIP - TOP PANEL - MALE	•	•			
267	3109250	CAPPELLO SLIM UB 80 9007	TOP PANEL	•				
267	3109260	CAPPELLO SLIM UB 120 9007	TOP PANEL SLIM UB 120		•			
268	3400380	CHIUSURA F.FASTPOINT 0193.AA01	CLIP - SIDE PANELS - FEMALE	•	•			
269	3400410	CHIUSURA M.FASTPOINT 0192.AA01	CLIP - SIDE PANELS - MALE	•	•	B902		
269	3402700	CHIUSURA.FASTPOINT 5589AA01	CLIP - SIDE PANELS - MALE	•	•		B903	YES
315	8434260	SONDA A CONTATTO	TEMPERATURE SENSOR - DHW	•	•			
671	5646780	RUBINETTO SCARICO-COPPER G1/2	DRAINING TAP G 1/2 (COPPER)	•	•			
999	8611880	CAVO COLLEG. CALDAIA/U.B.	BOILER/UB CONNECTION CABLE	•	•			
999	8611970	ASS.CABL.SONDA/POMPA SAN.	CABLE ASSEMBLY SENSOR/PUMP DHW	•	•			
999	8620250	CONNETTORE EP6M C/COPERT. EP6G	EP6M CONNECTOR	•	•			

# Tab 391



**BAXI**

**BAXI S.p.A.**  
**Via Trozzetti, 20**  
**36061 BASSANO DEL GRAPPA (VI)**  
**ITALY**  
**Tel. +390424517111**  
**Telefax +390424517379**  
**E-mail. [service@baxi.it](mailto:service@baxi.it)**