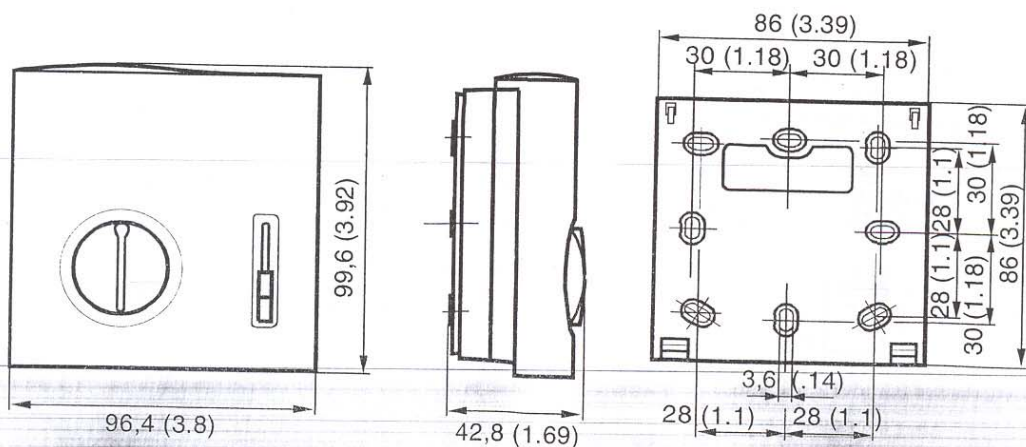
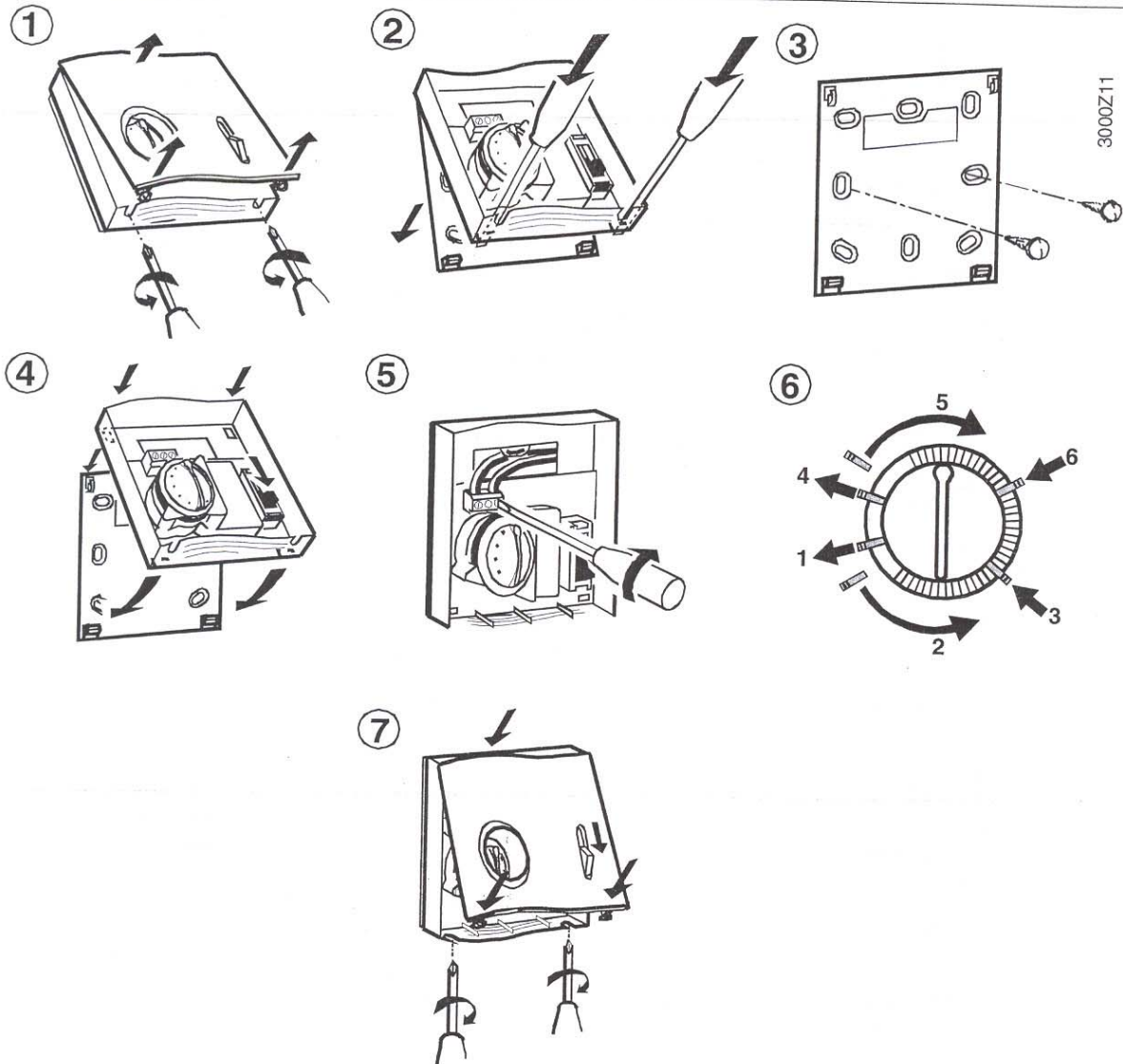


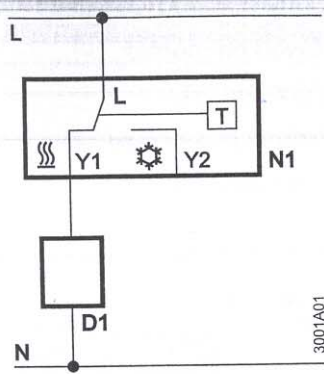
de Installationsanleitung	es Instrucciones de montaje	el Οδηγίες Εγκατάστασης
en Installation Instructions	pt Instruções de montagem	sk Návod na montáž
fr Instructions d'installation	sv Installationsanvisning	cs Montážní list
it Istruzioni di montaggio	fi Asennusohje	pl Instrukcja montażu
nl Installatie-aanwijzing	da Installationsvejledning	hu Telepítési leírás
zh 安装说明书		

RAA...

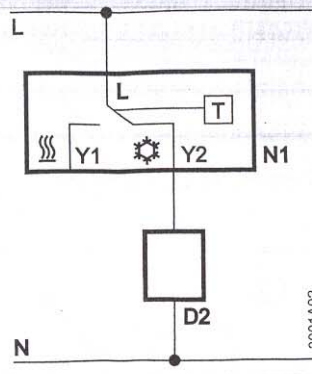


Dimensions in mm (inches)

RAA10



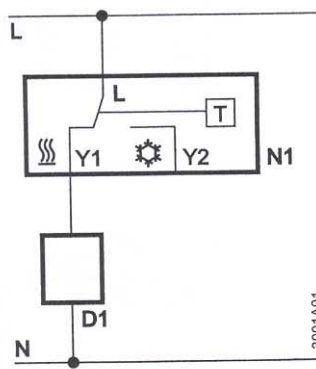
3001A01



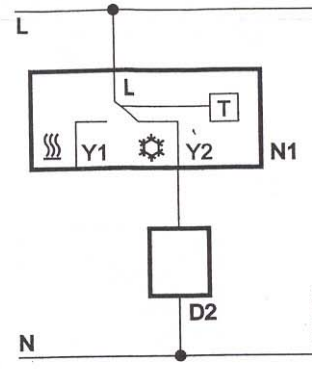
3001A02

- D1 Zone valve or thermal valve for heating
- D2 Zone valve or thermal valve for cooling
- L Switching voltage AC 24...250 V
- N1 Room thermostat
- Y1 Control output "Heating", AC 24...250 V
- Y2 Control output "Cooling", AC 24...250 V
- N Neutral
- T Thermostat element (gas-filled diaphragm)

RAA20



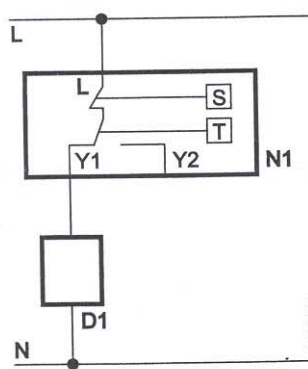
3001A01



3001A02

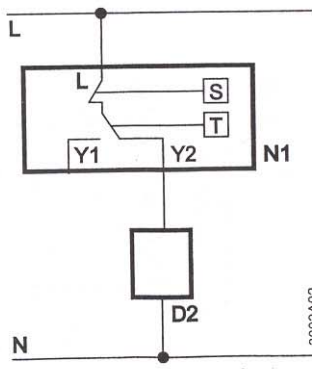
- D1 Zone valve or thermal valve for heating
- D2 Zone valve or thermal valve for cooling
- L Switching voltage AC 24...250 V
- N1 Room thermostat
- Y1 Control output "Heating", AC 24...250 V
- Y2 Control output "Cooling", AC 24...250 V
- N Neutral
- T Thermostat element (gas-filled diaphragm)

RAA30



3003A01

RAA30 - Heating mode

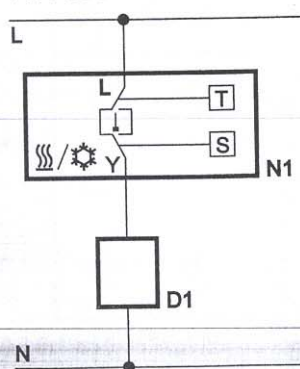


3003A02

RAA30 - Cooling mode

- D1 Zone valve or thermal valve for heating
- D2 Zone valve or thermal valve for cooling
- L Switching voltage AC 24...250 V
- N1 Room thermostat
- S ON/OFF switch
- Y1 Control output "Heating", AC 24...250 V
- Y2 Control output "Cooling", AC 24...250 V
- N Neutral
- T Thermostat element (gas-filled diaphragm)

RAA40



3004A01

- D1 Zone valve or thermal valve
- L Switching voltage AC 24...250 V
- N1 Room thermostat
- S Selector for Heating / OFF / Cooling
- Y Control output "Heating" or "Cooling", AC 24...250 V
- N Neutral
- T Thermostat element (gas-filled diaphragm)