

1000 ±5

N° 10 ASOLE 50X14 A 180°

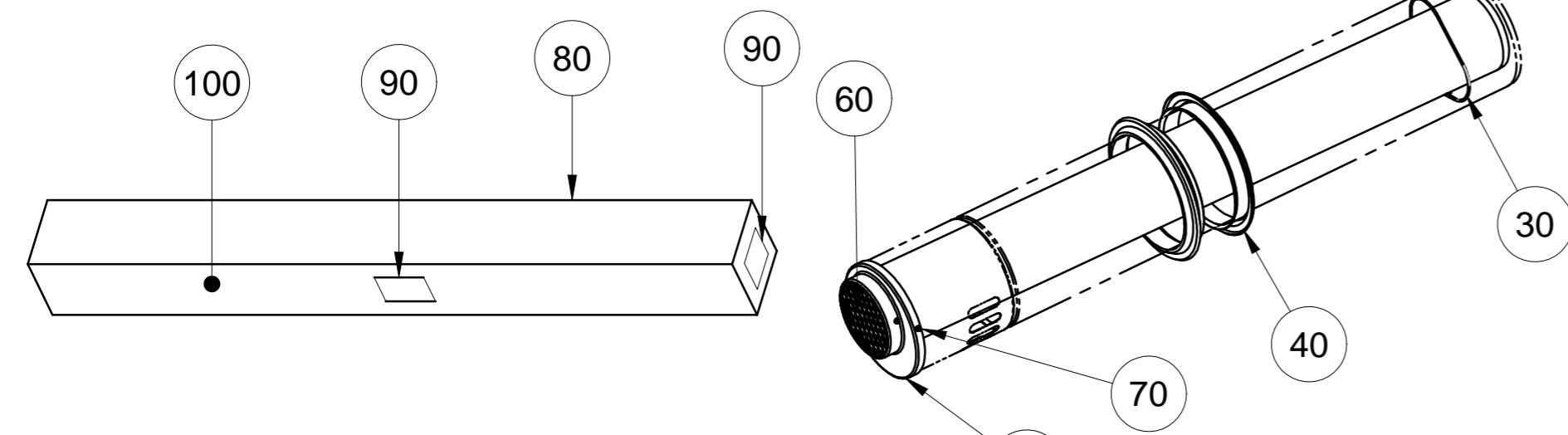
SEZ.A-A

CODICE DISEGNO FORNITORE : 63232852
 CODICE ARTICOLO FORNITORE: 939182730

CODICE PRODOTTO FINITO CONFEZIONATO BAXI: KUG714133310

ETICHETTA INDICATIVA A CURA DEL FORNITORE
 DISEGNO NON IN SCALA

100	926.704.1	FOGLIO ISTRUZIONI KIT KUG714133310	1
90	926.703.1	ETICHETTA IDENTIFICAZIONE KIT KUG714133310	2
80	XXXXXX	SCATOLA IMBALLO KIT 1000x180x180	1
70	XXXXXX	VITE AUTOFILETTANTE 3,5X13 TC Cr ACCIAIO INOX C1 50	4
60	XXXXXX	RETE Ø 110 PER TERMINALE Ø 110/160 IN ACCIAIO INOX	1
50	XXXXXX	TERMINALE DECENTRATO Ø 110/160 PER COND. RAL 9003	1
40	XXXXXX	ROSONE COPRIMURO Ø 160 IN LAMIERA ZINCATA	2
30	XXXXXX	MOLLA A FILO Ø 110X160 IN ACCIAIO C72Zn	1
20	XXXXXX	TUBO LAM. Ø 160X1X976 mm RAL 9003	1
10	XXXXXX	TUBO Ø 110x3x991 mm IN PP MM BIANCO ANTI UV	1
ITEM NO	PART NUMBER	DESCRIPTION	QTY



KUG714133310

- HORIZONTAL FLUE END-PIECE Ø 110/160 mm
- TERMINAL HORIZONTAL Ø 110/160 mm
- WAAGERECHTES KAMINENDSTÜCK Ø 110/160 mm
- TERMINAL CHIMNEA HORIZONTAL Ø 110/160 mm
- TERMINAL CHAMINE' HOIZONTAL Ø 110/160 mm
- TERMINAL CHIMNEY HORIZONTAL Ø 110/160 mm
- TERMINALE CAMINO ORIZZONTALE Ø 110/160 mm

codice a barre tipo C39 vedi KUG71.....
 KUG714133310

926.703.1

DISEGNO SCATOLA E PARTICOLARE NON IN SCALA

REVISION	MODIFICATION	ENGINEER	REFERS TO	DATE																																
BAXI S.p.A. A MEMBER OF BAXI GROUP		RELEASE STATUS: Production	ITEM NUMBER: 570464	REVISION: 01																																
ENGINEER: DALLA COSTA MAURO		DATE: 09-Dec-09	SHEET No. 1 of 1																																	
© 2009		TITLE: TERMINALE CAM. ORIZ. D.110-160																																		
UNITS:	SCALE:	MATERIAL SPECIFICATION:																																		
mm	1:1	Errore: Nessun riferimento																																		
FIRST ANGLE PROJECTION		TOLERANCE TO EN 22768 - mK UNLESS OTHERWISE SPECIFIED		QUALITY SIGNIFICANCE: [C]=CRITICAL [I]=IMPORTANT																																
		<table border="1"> <tr> <th>CLASS m</th> <th>0.5-3</th> <th>3-6</th> <th>6-30</th> <th>30-100</th> <th>100-400</th> <th>400-1600</th> </tr> <tr> <td>LINEAR</td> <td>±0.1</td> <td>±0.1</td> <td>±0.2</td> <td>±0.3</td> <td>±0.5</td> <td>±0.8</td> </tr> <tr> <td>RADI & CHAMFERS</td> <td>±0.4</td> <td>±1</td> <td colspan="4">±1</td> </tr> <tr> <th>CLASS m</th> <th>0.05-10</th> <th>10-30</th> <th>30-100</th> <th>100-400</th> <th>400+</th> </tr> <tr> <td>ANGULAR</td> <td>±1'</td> <td>±1' 30"</td> <td>±1' 30"</td> <td>±1' 10"</td> <td>±1' 5"</td> </tr> </table>	CLASS m	0.5-3	3-6	6-30	30-100	100-400	400-1600	LINEAR	±0.1	±0.1	±0.2	±0.3	±0.5	±0.8	RADI & CHAMFERS	±0.4	±1	±1				CLASS m	0.05-10	10-30	30-100	100-400	400+	ANGULAR	±1'	±1' 30"	±1' 30"	±1' 10"	±1' 5"	ITEM CATEGORY (1, 2 OR 3)
CLASS m	0.5-3	3-6	6-30	30-100	100-400	400-1600																														
LINEAR	±0.1	±0.1	±0.2	±0.3	±0.5	±0.8																														
RADI & CHAMFERS	±0.4	±1	±1																																	
CLASS m	0.05-10	10-30	30-100	100-400	400+																															
ANGULAR	±1'	±1' 30"	±1' 30"	±1' 10"	±1' 5"																															
		[3]		A2																																